



# Agilent 1181B

## Testmobile System Cart

### Data Sheet

#### Add mobility to your instruments

The Agilent 1181B testmobile system cart provides convenient mobility of test equipment to make it readily available when needed and effectively extend the amount of lab bench space. Allows several operators to cost effectively share expensive equipment.

#### Features

- Rackmount any 19" EIA instrument up to 24" deep
- Ergonomic design, test equipment is operator-accessible whether seated or standing
- Heavy-duty casters make moving instruments easy
- Includes a steel buckle and nylon strap to secure instruments to the cart
- Attractive quartz gray color
- Tilt tray adjusts 30-plus degrees for viewing comfort

#### Specifications

- Material: Cold-rolled steel
- Weight: 44.5 kg (98 lbs)
- Casters: 127 mm (5 in) diameter
- Color: Quartz gray
- Tilt Tray Load Capacity: 90.7 kg (200 lbs)
- Total Load Capacity: 226.8 kg (500 lbs)
- Tilt Tray Width: 559 mm (22 in)
- Tilt Tray Depth: 660 mm (26 in)

#### Installation

The 1181B is shipped virtually assembled except for its handle. Place the handle in the rear top of the cart and secure with screws provided. Attach the nylon strap on the slots of the instrument tray and thread through buckle.

Tools required for installation:

- Torx T25 screwdriver

#### What you get in the box

- System cart assembly with tray and casters
- Torx T25 screwdriver
- Tubular handle
- One set of support rails
- All mounting hardware
- Nylon strap with steel buckle
- Installation instructions



#### What changed

- Color changed from parchment white to quartz gray

#### Related Products

Other testmobiles available are:

- 1180C – Agilent testmobile scope cart
- 1182B – Agilent testmobile instrument cart



Agilent Technologies

### Optional Accessories

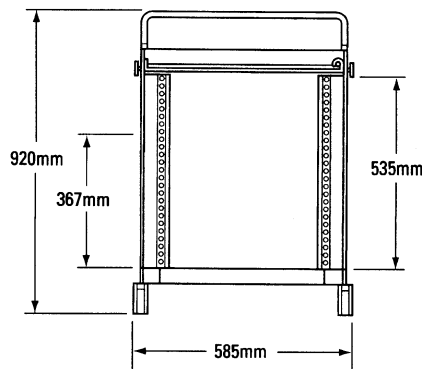
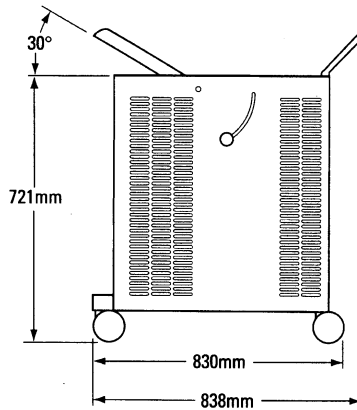
35181H	Printer/plotter stand
35181N	Keyboard shelf
35181J	Drawer, 3.5 inch
35181K	Testmobile work surface
35181E	Antistatic mat for 35181K
35181M	Drawer, 5.25 inch
5181-8723	Support cover/shelf for drawers
5957-8476	Angle rails for rackmounting

### Replacement Parts

1530-2228	Tie-down assembly strap
1492-0153	Caster, swivel with brake

### Warranty

90 day replacement



### Agilent Technologies' Test and Measurement Support, Services, and Assistance

Agilent Technologies aims to maximize the value you receive, while minimizing your risk and problems. We strive to ensure that you get the test and measurement capabilities you paid for and obtain the support you need. Our extensive support resources and services can help you choose the right Agilent products for your applications and apply them successfully. Every instrument and system we sell has a global warranty. Support is available for at least five years beyond the production life of the product. Two concepts underlie Agilent's overall support policy: "Our Promise" and "Your Advantage."

#### Our Promise

"Our Promise" means your Agilent test and measurement equipment will meet its advertised performance and functionality. When you are choosing new equipment, we will help you with product information, including realistic performance specifications and practical recommendations from experienced test engineers. When you use Agilent equipment, we can verify that it works properly, help with product operation, and provide basic measurement assistance for the use of specified capabilities, at no extra cost upon request. Many self-help tools are available.

#### Your Advantage

"Your Advantage" means that Agilent offers a wide range of additional expert test and measurement services, which you can purchase according to your unique technical and business needs. Solve problems efficiently and gain a competitive edge by contracting with us for calibration, extra-cost upgrades, out-of-warranty repairs, and on-site education and training, as well as design, system integration, project management, and other professional services. Experienced Agilent engineers and technicians worldwide can help you maximize your productivity, optimize the return on investment of your Agilent instruments and systems, and obtain dependable measurement accuracy for the life of those products.

**Get assistance with all your test and measurement needs at:**  
[www.agilent.com/find/assist](http://www.agilent.com/find/assist)

Product specifications and descriptions in this document subject to change without notice.

© Agilent Technologies, Inc. 2003  
 Printed in U.S.A. May 19, 2003  
 5988-2772EN