



5300 Beethoven Street, Los Angeles, CA 90066
 TEL: (310)306-5556 • FAX: (310)821-7413
 WEB: www.ophirrf.com • E-MAIL: sales@ophirrf.com

MODEL 7003
20 - 6000 MHz
22 to 50 WATTS
BANDED POWER RF AMPLIFIER

**Solid State
 Broadband High
 Power RF Amplifier**

The 7003 is a multi channel broadband system that covers the 20 – 6000 MHz frequency range with switching capabilities for transmitting into 4 Antennas.

This integrated system provides 22W to 50W power as specified in the spec for any selected frequency range.

The system includes RF high power switches controlled by the system controller. The RS232/ Ethernet and/or Front panel key-pad provides full control of the Antenna interface and reduces the power consumption to the minimum by shutting down the un-selected channels.

	<u>Parameter</u>	<u>Specification @ 25° C</u>
<u>Electrical</u>		
1	Frequency Range	20 – 6000 MHz
2	Saturated Power Output	22 Watts typ. @ 20 to 1000 MHz 30 Watts typ. @ 1 to 2.5 GHz 50 Watts typ. @ 2.5 to 6 GHz
3	Nominal RF drive for rated power	0 dB typ.
5	Power Output @ P1dB	10 Watts min @ 20 to 1000 MHz 15 Watts typ. @ 1 to 2.5 GHz 30 Watts typ. @ 2.5 to 6 GHz
6	Input VSWR	2:1 max
7	Harmonics	-15 dBc typ. @ 20 to 1000 MHz -20 dBc typ. @ 1 to 6 GHz
8	Spurious Signals	> -60 dBc typical
9	Temperature Protection	Baseplate above 80° C
10	AC Power Consumption (one channel transmits)	250 Watt @ 20 to 1000 MHz 400 Watts @ 1 to 2.5 GHz 600 Watts @ 2.5 to 6 GHz
11	AC Power Input	100-240VAC, 1Ø single Phase
12	Noise Figure	10dBm max
13	Maximum RF Input	10 dBm max
14	Antenna Switching time	50mS max
<u>Mechanical</u>		
15	Dimensions	19" x 26" x 8.75"
16	Weight	80 lb. max
17	Connectors	Type-N
18	Grounding	Chassis
19	Cooling	Internal Forced Air
<u>Environmental</u>		
20	Operating Temperature	0° C to +50° C
21	Operating Humidity	95% Non-condensing
22	Operating Altitude	Up to 10,000' Above Sea Level
23	Shock and Vibration	Normal Truck transport

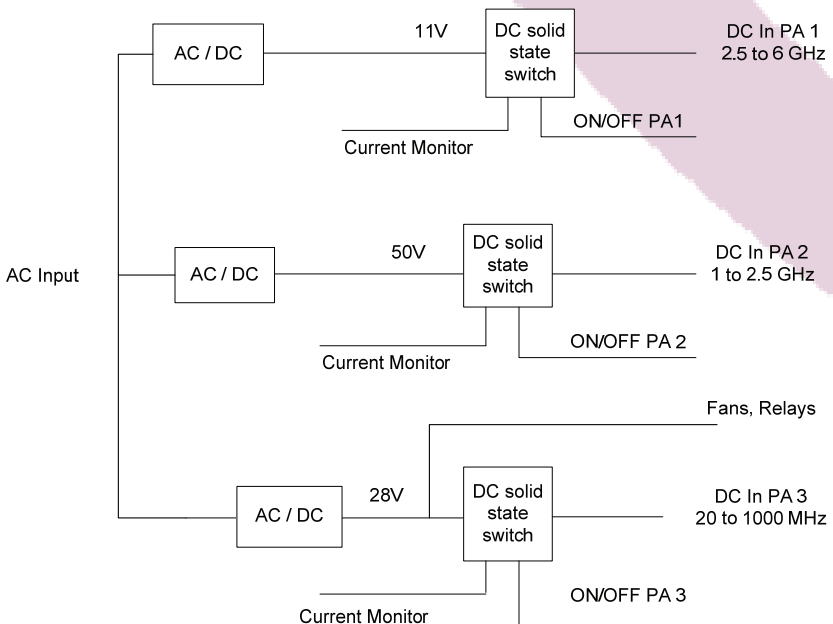
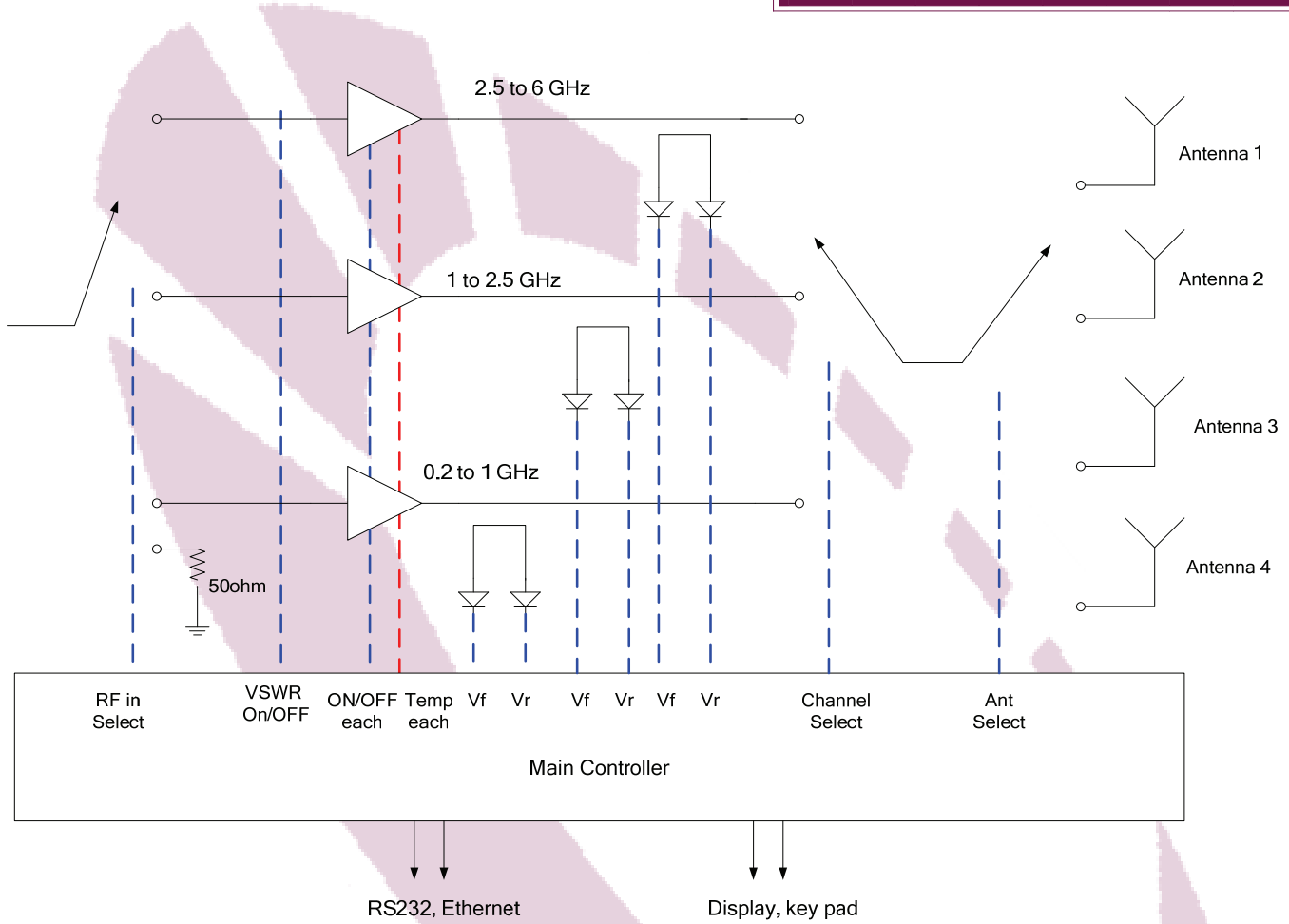
Specifications subject to change without notice





5300 Beethoven Street, Los Angeles, CA 90066
 TEL: (310)306-5556 • FAX: (310)577-9887
 WEB: www.ophirrf.com • E-MAIL: sales@ophirrf.com

MODEL 7003
20 - 6000 MHz
22 to 50 WATTS
BANDED POWER RF AMPLIFIER



CIRCUIT PROTECTIONS

- ◇ Infinite VSWR assuming 35 feet cable
- ◇ Thermal Overload
- ◇ Over Current
- ◇ Over Voltage

CONTROL & INDICATIONS

- ◇ AC Circuit Breaker
- ◇ Antenna Select
- ◇ Band Select
- ◇ Forward power of selected channel
- ◇ Reflected Power of selected channel
- ◇ Heat-sink Temp of selected power
- ◇ Voltage and Current of selected channel