



5300 Beethoven Street, Los Angeles, CA 90066
 TEL: (310)306-5556 • FAX: (310)821-7413
 WEB: www.ophirrf.com • E-MAIL: sales@ophirrf.com

MODEL 7010
700 - 6000 MHz
15 WATTS
BANDED POWER RF AMPLIFIER

**Solid State
 Broadband High
 Power RF Amplifier**

The 7010 is a dual channel broadband system that covers the 700MHz – 6000 MHz frequency range in a single Antenna port.

The system includes RF high power switch controlled by the system controller. The IEEE-488, RS232, Ethernet and/or Front panel key-pad provides full control of the HPA and reduces the power consumption to the minimum by shutting down the un-selected channel.

	<u>Parameter</u>	<u>Specification @ 25° C</u>
<u>Electrical</u>		
1	Frequency Range	700MHz – 6000 MHz
2	Output Power at Saturation	15W typ. (both Channels)
3	Output Power at 1dB compression	10W min. @ Channel 1 5W min. @ Channel 2
4	Nominal RF drive for rated power	0 dB typ.
5	Input VSWR	2:1 max
6	Harmonics	-20 dBc typ.
7	Spurious Signals	> -60 dBc typical
8	Temperature Protection	Baseplate above 80° C
9	AC Power Consumption (one channel transmits)	300W
10	AC Power Input	100-240VAC 1 Ø
11	Maximum RF Input	+3 dBm max
12	Band Switching time	100mS max
<u>Mechanical</u>		
13	Dimensions	19" x 5.25" x 20"
14	Weight	50 lb. max
15	Connectors	Type-N
16	Grounding	Chassis
17	Cooling	Internal Forced Air
<u>Environmental</u>		
18	Operating Temperature	0° C to +50° C
19	Operating Humidity	95% Non-condensing
20	Operating Altitude	Up to 10,000' Above Sea Level
21	Shock and Vibration	Normal Truck transport

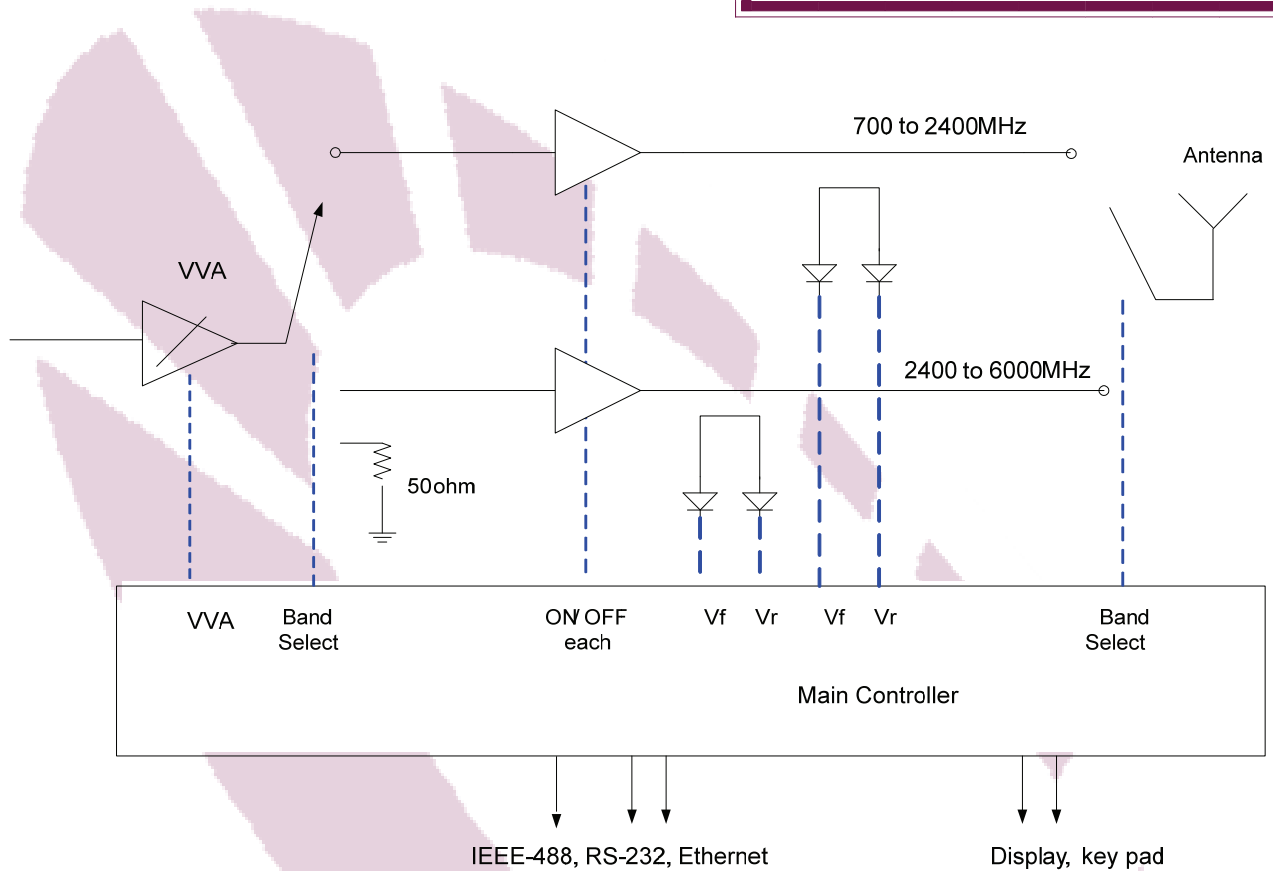
Specifications subject to change without notice





5300 Beethoven Street, Los Angeles, CA 90066
TEL: (310)306-5556 • FAX: (310) 821-7413
WEB: www.ophirrf.com • E-MAIL: sales@ophirrf.com

MODEL 7010
700MHz - 6000 MHz
15 WATTS
BANDED POWER RF AMPLIFIER



CIRCUIT INDICATIONS

- ◇ Forward Power
- ◇ Reflected power
- ◇ VSWR Fault
- ◇ Temp Fault
- ◇ Gain Setting (VVA) percentage

CIRCUIT CONTROL

- ◇ Standby (amplifier disable)
- ◇ Gain/power setting with 25dB range
- ◇ Temp Fault
- ◇ Band Selection

CIRCUIT PROTECTIONS

- ◇ Infinite VSWR
- ◇ Thermal Overload
- ◇ Over Current
- ◇ Over Voltage