



5300 Beethoven Street, Los Angeles, CA 90066
 TEL: (310)306-5556 • FAX: (310)821-7413
 WEB: www.ophirrf.com • E-MAIL: sales@ophirrf.com

MODEL 7018
10KHz - 1000 MHz
100 WATTS
BANDED POWER RF AMPLIFIER

**Solid State
 Broadband High
 Power RF Amplifier**

The 7018 is a multi channel broadband system that covers the 10KHz – 1000 MHz frequency range with 100 watts of Saturated Power minimum.

This integrated system provides power across two separate bands 10KHz to 200MHz and 20-1000MHz frequency range.

The system includes RF high power switches controlled by the system controller. The RS232/ Ethernet and/or Front panel key-pad provides full control of the Antenna interface and reduces the power consumption to the minimum by shutting down the un-selected channels.

	<u>Parameter</u>	<u>Specification @ 25° C</u>
<u>Electrical</u>		
1	Frequency Range	10KHz – 1000 MHz
2	Saturated Power Output	100 Minimum
3	Nominal RF drive for rated power	0 dB typ.
4	Input VSWR	2:1 max
5	Harmonics	-15 dBc typ.
6	Spurious Signals	> -60 dBc typical
7	Temperature Protection	Baseplate above 80° C
8	AC Power Consumption (one channel transmits)	1250 Watts maximum
9	AC Power Input	100-240VAC, 1Ø single Phase
10	Maximum RF Input	10 dBm max
11	Antenna Switching time	100mS max
<u>Mechanical</u>		
12	Dimensions	19" x 26" x 12.25"
13	Weight	150 lb. max
14	Connectors	Type-N
15	Grounding	Chassis
16	Cooling	Internal Forced Air
<u>Environmental</u>		
17	Operating Temperature	0° C to +50° C
18	Operating Humidity	95% Non-condensing
19	Operating Altitude	Up to 10,000' Above Sea Level
20	Shock and Vibration	Normal Truck transport

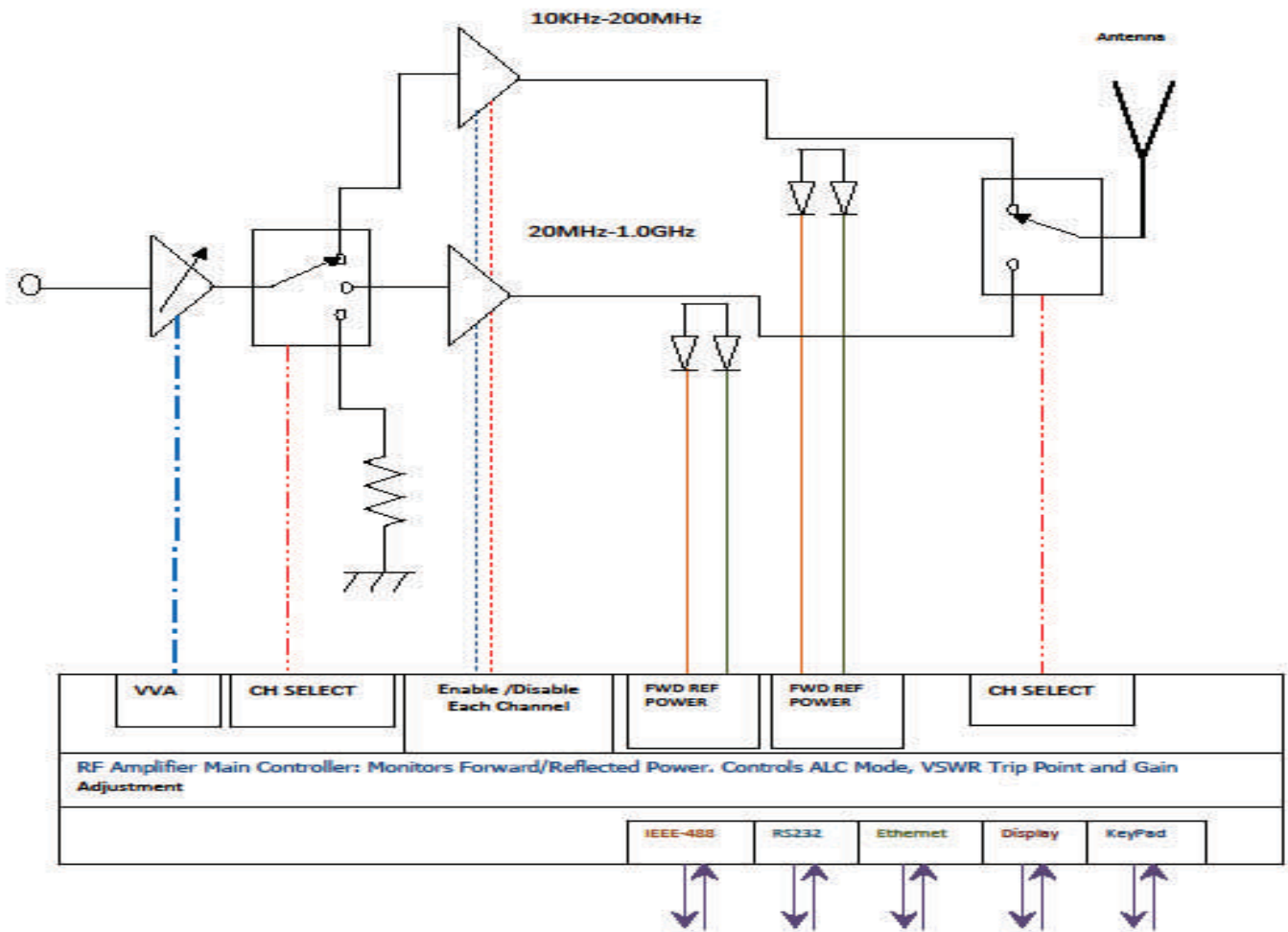
Specifications subject to change without notice





5300 Beethoven Street, Los Angeles, CA 90066
TEL: (310)306-5556 • FAX: (310) 821-7413
WEB: www.ophirrf.com • E-MAIL: sales@ophirrf.com

MODEL 7018
10KHz - 1000 MHz
100 WATTS
BANDED POWER RF AMPLIFIER



CIRCUIT INDICATIONS

- ◇ Forward Power
- ◇ Reflected power
- ◇ VSWR Fault
- ◇ Temp Fault
- ◇ Gain Setting (VVA) percentage

CIRCUIT CONTROL

- ◇ Standby (amplifier disable)
- ◇ Gain/power setting with 25dB range
- ◇ Temp Fault
- ◇ Band Selection

CIRCUIT PROTECTIONS

- ◇ Infinite VSWR
- ◇ Thermal Overload
- ◇ Over Current
- ◇ Over Voltage