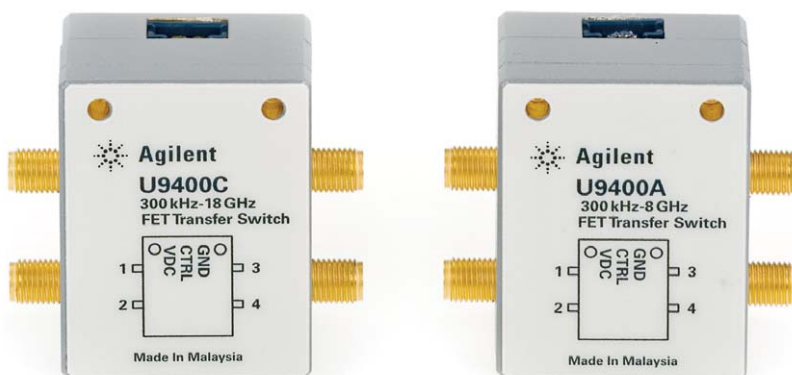
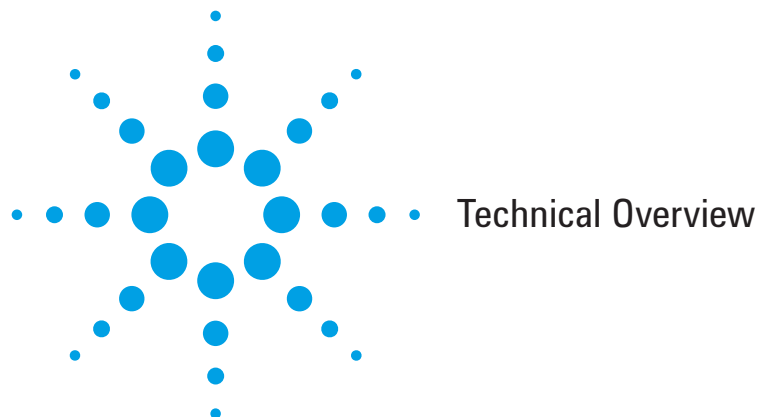


Agilent U9400A/C Solid State FET Transfer Switches

U9400A 300 kHz to 8 GHz FET Transfer Switch
U9400C 300 kHz to 18 GHz FET Transfer Switch



Key Features

- Minimize crosstalk with port-to-port isolation of > 100 dB at 8 GHz
- Increase test setup flexibility with a broad operating frequency range
- Prevent damage to sensitive components with low video leakage of < 5mVpp
- Maintain fast throughput with an industry-leading settling time for FET switches of 350 μ s
- Eliminate the need for external drivers with integrated TTL-compatible driver

Description

Agilent U9400A/C solid state FET transfer switches offer superior performance in terms of isolation and video leakage across a broad operating frequency range. The U9400A/C enable high-performance testing from frequencies as low as 300 KHz up to 8 GHz with the U9400A and 18 GHz with the U9400C. These transfer switches are used to increase system flexibility and simplicity, and are easily controlled with an integrated TTL-compatible driver.

The U9400A/C switches offer unmatched isolation performance between ports, as high as 100 dB at 8 GHz and 90 dB at 18 GHz. In addition, Agilent U9400A/C FET switches provide low video leakage of less than 5 mVpp which ensures safe testing of sensitive components. High video leakage can degrade measurement accuracy and possibly damage sensitive components or equipment. Low video leakage makes these switches particularly suited for measuring sensitive devices and components such as mixers and amplifiers. To learn more about video leakage and how it can affect measurements and devices, see Agilent's "Video Leakage Effects on Devices in Component Test Application Note".

The U9400A/C also feature an industry-leading settling time of < 0.35 ms, measured to 0.01 dB of the final value (the typical settling time of FET switches is > 50 ms). This equates to a 500 ns switching speed making the U9400A/C ideal for RF and microwave switching applications in instrumentation, communication, radar, switch matrices and various other test systems where speed and lifetime of a switch are critical.

An Overview of GaAs FET Switches: Benefits and Disadvantages

Gallium Arsenide (GaAs) FET switches have inherently low video leakage which make them more suitable for measuring devices that have low maximum input power ratings. Sensitive components such as receivers, traveling wave tubes (TWT) and handset power amplifiers typically have maximum input power ratings of < 13 dBm and can be easily damaged or over-driven by the high video leakage. Agilent U9400A/C switches have < 5 mVpp video leakage compared to common PIN switches in the market which typically have ≥ 1 V video leakage.

The ON and OFF switching of PIN diode switches use the same path as the RF which make them perform poorly below 10 MHz.

Historically, the main drawback of GaAs FET switches has been a long settling time. The settling time of a switch is defined as 50% of TTL drive to 0.01 dB (99.88% of V_{final}) of the final RF value as shown in Figure 1.

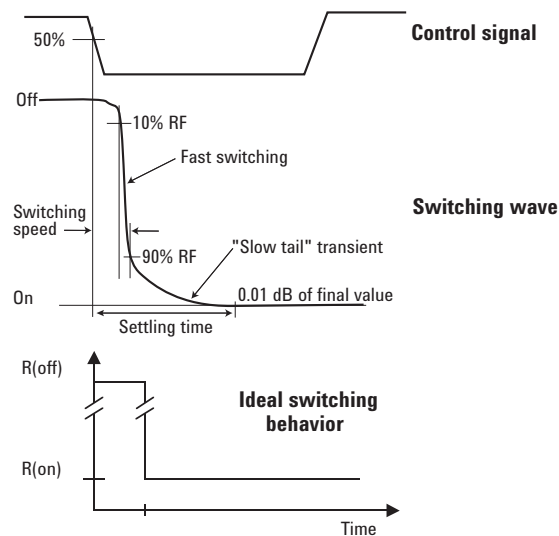


Figure 1. Typical transient behavior of FET switches from OFF state to ON state

Settling time includes:

- The time delay of the switch driver
- Switching speed
- The time it takes to settle within 0.01 dB of its final value.

Typical GaAs FET switches have settling time in the order of tens of milliseconds largely due to the slow transients or the "gate lag" effect. Gate lag occurs when electrons become trapped at the surface of the GaAs device. The conventional method of reducing gate lag in GaAs devices is usually achieved by controlling the gate trough geometry so that the gates fit "tightly" in the bottom of the trough. However, this approach reduces the breakdown voltage and power handling of the device. As shown in Figure 1, the typical transient behavior of FET switches from OFF state to ON state has a slow tail effect that increases the settling time.

Agilent has managed to counteract this drawback with a patented design that eliminates the gate lag effect resulting in a much faster settling time of < 350 μ s. You can now have the benefits of FET switches without a reduction in switching speed.

Applications

A 0.01 dB settling time of less than 350 μs makes U9400A/C switches suitable for signal routing in EGSM/GSM power amplifier testing since each slot of a GSM signal is 577 μs . Figure 2 shows a timing diagram for a GSM/EDGE signal, and as you can see one slot equals 577 μs . Switches used in the test system must switch and settle within 577 μs so that the system itself can start to capture data within the time frame of the slot 1 signal to ensure accurate measurements.

Video leakage also plays a vital role in switch selection for this specific application. High video leakage can potentially cause permanent damage to power amplifiers because their maximum input power is typically < 13 dBm. The alternative is to use electro-mechanical switches with low or no video leakage, but the switching speed (typically in ms) is usually too slow for this application.

Agilent U9400A/C have a very fast settling time and negligible video leakage making them particularly well suited for routing signals in this test system.

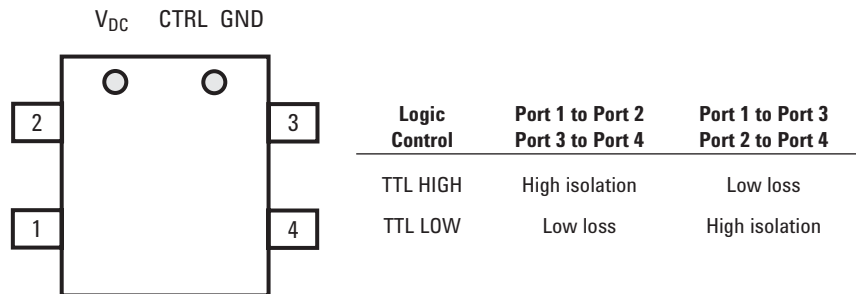


Figure 2. Driving the switch

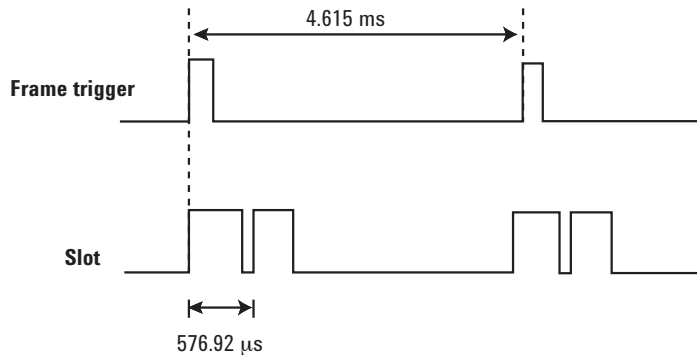


Figure 3. Timing diagram for a GSM/EDGE signal

Agilent U9400A/C solid state transfer switches can be used in numerous ways to enhance system flexibility and simplicity. The following five examples show how U9400A/C can be used to route the signals: as a drop-out switch, as an SPDT switch, for signal reversal, to bypass an active device, and to switch between multiple instruments and DUTs.

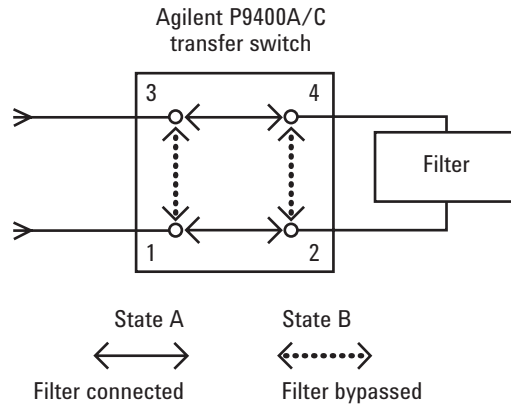


Figure 4. Agilent U9400A/C as a drop-out switch

The U9400A/C can be used as a simple drop-out switch where a signal is either run through the device or straight through the switch thus bypassing the device.

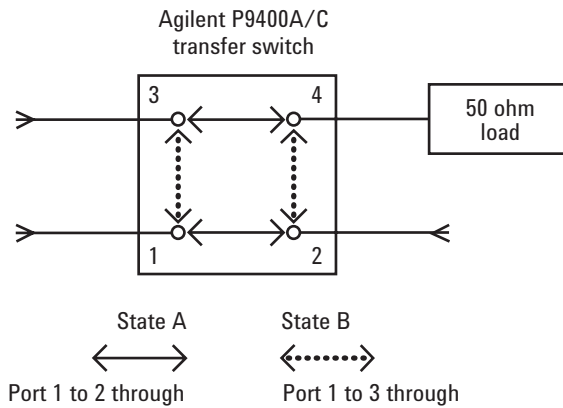


Figure 5. Agilent U9400A/C configured as an SPDT switch

By attaching an external termination, a design engineer can use the U9400A/C in an SPDT terminated switch configuration.

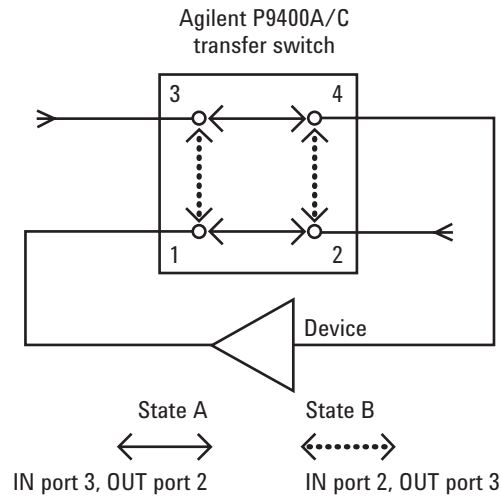


Figure 6. Agilent U9400A/C used in signal reversal application

In the signal reversal configuration, a device can be connected across two diagonal ports of the U9400A/C transfer switch. This will allow the signal direction through the device to be reversed.

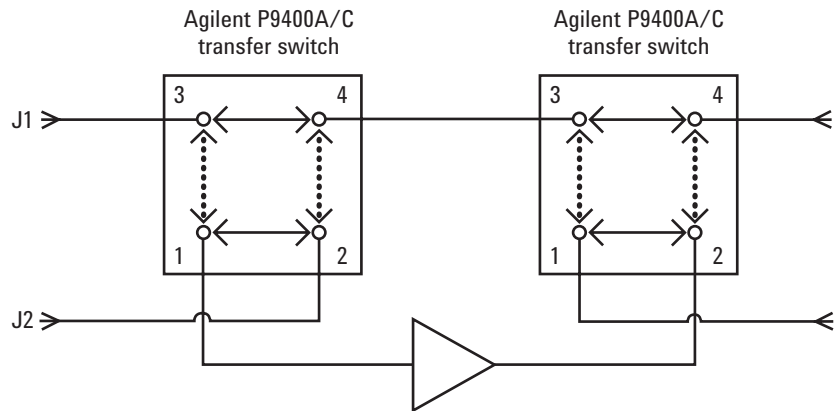


Figure 7. Agilent U9400A/C used to bypass an active device

In Figure 7, an active device, such as an amplifier, is inserted into a signal path presenting a unique problem. A single transfer switch has the undesirable characteristic of shorting the output of the amplifier to its input when the signal is bypassing the amplifier. Two transfer switches are used in this example. Two SPDT switches can serve the similar purpose. However when two transfer switches are used, an additional signal path is always simultaneously available.

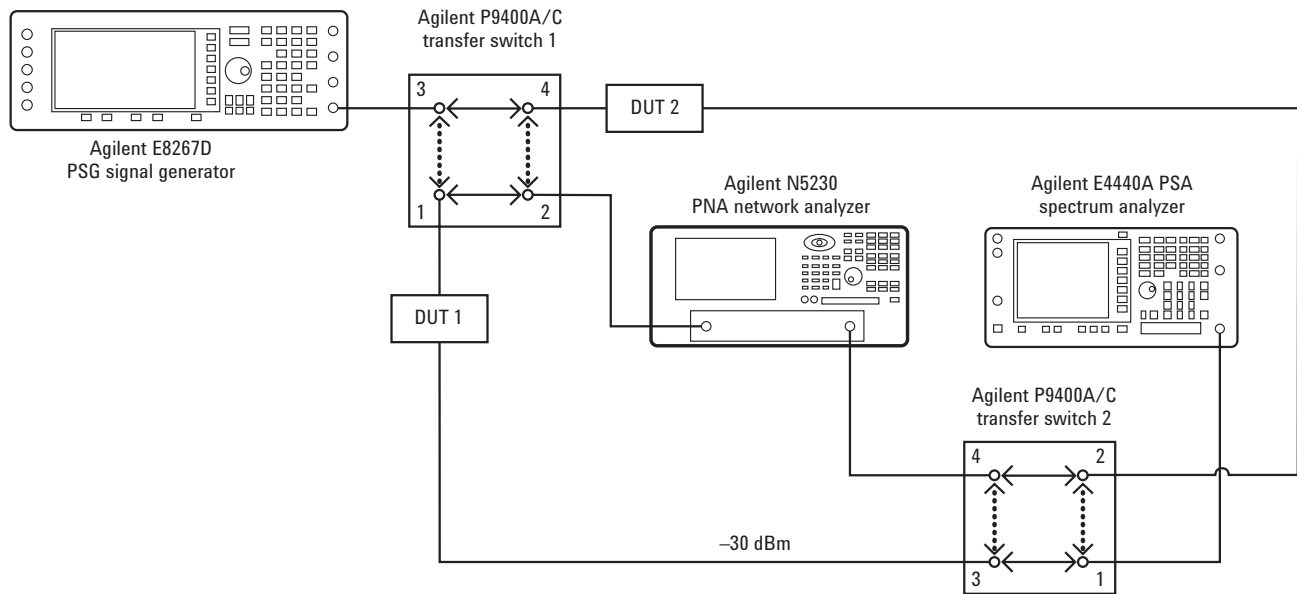


Figure 8. Switching and testing two DUTs between two different test sets simultaneously

Control Input	State	DUT 1 connected to	DUT 2 connected to	Tests
High	↔	Network analyzer	Network analyzer	S-parameter
Low	↔	Spectrum analyzer and signal generator	Spectrum analyzer and signal generator	Spurious signal, harmonics

Figure 8 shows an example of a versatile configuration of transfer switches that tests two DUTs simultaneously, each through different sets of equipment targeting distinctive measurement parameters.

DUT 1 is tested for S-parameters using a network analyzer, while DUT 2 is tested on harmonics and spurious signals using a signal generator and a spectrum analyzer. Examples of devices that can be conveniently tested include amplifiers, mixers and receivers. With only one TTL control input that controls both switches' control pins, both tests can be run simultaneously and efficiently on both DUTs. This increases throughput and simplifies your test system.

The U9400A/C switch's outstanding isolation of 100 dB is showcased in this application example. Assume that the transmitted power coming out from DUT 1 is -20 dBm. At the same time, DUT 2 is tested on spurious signal, which might be measured to a value as low as -100 dBm or more. This requires switch #2 to have an isolation of more than -100 dBm $- (-20$ dBm) = -80 dB.

This is only one of the countless measurement uncertainties that require careful attention. Switches with low or moderate isolation performance can impair system accuracy and time is wasted calculating for the uncertainties and dealing with complexities that result from the precise timing requirements of ultra fast switching and testing systems.

Specifications

Specifications refer to the performance standards or limits against which the solid state switches are tested.

Typical characteristics are included for additional information only and they are not specifications. These are denoted as “typical”, “nominal” or “approximate” and are printed in italics.

RF Specifications

Model	U9400A	U9400C
Frequency range	300 kHz to 8 GHz	300 kHz to 18 GHz
Insertion loss	< 3.0 dB (300 kHz to 4 GHz) < 3.5 dB (4 to 8 GHz)	< 5.0 dB (300 kHz to 8 GHz) < 6.5 dB (8 to 18 GHz)
Isolation	> 100 dB	> 90 dB
Return loss (ON Ports)	> 15 dB	> 10 dB
Switching speed ¹	4/0.5 μ s (typical)	5/1 μ s (typical)
Settling time	< 350 μ s (typical)	< 350 μ s (typical)
Video leakage	< 5 mVpp (typical)	< 5 mVpp (typical)
Characteristic impedance	50 Ω	50 Ω
Connectors	SMA (f)	SMA (f)

Absolute Maximum Ratings²

Parameters	U9400A/C	
	Min	Max
RF input power (Average)	–	+ 29 dBm (U9400A) + 27 dBm (U9400C)
VDC	+ 11 V	+ 26 V
Control Input High Voltage	+ 2.4 V	+ 5 V
Control Input Low Voltage	0 V	+ 0.8 V
Current sourcing at RF1 or RF2 ³	–	60 mA

1. Switching speed is based on 50% TTL to 90% RF (ON time) or 50% TTL to 10% RF (OFF time).

2. Operation in excess of any one of these may result in permanent damage to the products.

3. Sinking not allowed.

Environmental Specifications

U9400A/C solid state switches are designed to fully comply with Agilent Technologies' product operating environment specifications. The following summarizes the environmental specifications for these products.

Temperature:

Operating	−40 °C to +85 °C
Storage	−65 °C to +125 °C
Cycling	−65 °C to +150 °C, 10 cycles @ 20 °C per minute ramp rate, 20 minutes dwell time per MIL-STD-833F, Method 1010.8, Condition C (modified)

Humidity:

Operating	50% to 95% RH @ 40 °C, one 24 hour cycle, repeated 5 times
Storage	< 90% RH @ 65 °C, 24 hours

Shock:

Half-sine, smoothed	1000 G @ 0.5 ms, 3 shock pulses per orientation, 18 total per MIL-STD-833F, Method 2002.4, Condition B (modified)
---------------------	---

Vibration:

Broadband random	50 to 2000 Hz, 7.0 G rms, 15 minutes, per MIL-STD-833F, Method 2026-1 (modified)
------------------	--

Altitude:

Storage	< 15,300 meters (50,000 feet)
---------	-------------------------------

ESD Immunity:

Direct discharge	1.5 kV per IEC 61000-4-2
Air discharge	2.5 kV per IEC 61000-4-2

U9400A/C

Mechanical Dimensions

Dimensions are in mm (inches) nominal, unless otherwise specified

	U9400A	U9400C
Length, mm (inches)	48.75 (1.919)	48.75 (1.919)
Width, mm (inches)	46.7 (1.839)	46.7 (1.839)
Net weight, kg (lb)	0.095 (0.209)	0.095 (0.209)

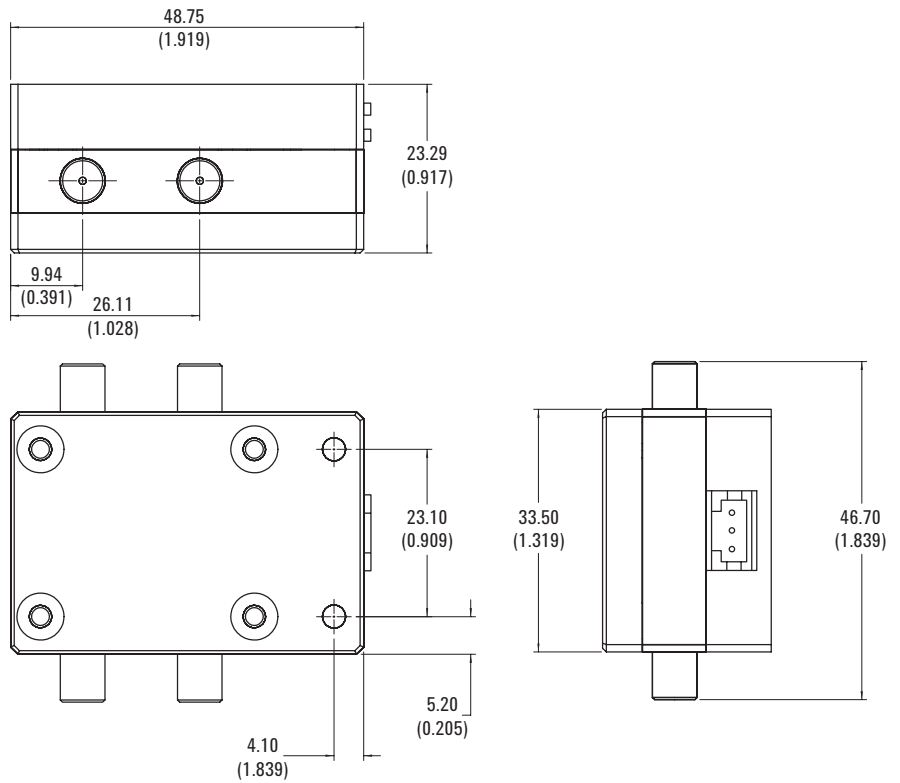


Figure 9. U9400A/C Mechanical dimensions

Typical Performance

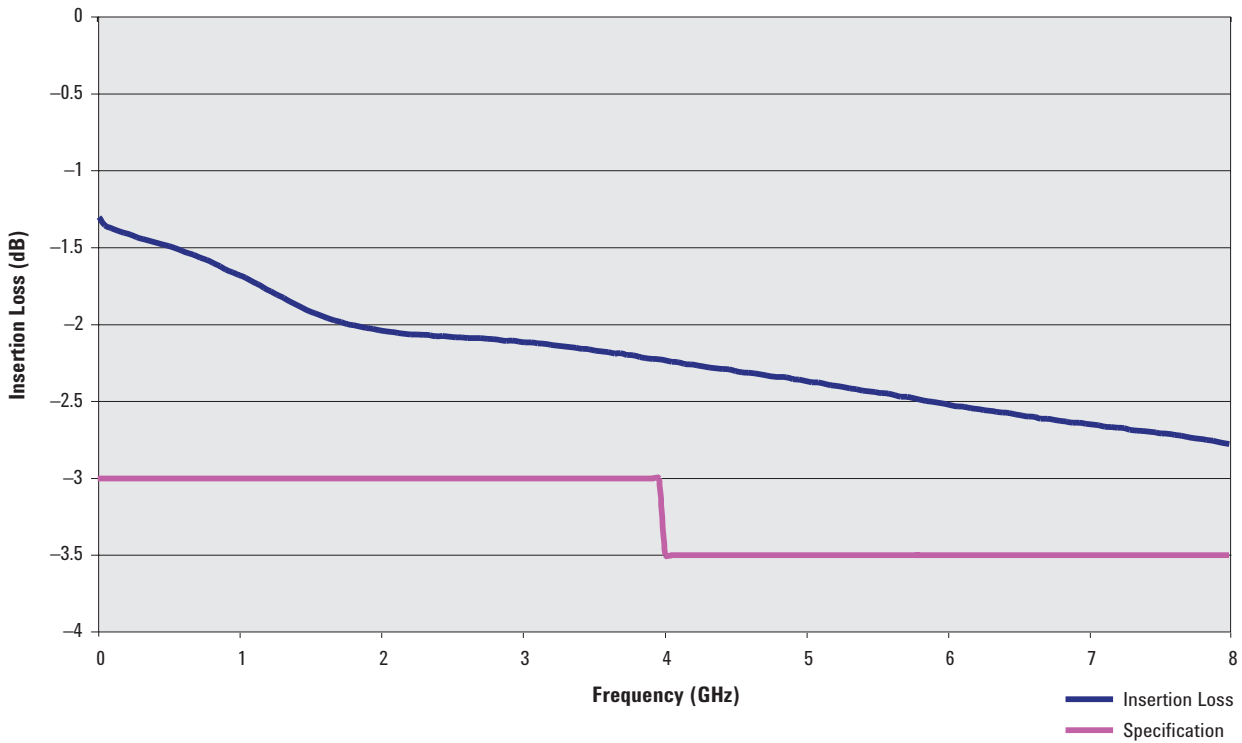


Figure 10. U9400A insertion loss versus frequency (typical)

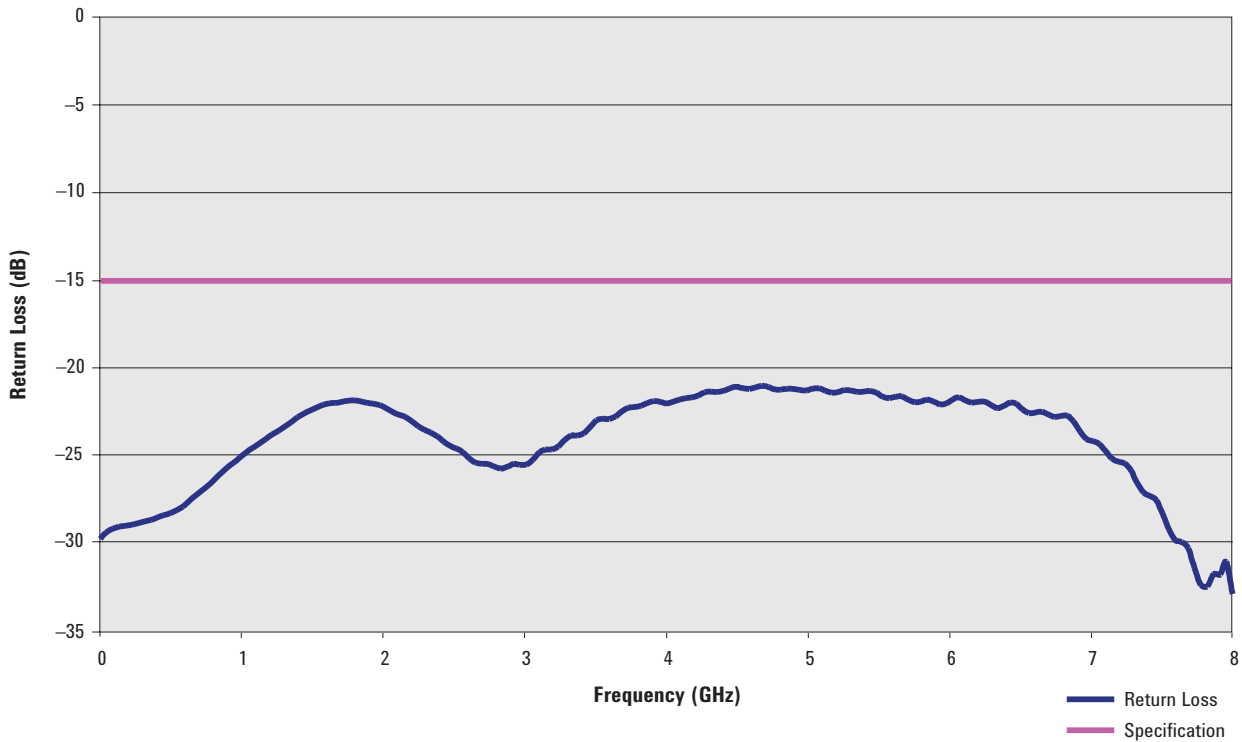


Figure 11. U9400A return loss versus frequency (typical)

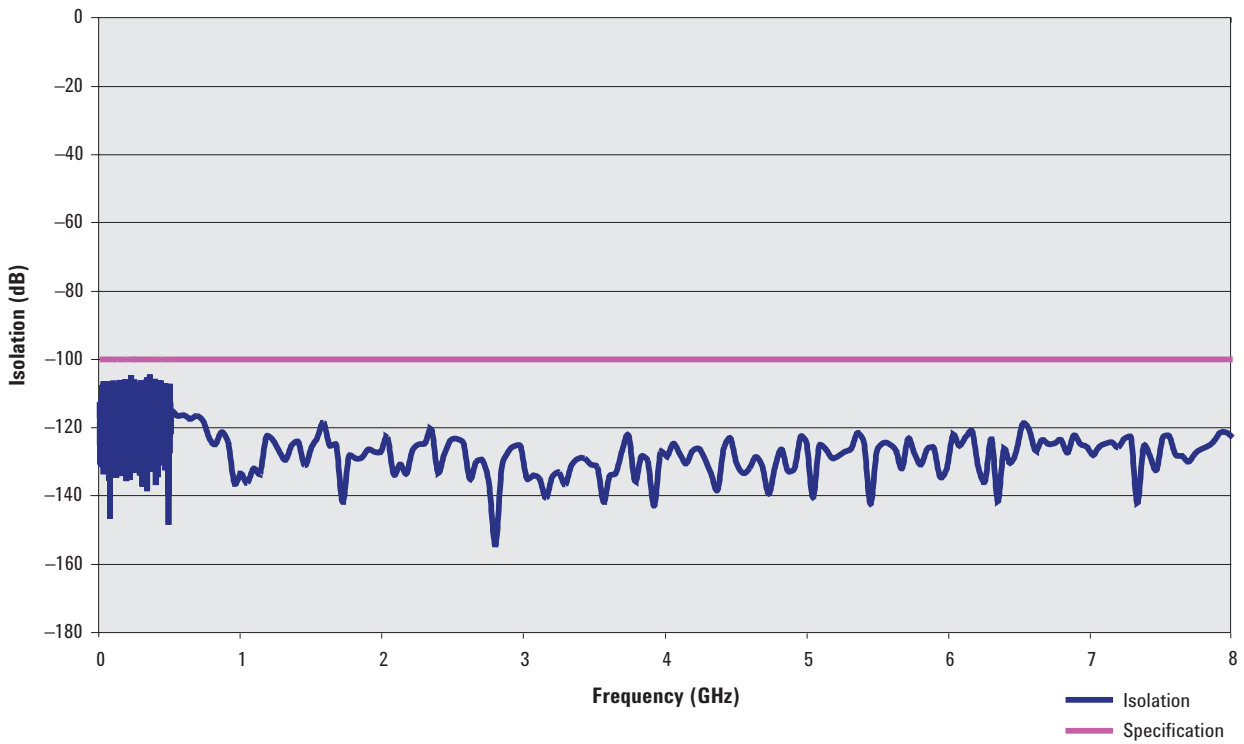


Figure 12. U9400A isolation versus frequency (typical)

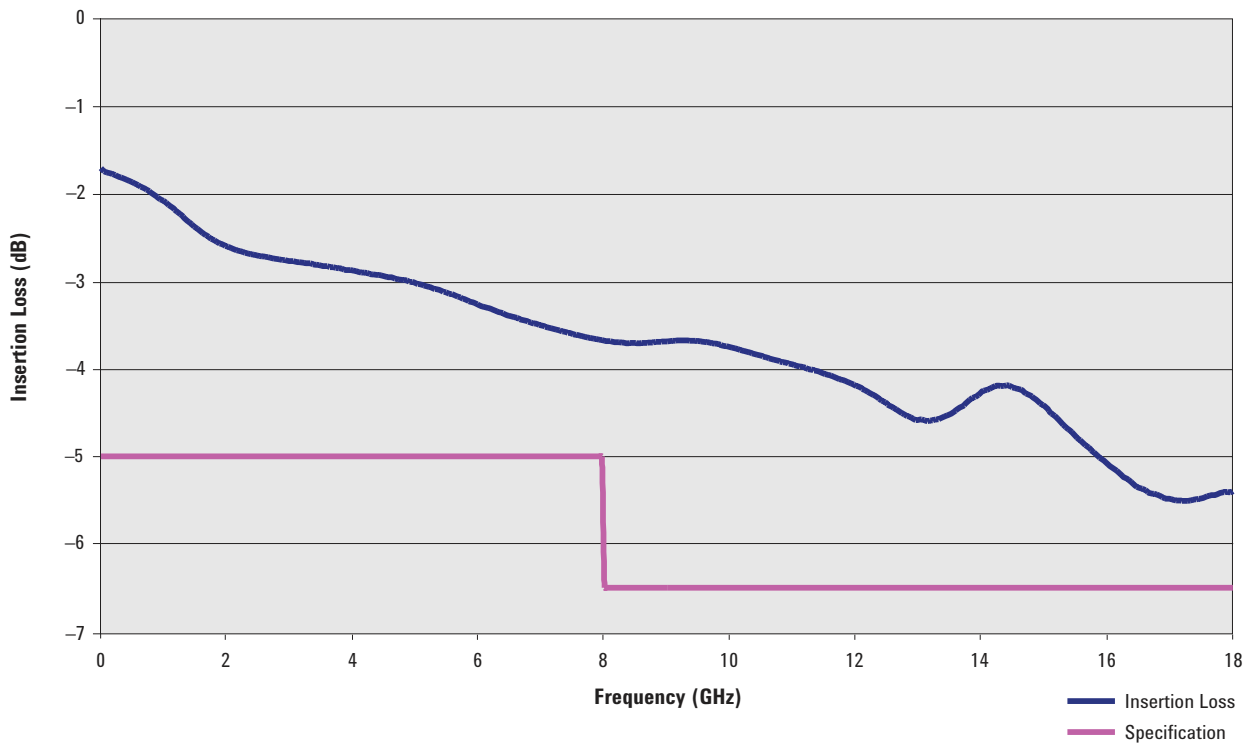


Figure 13. U9400C insertion loss versus frequency (typical)

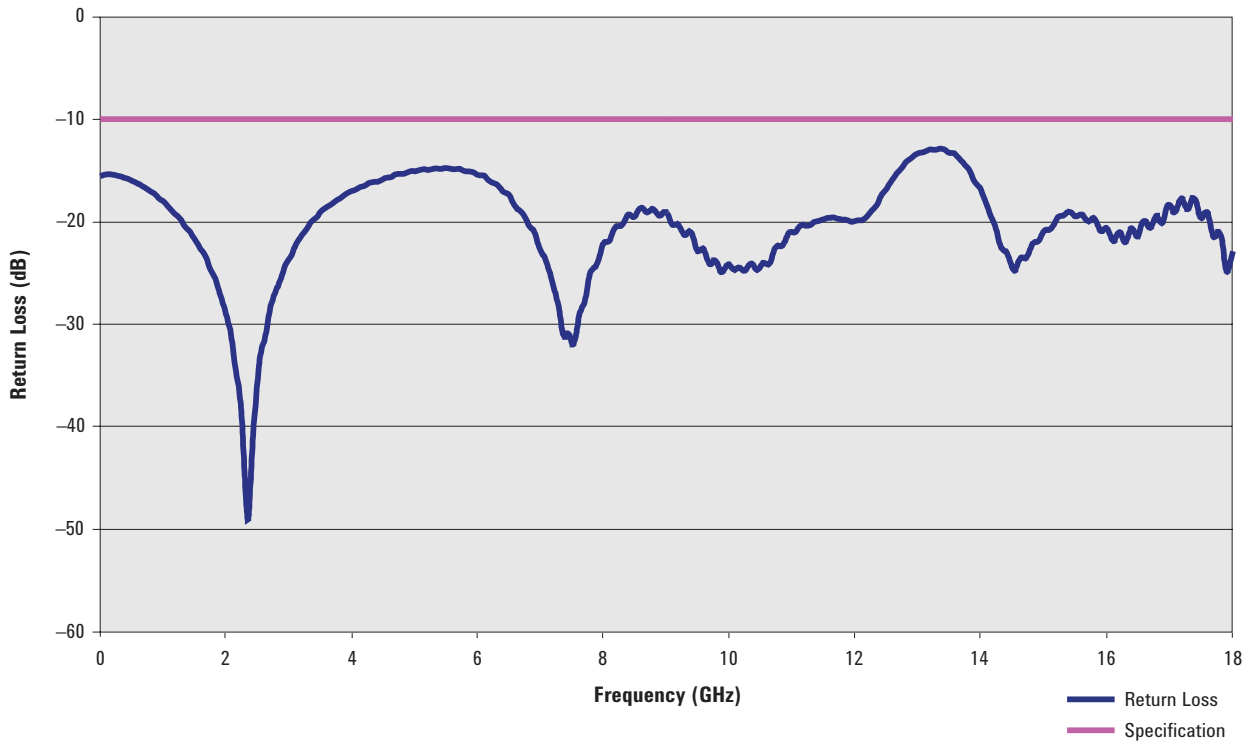


Figure 14. U9400C return loss versus frequency (typical)

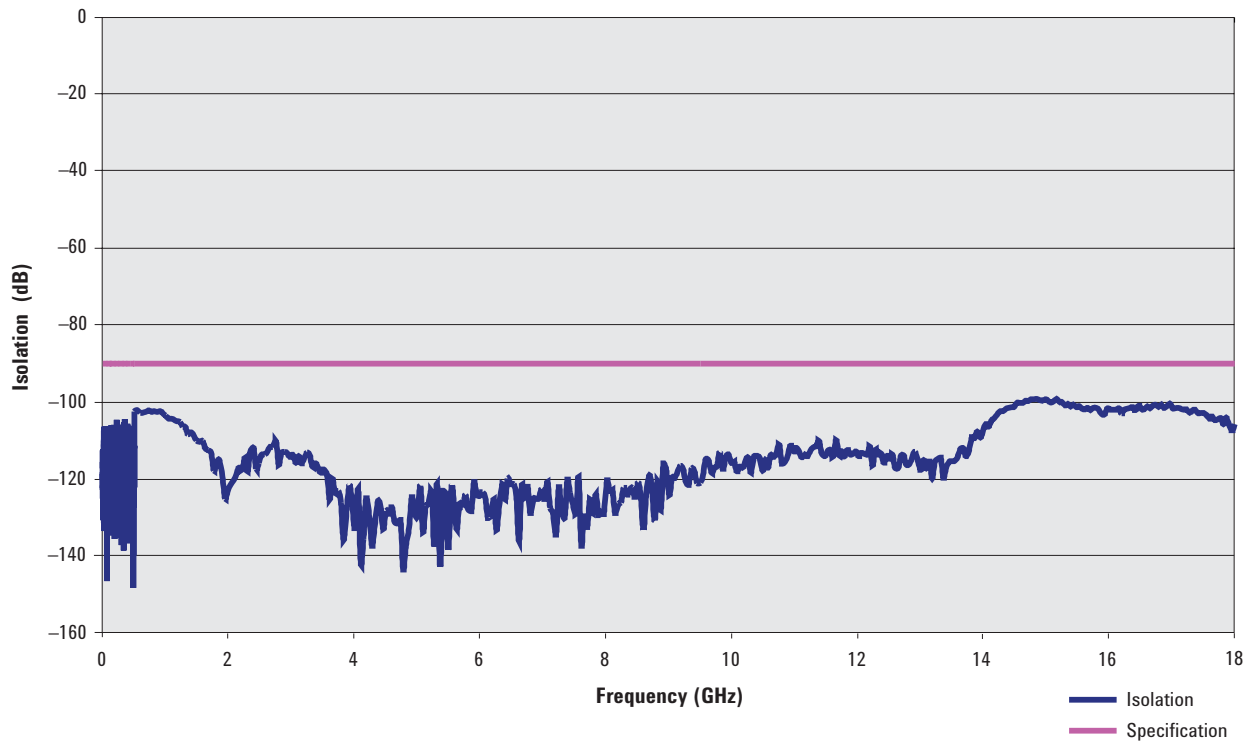


Figure 15. U9400C isolation versus frequency (typical)

Ordering Information

U9400A 8 GHz solid state FET transfer switch

U9400C 18 GHz solid state FET transfer switch

Related Literature

1. *Video Leakage Effects on Devices in Component Test Application Note*, 5989-6086EN
2. *Selecting the Right Switch Technology for your Application*, 5989-5189EN



Agilent Email Updates

www.agilent.com/find/emailupdates
Get the latest information on the products and applications you select.



Agilent Direct

www.agilent.com/find/agilentdirect
Quickly choose and use your test equipment solutions with confidence.

Remove all doubt

Our repair and calibration services will get your equipment back to you, performing like new, when promised. You will get full value out of your Agilent equipment throughout its lifetime. Your equipment will be serviced by Agilent-trained technicians using the latest factory calibration procedures, automated repair diagnostics and genuine parts. You will always have the utmost confidence in your measurements.

Agilent offers a wide range of additional expert test and measurement services for your equipment, including initial start-up assistance, onsite education and training, as well as design, system integration, and project management.

For more information on repair and calibration services, go to:

www.agilent.com/find/removealldoubt

www.agilent.com

For more information on Agilent Technologies' products, applications or services, please contact your local Agilent office. The complete list is available at:

www.agilent.com/find/contactus

Americas

Canada	(877) 894-4414
Latin America	305 269 7500
United States	(800) 829-4444

Asia Pacific

Australia	1 800 629 485
China	800 810 0189
Hong Kong	800 938 693
India	1 800 112 929
Japan	0120 (421) 345
Korea	080 769 0800
Malaysia	1 800 888 848
Singapore	1 800 375 8100
Taiwan	0800 047 866
Thailand	1 800 226 008

Europe & Middle East

Austria	0820 87 44 11
Belgium	32 (0) 2 404 93 40
Denmark	45 70 13 15 15
Finland	358 (0) 10 855 2100
France	0825 010 700*
	*0.125 € fixed network rates
Germany	01805 24 6333**
	**0.14€/minute
Ireland	1890 924 204
Israel	972-3-9288-504/544
Italy	39 02 92 60 8484
Netherlands	31 (0) 20 547 2111
Spain	34 (91) 631 3300
Sweden	0200-88 22 55
Switzerland (French)	41 (21) 8113811(Opt 2)
Switzerland (German)	0800 80 53 53 (Opt 1)
United Kingdom	44 (0) 118 9276201

Other European Countries:

www.agilent.com/find/contactus

Revised: October 24, 2007

Product specifications and descriptions in this document subject to change without notice.

© Agilent Technologies, Inc. 2008
Printed in USA, January 25, 2008
5989-7617EN



Agilent Technologies