

Agilent Accessories Selection Guide For Impedance Measurements

December 2008

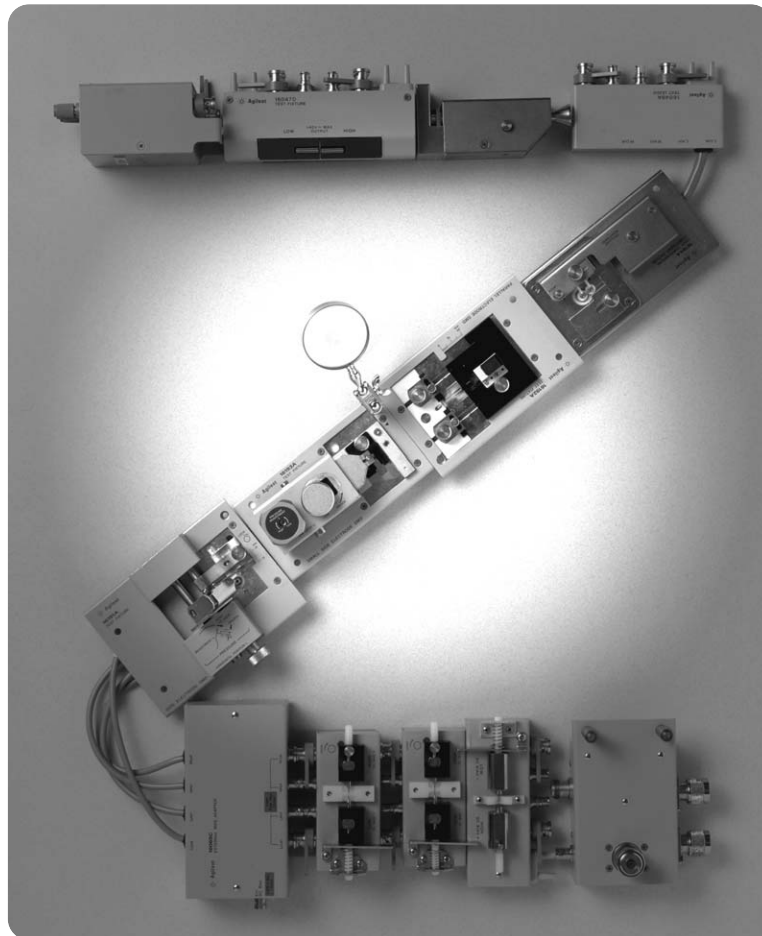
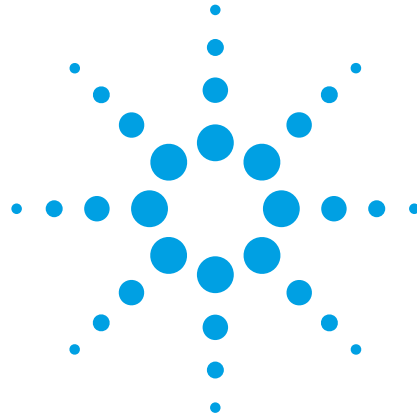


Table of Contents

Introduction	1
1. What are Agilent Accessories?	1
2. Types of Accessories	1
3. The Benefits of Agilent Accessories	2
4. ISO 9000 Quality Management	2
Tips for Selecting Appropriate Accessories	3
1. Selection by Measurement Application	3
2. Compatibility with Measurement Instruments	3
3. Frequency, DC Bias, and Operating Temperature/Humidity	4
4. DUT (Device Under Test) Dimensions	4
5. Open & Short Repeatability and Proportional Error	4
6. Furnished Accessories	4
7. Terminal Adapters	5
Accessory Catalogue	6
Applicable Frequency Ranges	6
Accessories Organization	7
Up to 110 MHz (4-Terminal Pair)	8
Lead Components:	
16047A Test Fixture	9
16047D Test Fixture	10
16047E Test Fixture	11
16060A Transformer Test Fixture	12
SMD:	
16034E Test Fixture	13
16034G Test Fixture	14
16034H Test Fixture	15
16044A Test Fixture	16-17
16334A Tweezers Contact Test Fixture	18
16043-60011/12 3-Terminal SMD Test Fixture	19-21
Other Components (Varying in Size or Shape):	
16089A Large Kelvin Clip Leads	22
16089B Medium Kelvin Clip Leads	22
16089C Kelvin IC Clip Leads	23
16089D Kelvin Alligator Clip Leads	23
16089E Kelvin Clip Leads	24
Port/Cable Extension:	
16048A Test Leads	25
16048-60030 Test Leads	25
16048D Test Leads	26
16048E Test Leads	26
16048G Test Leads	27
16048H Test Leads	27

Balanced/Unbalanced Converters:		
	16314-60011 Balanced/Unbalanced 4-Terminal Converter	28
Probes:		
	42941A Impedance Probe Kit	29
DC Bias Accessories:		
	16065A 200 Vdc External Voltage Bias Fixture	30
	16065C 40 Vdc External Voltage Bias Adapter	30
	42841A Bias Current Source	31
	42842A Bias Current Test Fixture	32
	42842B Bias Current Test Fixture	33
	42842C Bias Current Test Fixture	34
	42851-61100 SMD Test Fixture	34
	42843A Bias Current Cable	35
Material:		
	16451B Dielectric Test Fixture	36-39
	16452A Liquid Dielectric Test Fixture	40-41
	Up to 3 GHz (7 mm)	42
Lead Components:		
	16092A Spring Clip Test Fixture	43
	16093-65003 Binding Post Test Fixture	44
	16093-65004 Binding Post Test Fixture	45
SMD:		
	16192A Parallel Electrode SMD Test Fixture	46-47
	16194A High Temperature Component Test Fixture	48-49
	16196A Parallel Electrode SMD Test Fixture	50-52
	16196B Parallel Electrode SMD Test Fixture	53-54
	16196C Parallel Electrode SMD Test Fixture	55-56
	16196D Parallel Electrode SMD Test Fixture	57-58
	16197A Bottom Electrode SMD Test Fixture	59-61
Probes:		
	16094-65000 Probe Test Fixture	62
DC Bias Accessories:		
	16200B External DC Bias Adapter	63
Material:		
	16453A Dielectric Material Test Fixture	64
	16454A Magnetic Material Test Fixture	65-66
	DC (High Resistance)	67
SMD & Lead Components:		
	16339A Component Test Fixture	68
SMD:		
	16118A Tweezers Test Fixture	69

Other Components (Varying in Size, Shape or Grounded):	
16117B Low Noise Test Leads	70
16117C Low Noise Test Leads	71
16117E Low Noise Test Leads	71
Material:	
16008B Resistivity Cell	72-73
1 kHz (Milliohm)	74
Various Components:	
16338A Test Lead Kit	75
16143-60011 Mating Cable	76
16005-60011 Kelvin Clip Leads	76
16005-60012/14 Kelvin IC Clip Leads	76
16006-60001 Pin-type Leads	77
16007-60001/2 Kelvin Alligator Clip Leads	77
Other Accessories	
16190B Performance Test Kit	78
16380A Standard Capacitor Set	79
16380C Standard Capacitor Set	80
42030A Four-Terminal Pair Standard Resistor Set	81
42090A Open Termination	82
42091A Short Termination	82
Appendix	
The Concept of a Test Fixture's Additional Error	83
1. System Configuration for Impedance Measurement	83
2. Measurement System Accuracy	83-85
3. New Market Trends and the Additional Error for Test Fixtures	85-88
Error Compensation	89
1. Open/short Compensation	89
2. Open/short/load Compensation	89
3. Electrical Length Compensation	90
4. Cable Length Compensation	91
Measurement Repeatability	91
Index	92
Test Fixture Selection By SMD Size	95
Accessories vs. Instruments Matrix	96
Complementary Products and Accessories	97
Agilent Web Resources	98

Introduction

When a device under test (DUT) is measured, a test fixture must be used to connect the instrument to the DUT. A test fixture is an interface specifically designed to connect the instrument and the contact tips of the DUT.

1. What are Agilent Accessories?

Agilent offers a variety of accessories suitable for many applications. They are designed to make measurements simple and reliable. For example, a mechanically and electrically precise test fixture is required to measure the impedance of SMD components. For this measurement, Agilent offers dedicated SMD fixtures for impedance measurement instruments that minimize the measurement errors. Also, specially designed fixtures for other specific applications (such as DC bias test, dielectric material test, and others.) are available. Agilent accessories facilitate a shorter time-to-market with increased confidence by providing accurate and repeatable measurements.

2. Types of Accessories

Agilent accessories can be divided into the following five categories:

Test Fixtures

A test fixture is used to hold the electronic components or materials (physically and electrically) for the measurements. Agilent offers various kinds of 4-Terminal Pair test fixtures and 7 mm test fixtures. Some of them connect directly to the measurement instrument, while others require adapters.

Test Leads

Test leads are used to extend the measurement ports from the UNKNOWN terminals of the instrument to the DUT. Using a flexible test lead, a DUT that cannot be held with test fixtures can be measured regardless of its size or shape. The test leads can also be used as cable extensions when the test sample is located away from the measurement instrument.

Probes

Probes are helpful in measuring components which are already connected to PC boards or have one terminal grounded. The probes shown in this selection guide have a wide frequency range and are simple to use.

Adapters

Adapters are used to adapt the dedicated circuits between the instrument and the test fixtures. The 16085B is a terminal conversion adapter that can convert a 4-Terminal Pair configuration to a 7 mm configuration. The 16065C is an external DC bias adapter that can apply DC bias to the DUT from an external DC bias source.

Others

Also available are DC bias accessories and performance test equipment.

Introduction

3. The Benefits of Agilent Accessories

Each accessory is designed to ensure highly accurate measurements without degrading the performance of the measurement instrument.

- Minimum residual error preserves the accuracy of the measurement instruments.
- Clearly defined error compensation allows easy calculation of error corrections.
- Strict measurement specifications, such as test frequencies and signal levels provide safe and accurate measurements.

This document introduces a group of Agilent accessories that are well suited for the following measurement instruments:

LCR Meters:

- 4263B 100 Hz/120 Hz/1 kHz/10 kHz/100 kHz LCR Meter
- 4284A* 20 Hz - 1 MHz Precision LCR Meter
- E4980A 20 Hz - 2 MHz Precision LCR Meter
- 4285A 75 kHz - 30 MHz Precision LCR Meter
- 4287A 1 MHz - 3 GHz RF LCR Meter

Capacitance Meters

- 4268A 120 Hz/1 kHz Capacitance Meter
- 4279A* 1 MHz C-V Meter
- 4288A 1 kHz/1 MHz Capacitance Meter
- E4981A 120 /1 kHz/1 MHz Capacitance Meter

Resistance Meters

- 4338B 1 kHz Milliohm Meter
- 4339B DC High Resistance Meter
- 4349B DC 4-ch High Resistance Meter

Impedance Analyzers

- 4291B* 1 MHz - 1.8 GHz RF Impedance/Material Analyzer
- 4294A 40 Hz - 110 MHz Precision Impedance Analyzer
- E4991A 1 MHz - 3 GHz RF Impedance/Material Analyzer

Combination Analyzers

- 4395A 10 Hz - 500 MHz Network/Spectrum/Impedance Analyzer
- 4396B 100 kHz - 1.8 GHz RF Network/Spectrum/Impedance Analyzer

* denotes the instrument is obsolete.

4. ISO 9000 Quality Management

ISO 9000 is a set of international standards for quality management and quality assurance. These standards were developed with the goal of documenting and implementing effective quality systems within companies. ISO standards are consistent with Agilent's quality system; in fact, the standards within Agilent Technologies' Quality Maturity System (QMS) exceed the intent of ISO 9000.

Tips for Selecting Appropriate Accessories

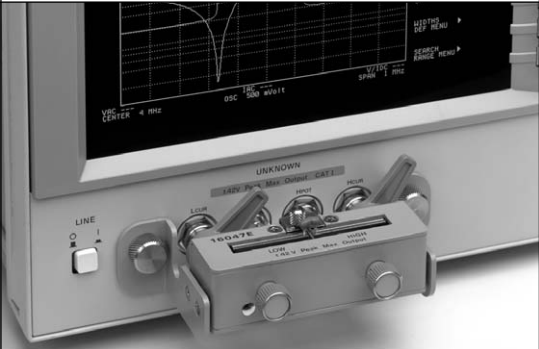



The following topics comprise a helpful guideline for selecting an appropriate accessory for the measurement instrument to be used.

1. Selection by Measurement Application

Agilent accessories can be used in a wide variety of measurement applications. These applications range from basic measurements (such as impedance measurements for discrete devices) to advanced measurements (such as measurement of resistivities or dielectric constants.)

2. Compatibility with Measurement Instruments

Test fixtures/leads are compatible with the measurement instruments when they have the same type of terminal configuration and useable measurement frequency range. The measurement instruments described in this guide are divided into the following four categories based on frequency.

Frequency Range	Up to 110 MHz (Terminal Configuration: 4-Terminal Pair)	Up to 3 GHz (Terminal Configuration: 7 mm)
		
Measurement Instruments	4263B, 4268A, 4279A, 4284A, 4285A, 4288A, 4294A, E4980A, E4981A	4291B, 4294A + 42942A, 4395A w/Opt. 010 + 43961A, 4396B w/Opt. 010 + 43961A, 4287A, E4991A Any 4TP instruments (excluding 4294A) + 16085B
Frequency	DC (High Resistance Measurement)	1 kHz (Milliohm Measurement)
		
Measurement Instruments	4339B, 4349B	4338B

Tips for Selecting Appropriate Accessories

3. Frequency, DC Bias, and Operating Temperature/Humidity

Each of the Agilent accessories has its own specific operating range. Any measurement performed outside this range can increase residual errors and can cause problems. Be sure that your measurement environment fits the accessory's specific operating range. In the case of humidity, Agilent's accessories can operate at a relative humidity of 95% or less at 40°C. (These same requirements apply to most LCR Meters and Impedance Analyzers.) When the ambient temperature is not approximately 40°C, use an accessory that has no condensation on its surface.

4. DUT (Device Under Test) Dimensions

The DUT can vary from chip components, axial/radial leads, or ICs to general electrical devices. Select a test fixture/lead that is suitable for the shape and size of your components or materials.

5. Open & Short Repeatability and Proportional Error

Since a test fixture induces an additional error when measuring, the total measurement error is the sum of the measurement instrument's measurement accuracy and the fixture's additional error. Generally, a test fixture's additional error consists of three terms: open repeatability, short repeatability and proportional error. Open and short repeatability exhibit the error factors of the open and short residual impedances which affect the measurements of extremely high and low impedances respectively. Proportional error exhibits the error factor, which is proportional to the size of the impedance being measured. For more details on this subject, please see the Appendix.

6. Furnished Accessories

Each test fixture is shipped with a manual and various other accessories needed for measuring. For example, the 42941A impedance probe kit is furnished with a pin probe, an adapter (BNC-SMB), 3 spare pins, a carrying case and an operation and service manual.

Tips for Selecting Appropriate Accessories

7. Terminal Adapters

Terminal Adapters convert the instruments terminal configuration into a 7 mm terminal configuration. This means that instruments that do not have a 7 mm terminal connector can use test fixtures with a 7 mm terminal connector. The 16085B converts a 4-Terminal Pair configuration into a 7 mm terminal connector. The 42942A does the same as 16085B, but can only be used with the 4294A.

16085B Terminal Adapter



Dimensions (approx.): 178(W)x90(H)x114(D) [mm]
Weight (approx.): 550 g

Applicable Instruments:

4263B, 4268A, 4279A*, 4284A*, 4285A, 4288A, E4980A, E4981A

* denotes the instrument is obsolete.

Frequency: DC to 40 MHz

Maximum DC Bias Voltage: ±40 V

Operating Temperature: 0 °C to 55 °C

Furnished Accessories:

Description	P/N	Qty.
Operating Note	16085-90001	1

42942A Terminal Adapter



Dimensions (approx.): 190(W) x 55(H) x 140 (D) [mm]
Weight (approx.): 800 g

Applicable Instrument: 4294A

Frequency: 40 Hz to 110 MHz

Maximum Voltage: ±42 V peak max (AC +DC)

Operating Temperature: 0°C to 40°C

Furnished Accessories:

Description	P/N	Qty.
Carrying Case	42942-60011	1
Operation and Service Manual	42942-90020	1

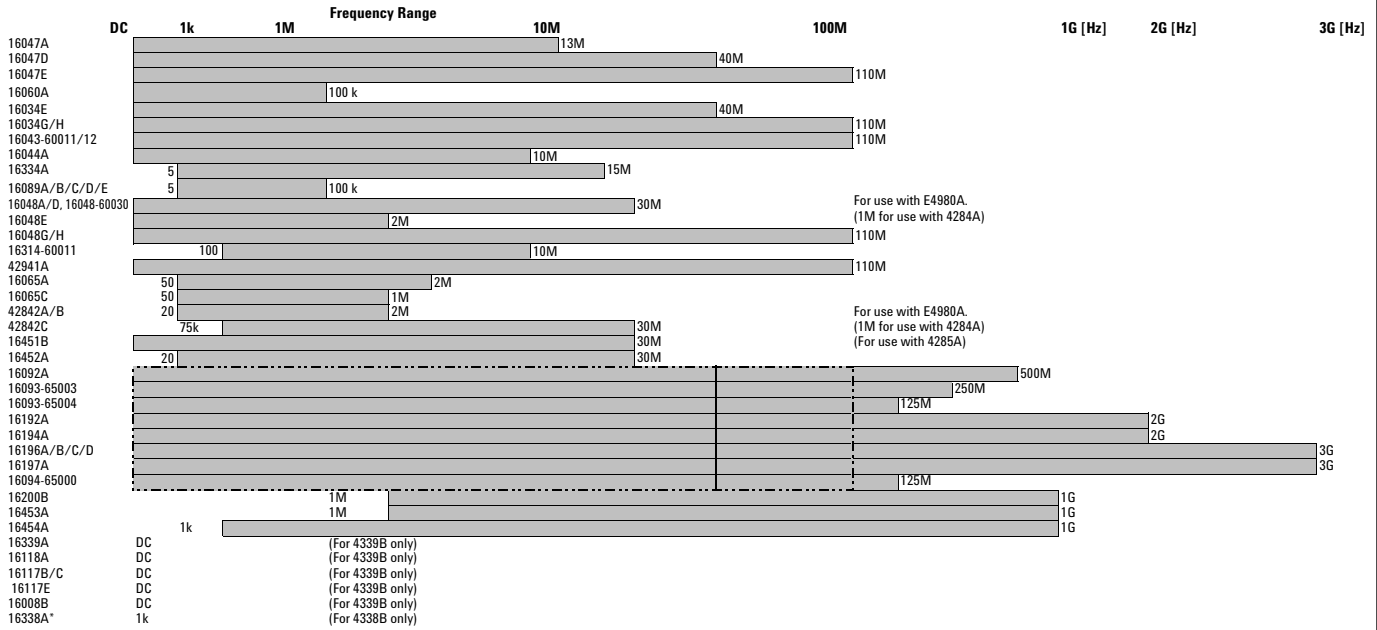
Options:

42942A-700: Add 7mm open/short/load set

Description	P/N	Qty.
Open Termination	04191-85302	1
Short Termination	04191-85300	1
Load Termination	04291-60043	1

Accessories Catalogue

Applicable Frequency Ranges



— When 16085B is used.

* Note, this includes 16005-60011, 16005-60012/14, 16006-60001, 16007-60001/2

⋮ When 42942A is used.

Accessories Catalogue

Accessories Organization

This document is organized by measurement frequency and DUT to enable quick selection of an appropriate test fixture for a particular measurement application. The following tables show the various categories in each primary group:

- Up to 110 MHz (Terminal Configuration: 4-Terminal Pair)

Lead Components	16047A/D/E, 16060A
SMD Components	16034E/G/H, 16044A, 16334A, 16043-60011/12
Other Components	16089A/B/C/D/E
Port/Cable Extension	16048A/D/E/G/H, 16048-60030
Balanced/Unbalanced Converters	16314-60011
DC Bias Accessories	42841A, 42842A/B/C, 42843A
Material	16451B, 16452A

- Up to 3 GHz (Terminal Configuration: 7 mm Connector)

Lead Components	16092A, 16093-65003/4, 16194A
SMD Components	16092A, 16192A, 16194A, 16196A/B/C/D, 16197A
Probes	16094-65000
DC Bias Accessories	16200B
Material	16453A, 16454A

- DC (High Resistance Measurement)

Lead Components	16339A
SMD Components	16118A, 16339A
Other Components	16117B/C/E
Material	16008B

- 1 kHz (Milliohm Measurement)

Various Components	16338A (With 16143-60011, 16005-60011/12/14, 16006-60001, 16007-60001/2)
--------------------	-----------------------------------------------------------------------------

- Other Accessories

Miscellaneous	16190B, 16380A/C, 42030A, 42090/1A
---------------	------------------------------------

Up to 110 MHz (4-Terminal Pair)

Test Fixtures (4-Terminal Pair) for Impedance Measurements up to 110 MHz

	Frequency range				
	DC	1k	1M	10M	100M
16047A				13M	
16047D					40M
16047E					110M
16060A			100 k		
16034E					40M
16034G/H					110M
16043-60011/12					110M
16044A				10M	
16334A	5				15M
16089A/B/C/D/E	5		100 k		
16048A/D, 16048-60030					30M
16048E			2M		
16048G/H					110M
16314-60011		100		10M	
42941A					110M
16065A	50			2M	
16065C	50			1M	
42842A/B	20			2M	
42842C		75k			30M
16451B					30M
16452A		20			30M

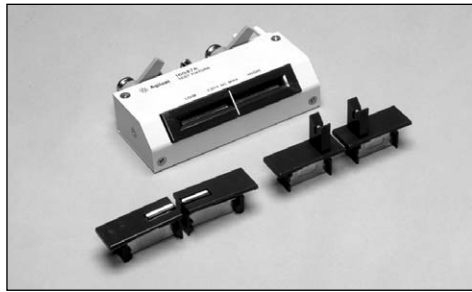
For use with E4980A.
(1M for use with 4284A)

For use with E4980A.
(1M for use with 4284A)
(For use with 4285A)

Applicable Instrument

Frequency Range	Up to 110 MHz (Terminal Configuration: 4-Terminal Pair)	Up to 3 GHz (Terminal Configuration: 7 mm)
Measurement Instruments	4263B, 4268A, 4279A, 4284A, 4285A, 4288A, 4294A, E4980A, E4981A	4291B, 4294A + 42942A, 4395A w/Opt. 010 + 43961A, 4396B w/Opt. 010 + 43961A, 4287A, E4991A Any 4TP instruments (excluding 4294A) + 16085B
Frequency	DC (High Resistance Measurement)	1 kHz (Milliohm Measurement)
Measurement Instruments	4339B, 4349B	4338B

16047A Test Fixture



Terminal Connector: 4-Terminal Pair, BNC

DUT Connection: 4-Terminal

Dimensions (approx.):

124 (W) x 31 (H) x 62 (D) mm

Weight (approx.): 205 g

Additional Error:

Type of Error	Impedance
Proportional Error	$\pm 5 \times (f/10)^2$

f: [MHz]

Description: This test fixture is designed for impedance evaluation of axial/radial lead type devices. The 16047A employs Kelvin contacts which realize a wide impedance measurement range. The contact tip can be changed according to the device shape.

Applicable Instruments: 4263B, 4268A, 4279A*, 4288A, E4980A, E4981A, (4284A*, 4285A, 4294A)**

* denotes the instrument is obsolete.

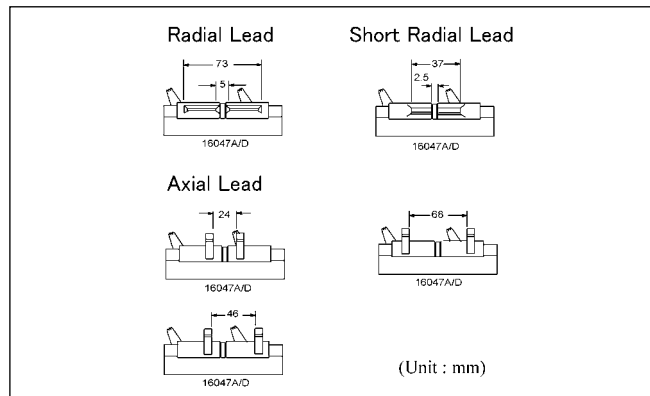
** applicable in a limited frequency range.

Frequency: DC to 13 MHz

Maximum Voltage: ± 40 V peak max (AC+DC)

Operating Temperature: 0°C to 55°C

DUT Size: See figure with module sizes.



16047A, 16047D module sizes

Furnished Accessories:

Description	P/N	Qty.
Module For Axial Lead	16061-70022	2
Module For Radial Lead mounting on fixture	16061-70021	2
Module For Short Radial Lead	16047-65001	2
Operating Note	16047-90011	1

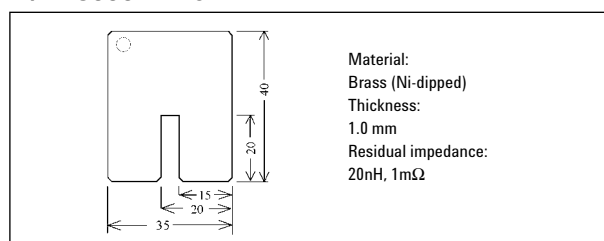
Each module size for the 16047A/D is shown above.

Option:

16047A-701: Add Shorting Plate P/N 5000-4226

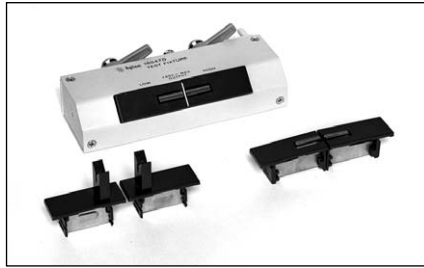
Compensation and Measurement: Select one of these modules suitable for the DUT's shape. Open and short compensations are recommended before measurement. Short compensation is performed by shorting the contacts of the test fixture with a shorting plate. After performing open and short compensations, the DUT is connected to the test fixture.

P/N 5000-4226



Shorting plate

16047D Test Fixture



Terminal Connector: 4-Terminal Pair, BNC

DUT Connection: 2-Terminal

Dimensions (approx.):

149 (W) x 40 (H) x 72 (D) [mm]

Weight (approx.): 230 g

Additional Error:

Type of Error	Impedance
Proportional Error	$\pm 1.25 \times (f/10)$

f: [MHz]

Description: This test fixture is designed for impedance evaluation of axial/radial lead type devices. The 16047D can be used up to a higher frequency, 40 MHz.

Applicable Instruments: 4263B, 4268A, 4279A*, 4284A*, 4285A, 4288A, E4981A, (4294A, E4980A)**

* denotes the instrument is obsolete.

** applicable in a limited frequency range.

Frequency: 100 Hz to 40 MHz

Maximum Voltage: ± 40 V peak max (AC+DC)

Operating Temperature: 0°C to 55°C

DUT Size: See the 16047A figure with module sizes.

Furnished Accessories:

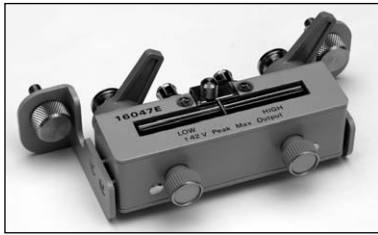
Description	P/N	Qty.
Module For Axial Lead	16061-70022	2
Module For Radial Lead mounting on fixture	16061-70021	2
Module For Short Radial Lead	16047-65001	2
Operating Note	16047-90300	1

Option:

16047D-701: Add Shorting Plate P/N 5000-4226

Compensation and Measurement: Open and short compensations are recommended before measurement. Short compensation is performed by shorting the contacts of the test fixture with a shorting plate. After performing open and short compensations, the DUT is connected to the test fixture.

16047E Test Fixture



Terminal Connector: 4-Terminal Pair, BNC

DUT Connection: 2-Terminal

Dimensions (approx.):

135 (W) x 40 (H) x 65 (D) [mm]

Weight (approx.): 200 g

Additional Error:

Type of Error	Impedance
Proportional Error f ≤ 15 MHz	0.2 x (f/10) ² [%]
Proportional Error f > 15 MHz	4 x (f/100)[%]
Open Repeatability	2 n+10 μ x (f/100) [S]
Short Repeatability	2 m+600 m x (f/100) [Ω]

f: [MHz]

Description: This test fixture is designed for impedance evaluation of lead type devices up to 110 MHz. A guard terminal is available for three terminal devices and a shorting plate comes secured on this fixture.

Applicable Instruments: 4263B, 4268A, 4279A*, 4284A*, 4285A, 4288A, 4294A, E4980A, E4981A

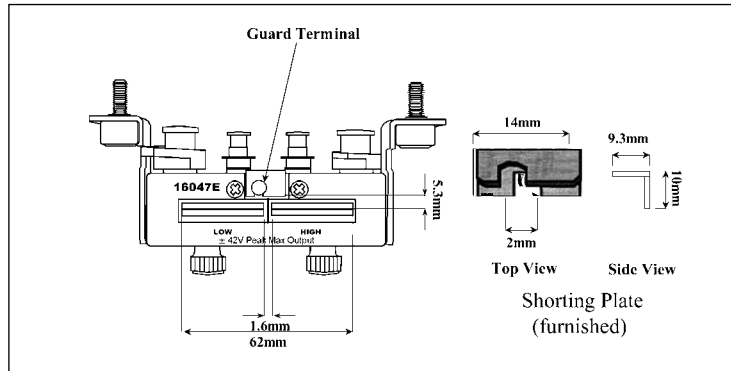
* denotes the instrument is obsolete.

Frequency: DC to 110 MHz

Maximum Voltage: ±42 V peak max.(AC+DC)

Operating Temperature: -20°C to 75°C

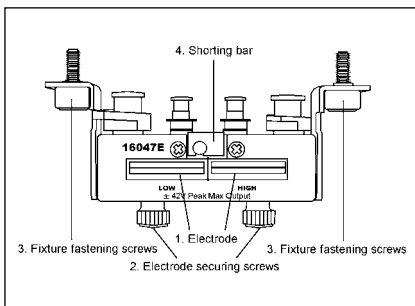
DUT Size: See figure below with 16047E's electrode size.



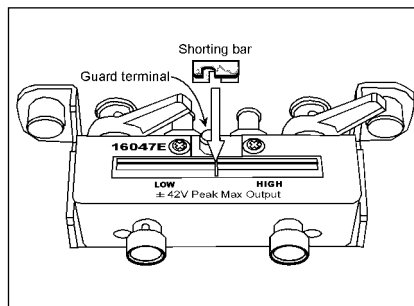
Furnished Accessories:

Description	P/N	Qty.
Angle (right-side)	16047-01221	1
Angle (left-side)	16047-01222	1
Screws	0515-0914	4
Shorting Plate	16047-00621	1
Operation and Service Manual	16047-90040	1

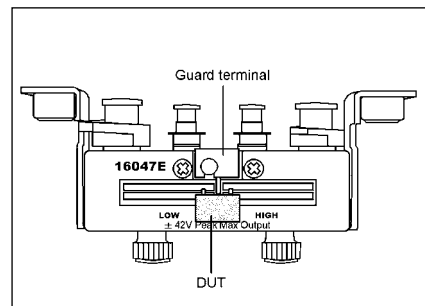
Compensation and Measurement: Open and short compensations are recommended before measurement. Short compensation is performed by shorting the contacts of the test fixture with a shorting plate. After performing open and short compensations, the DUT is connected to the test fixture. The following figures show how compensation and measurement are performed.



Test fixture overview

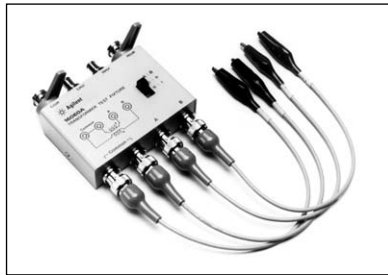


Connecting a shorting plate



Measuring 3-Terminal device

16060A Transformer Test Fixture



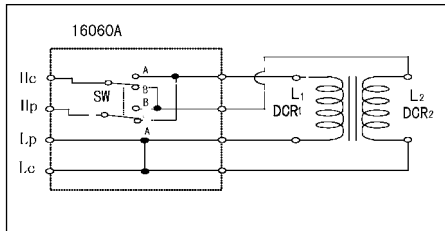
Terminal Connector: 4-Terminal Pair, BNC

DUT Connection:

2-Terminal for L measurement

3-Terminal for N, M measurement

See figure below for more information.



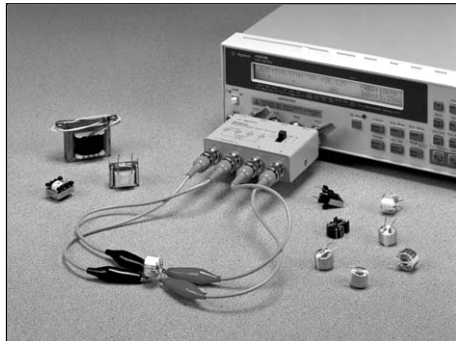
Dimensions (approx.):

90 (W) x 35 (H) x 90 (D) [mm]

Cable Length (approx.): 25cm

Weight (approx.): 300 g

Additional Error: The additional error is negligible when compared to the instrument's accuracy.



4263B with 16060A

Description: This test fixture provides a convenient means of measuring a transformer's self-inductance, mutual inductance, turns-ratio, and DC resistance in the frequency range of DC to 100 kHz, as appropriate for each measurement.

Applicable Instruments: 4263B with Option 4263B-001

Frequency: DC to 100 kHz

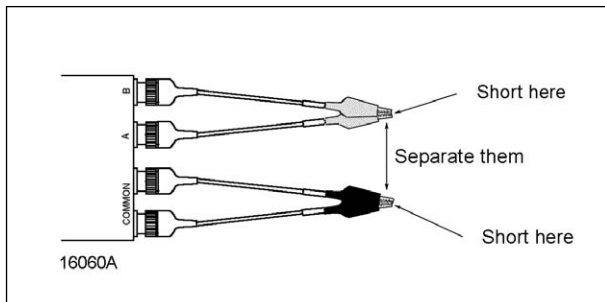
Operating Temperature: 0°C to 55°C

DUT Size: The lead wire of the transformer should not have a diameter greater than 4 mm, otherwise the alligator clip will not be able to clamp onto it properly.

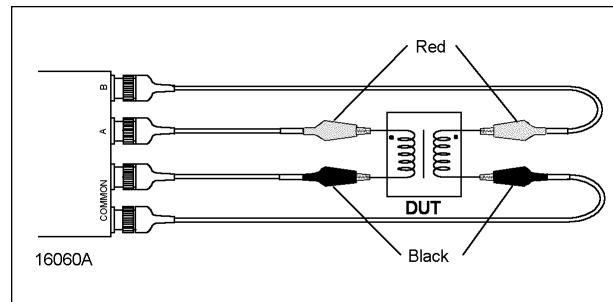
Furnished Accessories:

Description	P/N	Qty.
Test Leads (black), Alligator clip to BNC(m)	16060-61601	2
Test Leads (red), Alligator clip to BNC(m)	16060-61602	2
Operation and Service Manual	16060-90000	1

Compensation and Measurement: Open compensation is recommended before measurement. Open compensation is performed by connecting the alligator clips of "A" and "B" terminals together and separating them from the likewise connected alligator clips of the COMMON terminals. After performing open compensation, the transformer is connected to the test fixture. The "A" and "B" terminals are connected to the high terminals of the transformer. The COMMON terminals are connected to the low terminals of the transformer. The following figures show how compensation and measurement are performed.



Open compensation



Connecting a transformer

16034E Test Fixture



Terminal Connector: 4-Terminal Pair, BNC

DUT Connection: 2-Terminal

Dimensions (approx.):

128 (W) x 60 (H) x 71 (D) [mm]

Weight (approx.): 270 g

Additional Error:

Type of Error	Impedance
Proportional Error	$\pm 1.5 \times (f/10)^2$

f: [MHz]

Description: This test fixture is designed for impedance evaluations of SMD. The minimum SMD size that this fixture is adapted to evaluate is 1.6(L) x 0.8(W) [mm].

Applicable Instruments: 4263B, 4268A, 4279A*, 4284A*, 4285A, 4288A, E4980A, E4981A, (4294A)**

* denotes the instrument is obsolete.

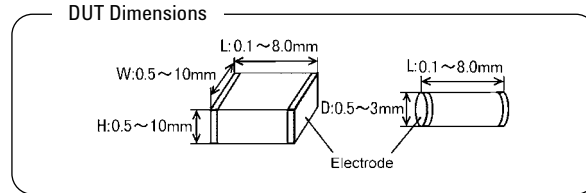
** applicable in a limited frequency range.

Frequency: DC to 40 MHz

Maximum Voltage: ± 40 V peak max (AC+DC)

Operating Temperature: 0°C to 55°C

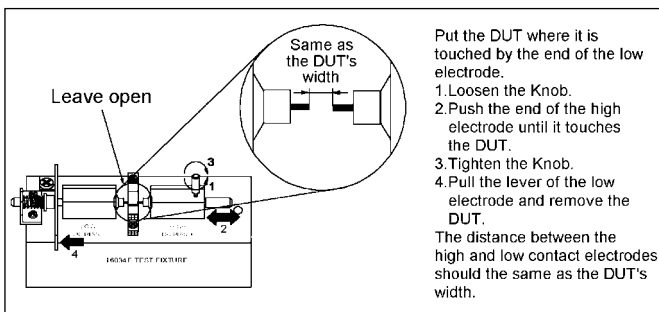
DUT Size: See figure below



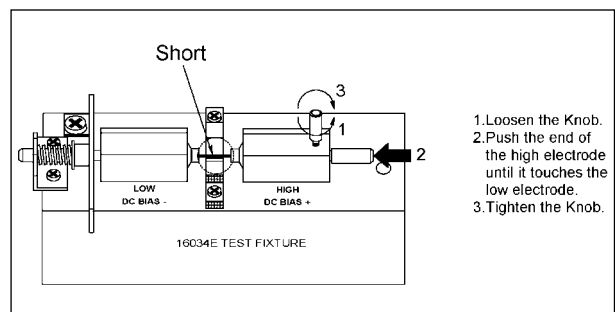
Furnished Accessories:

Description	P/N	Qty.
Operating Manual	16034-90041	1

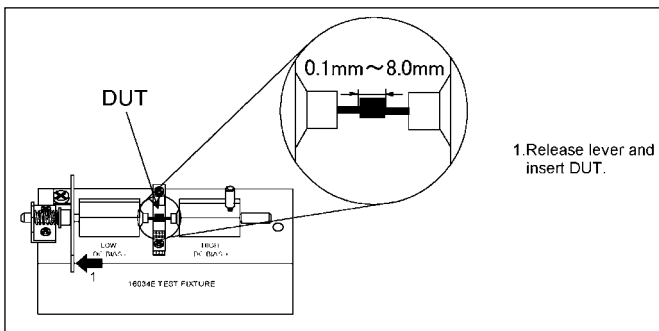
Compensation and Measurement: Open and short compensations are recommended before measurement. Open compensation is performed by separating the high and low electrodes from each other. The separation should be equivalent in size to the DUT's width. Short compensation is performed by contacting the high and low electrodes together. After performing open and short compensations, the DUT is inserted into the test fixture. The following figures show how compensation and measurement are performed.



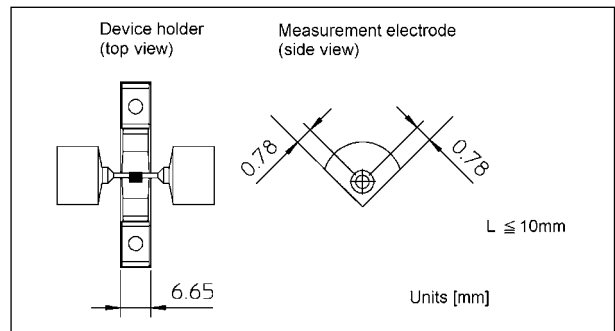
Open compensation



Short compensation

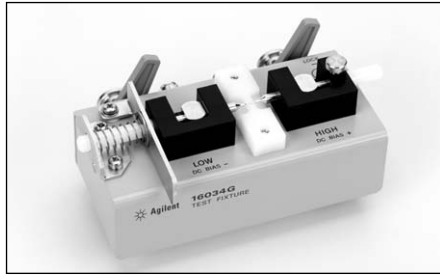


Inserting a DUT



Electrode dimensions

16034G Test Fixture



Terminal Connector: 4-Terminal Pair, BNC

DUT Connection: 2-Terminal

Dimensions (approx.):

120(W) x 50(H) x 70(D) [mm]

Weight (approx.): 200 g

Additional Error:

Type of Error	Impedance
Proportional Error	$0.5 \times (f/10)^2$ [%]
Open Repeatability	$5 + 500 \times (f/10)$ [nS]
Short Repeatability	$10 + 13 \times (f/10)$ [mΩ]

f: [MHz]



4284A with 16034G

Description: This test fixture is designed for impedance evaluations of SMD. The minimum SMD size that this fixture is adapted to evaluate is 0.6(L) x 0.3(W) [mm].

Applicable Instruments: 4263B, 4268A, 4279A*, 4284A*, 4285A, 4288A, 4294A, E4980A, E4981A

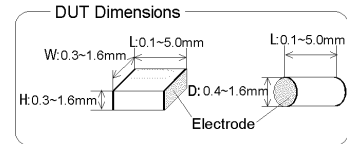
* denotes the instrument is obsolete.

Frequency: DC to 110 MHz

Maximum Voltage: ±40 V peak max (AC+DC)

Operating Temperature: 0°C to 55°C

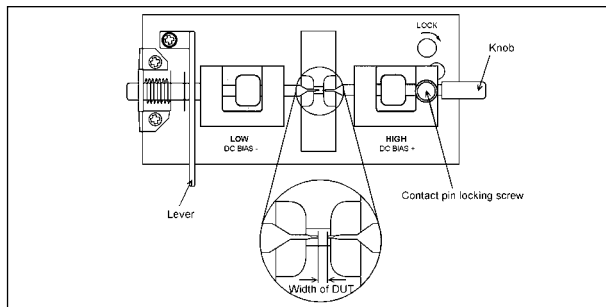
DUT Size: See figure below



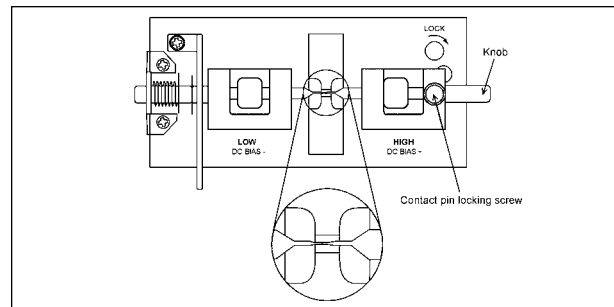
Furnished Accessories:

Description	P/N	Qty.
Case for 100 Ω SMD Resistance	1540-0692	1
100Ω Chip Resistor	0699-2488	10
Operation Manual	16034-90011	1

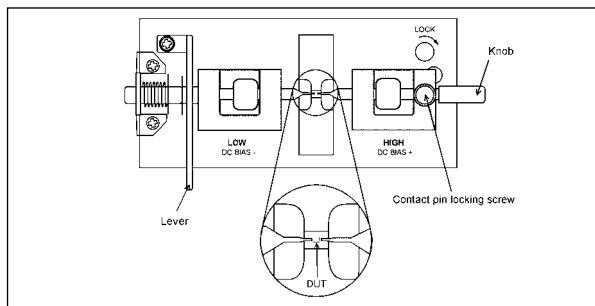
Compensation and Measurement: Open and short compensations are recommended before measurement. When measuring above 3 MHz, load compensation is also recommended. Open compensation is performed by separating the high and the low electrodes from each other. The separation size should be equivalent to the DUT's width. Short compensation is performed placing the high and low electrodes in contact together. Load compensation is performed by using the furnished 100 Ω SMD chip resistor. After performing open, short and load compensations, the DUT is inserted into the test fixture. The following figures show how compensation and measurement are performed.



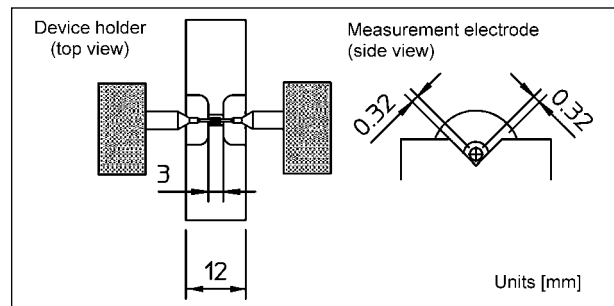
Open compensation



Short compensation

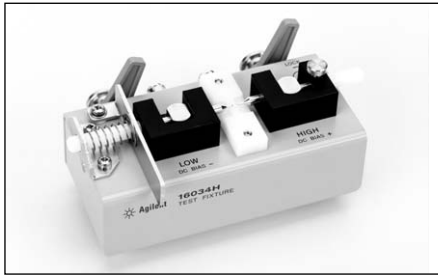


DUT measurement



Dimensions

16034H Test Fixture



Terminal Connector: 4-Terminal Pair, BNC

DUT Connection: 2-Terminal

Dimensions (approx.):
120(W) x 50(H) x 70(D) [mm]

Weight (approx.): 200 g

Additional Error:

Type of Error	Impedance
Proportional Error	$0.5 \times (f/10)^2[\%]$
Open Repeatability	$5 + 500 \times (f/10)$ [nS]
Short Repeatability	$10 + 13 \times (f/10)$ [mΩ]

f: [MHz]

Description: This test fixture is designed for impedance evaluations of array-type SMD. The minimum SMD size that this fixture is adapted to evaluate is 1.6(L) x 0.8(W) [mm]. Since the tip of the measurement electrodes are very thin and the device holder is extremely flat, the device can be shifted and the measurement electrodes can contact the each elements of the array-type component.

Applicable Instruments: 4263B, 4268A, 4279A*, 4284A*, 4285A, 4288A, 4294A, E4980A, E4981A

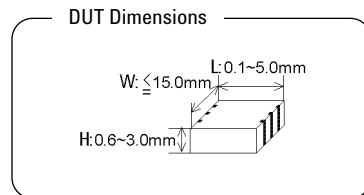
* denotes the instrument is obsolete.

Frequency: DC to 110 MHz

Maximum Voltage: ±40 V peak max (AC+DC)

Operating Temperature: 0°C to 55°C

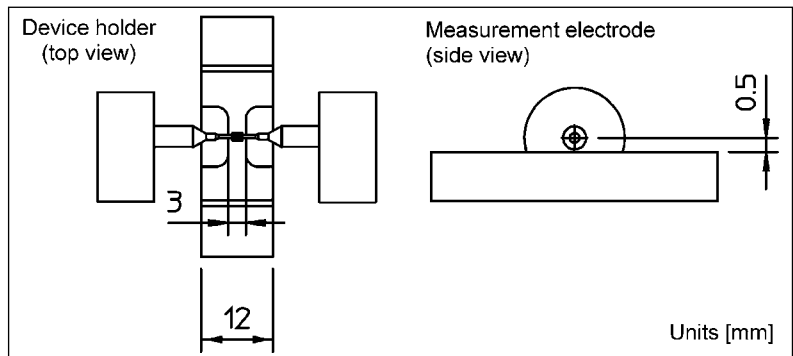
DUT Size: See figure below



Furnished Accessories:

Description	P/N	Qty.
Case for 100 Ω SMD Resistance	1540-0692	1
100Ω Chip Resistor	0699-2488	10
Operation Manual	16034-90012	1

Compensation and Measurement: Open and short compensations are recommended before measurement. When measuring above 3 MHz, load compensation is also recommended. Open compensation is performed by separating the high and low electrodes from each other. The separation should be equivalent in size to the DUT's width. Short compensation is performed by placing the high and low electrodes in contact together. Load compensation is performed by using the furnished 100 Ω SMD chip resistor. After performing open, short and load compensations, the DUT is inserted into the test fixture. Refer to the 16034G figures to see how compensation and measurement are performed.



Electrode dimensions

16044A Test Fixture



Terminal Connector: 4-Terminal Pair, BNC

DUT Connection: 4-Terminal

Dimensions (approx.):

160(W) x 70(H) x 98(D) [mm]

Weight (approx.): 550 g

Additional Error:

Type of Error	Impedance
Proportional Error	$2 \times (f/10)^2[\%]$
Open Repeatability	$1.5 + 200 \times (f/10)$ [nS]
Short Repeatability	$1.5 + 40 \times (f/10)$ [mΩ]

f: [MHz]

Description: This test fixture is designed for impedance evaluations of low impedance SMD. The minimum SMD size that this fixture is adapted to evaluate is 1.6(L) x 0.8(W) [mm]. The 16044A has a Kelvin (4-Terminal) contact, which ensures repeatable measurements. It is also equipped with a mechanism for easily performing open and short compensation.

Applicable Instruments: 4263B, 4268A, 4279A*, 4284A*, 4288A, 4338B, E4980A, E4981A, (4285A, 4294A)**

* denotes the instrument is obsolete.

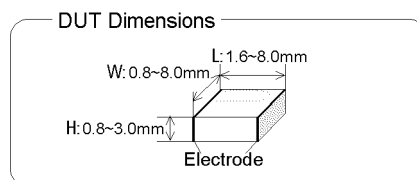
** applicable in a limited frequency range.

Frequency: DC to 10 MHz

Maximum Voltage: ±40 V peak max (AC+DC)

Operating Temperature: 0 °C to 55 °C

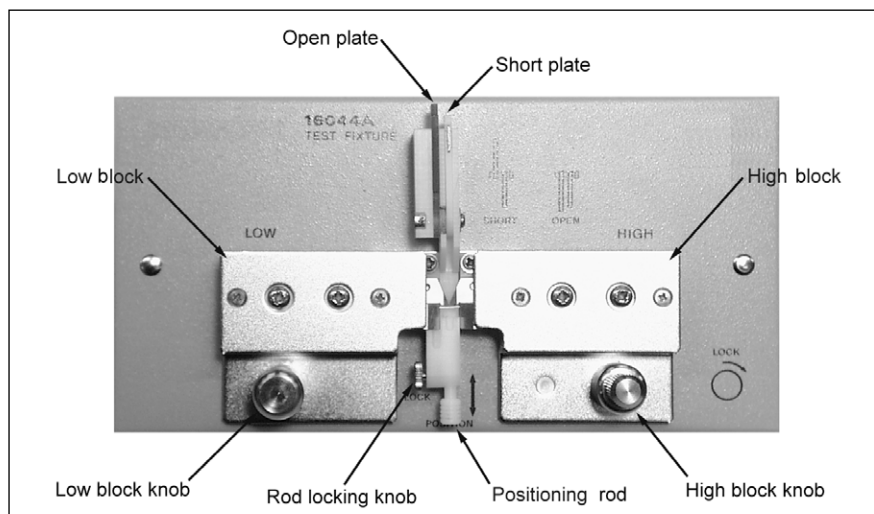
DUT Size: See figure below



Furnished Accessories:

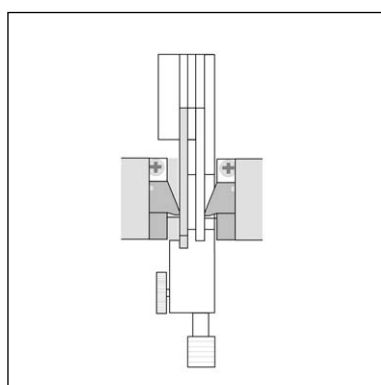
Description	P/N	Qty.
Cleaning Rod	5182-7586	1
Operation and Service Manual	16044-90020	1

To maintain the measurement precision, it is recommended that contact pins be replaced approximately every 50,000 times (supplementary value).

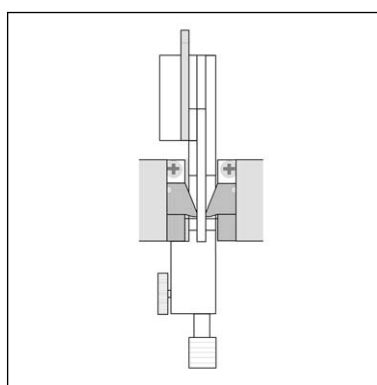


Test fixture overview

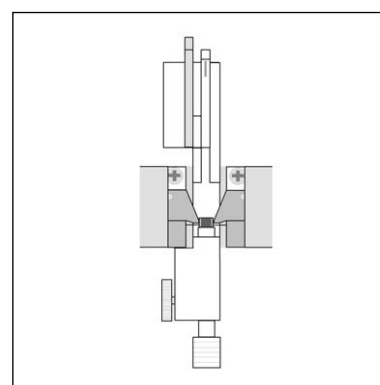
Compensation and Measurement: Open and short compensations are recommended before measurement. Short compensation is performed by bringing down the shorting plate (which is already on the fixture) to short all 4 terminals. Open compensation is performed by bringing down both the open plate and the shorting plate to separate the high terminals from the low terminals. After performing open and short compensations, the DUT is inserted into the test fixture. The figures below show how compensation and measurement are performed.



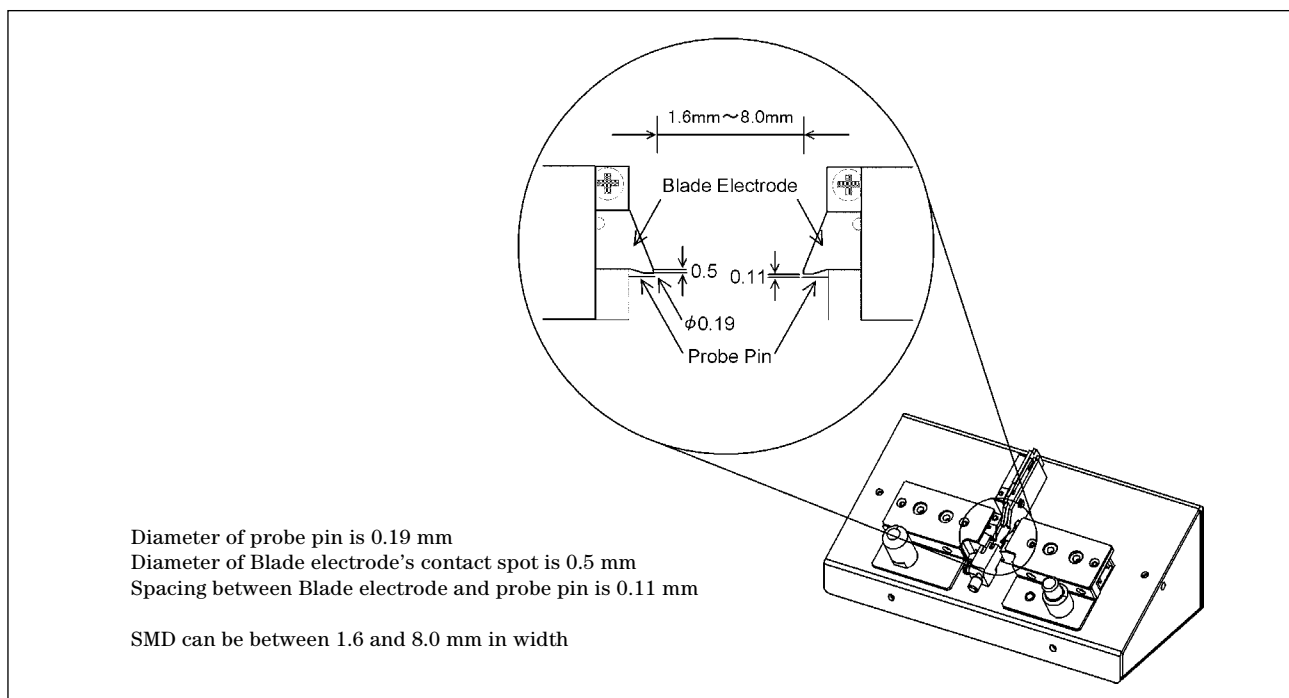
Open compensation



Short compensation

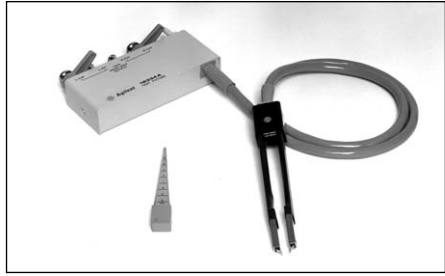


Inserting a DUT



Electrode dimensions

16334A Tweezers Contact Test Fixture



Terminal Connector: 4-Terminal Pair, BNC
DUT Connection: 2-Terminal
Cable Length (approx.): 1m (from BNC connectors to the top of tweezers)
Weight (approx.): 290 g
Additional Error:

Type of Error	Impedance
Proportional Error	$\pm 2 \times (f/10)^2$

f: [MHz]

Description: This test fixture is designed for impedance evaluations of SMD. The minimum SMD size that this fixture is adapted to evaluate is 1.6(L) x 0.8(W) [mm]. The tweezers' contacts on this fixture makes it easy to hold the DUT.

Applicable Instruments: 4263B, 4268A, 4279A*, 4284A*, 4288A, E4980A, E4981A, (4285A, 4294A)**

* denotes the instrument is obsolete.

** applicable in a limited frequency range.

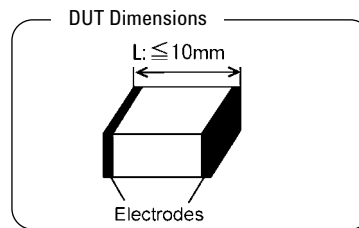
Frequency: 5 Hz to 15 MHz

Maximum Voltage: ± 42 V peak max (AC+DC)

Operating Temperature: 0°C to 55°C

DUT Size: ≤ 10 mm (width)

See figure below



Furnished Accessories:

Description	P/N	Qty.
Compensation Block	16334-60001	1
Operation Note	16334-90000	1

Compensation and Measurement: Open and short compensations are recommended before measurement. Open and short compensations are performed by using the furnished compensation block. After performing open and short compensations, the DUT is sandwiched by the tweezers' contacts and is measured.

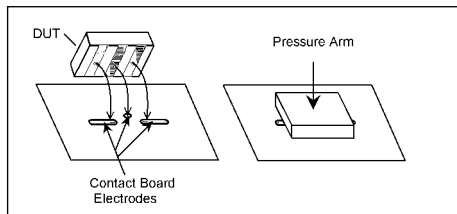
16043-60011/12
3-Terminal SMD Test Fixture



Terminal Connector: 4-Terminal Pair, BNC

DUT Connection:

3-Terminal (including the guard terminal)



Dimensions (approx.):

75 (W) x 105 (H) x 95 (D) [mm]

Weight (approx.): 500 g (16043-60011)

330 g (16043-60012)

Additional Error:

Type of Error	Impedance
Proportional Error	$0.4 + 7.2 \times (f/100)^2$ [%]
Open Repeatability	$10 + 600 \times (f/10)$ [nS]
Short Repeatability	$30 + 6 \times (f/10)$ [mΩ]

Guard Terminal Residual L: ≤ 6 nH

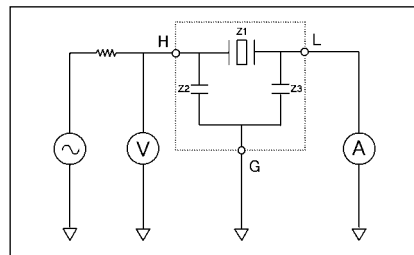
Guard Terminal Residual R: ≤ 20 mΩ

The additional error shown above is the characteristics of when the DUT connection is 2-Terminal. Ideally, in a 3-Terminal DUT connection, the guard effect should be taken into account in the measurement accuracy. To acknowledge the guard terminal's effect, a characteristics equation is provided in the operation manual.

Description: The 16043-60011 or 16043-60012 enable 3-Terminal resonator SMD to be measured by using the guarding technique. Having a 4-Terminal Pair configuration it ensures high precision and repeatability. These fixtures accommodate a wide range of SMD sizes by providing 3 different contact boards. The 16043-60011 is equipped with a sliding mechanism to enable the measurement of load capacitors in the 3-Terminal resonator. The 16043-60012 is not equipped with the sliding mechanism. 2-Terminal SMD with bottom electrodes can be measured as well. As shown in the figure below, by connecting the device's G-terminal to instrument's guard terminal, only Z1 of the resonator will be measured.

16043-60011/12 3-Terminal SMD Test Fixtures

Description	P/N	Qty.
With sliding function	16043-60011	1
Without sliding function	16043-60012	1



Guarding technique of an impedance measurement instrument

In order to measure Z2 and Z3, the sliding function of 16043-60011 can be utilized.

Applicable Instruments: 4263B, 4268A, 4279A*, 4284A*, 4285A, 4288A, 4294A, E4980A, E4981A

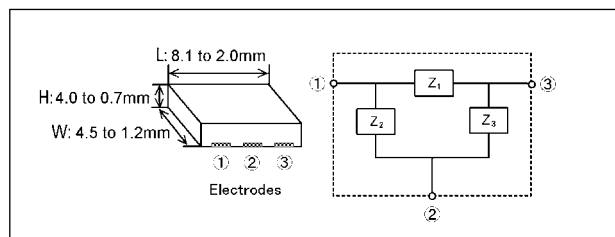
* denotes the instrument is obsolete.

Frequency: DC to 110 MHz

Maximum Voltage: ± 42 V peak max (AC + DC)

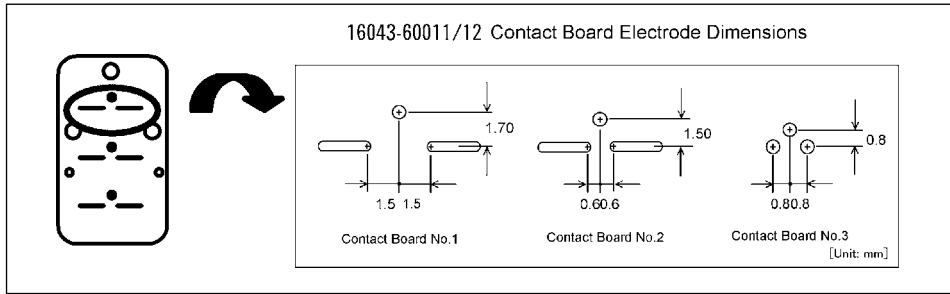
Operating Temperature: 0°C to 70°C

DUT Size: The applicable DUT dimensions are shown below. A contact board is required for measurement and its dimensions and ordering info are shown on the next page.



Electrode configuration of DUT and applicable DUT dimensions

DUT Size:



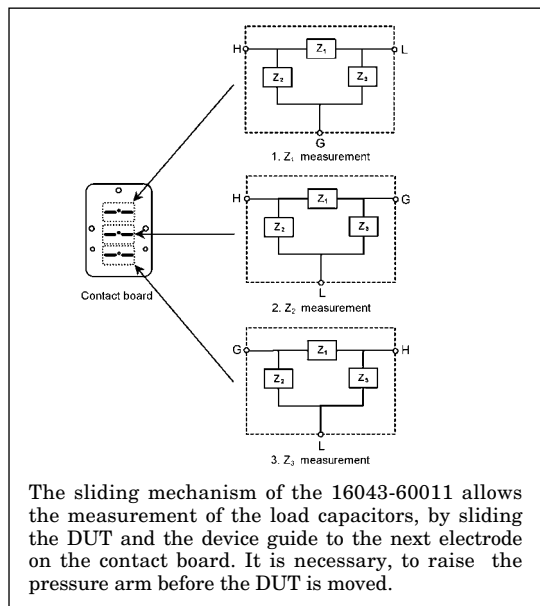
Electrode configuration for 16043-60011/12 contact board

Three types of contact boards are available for the 16043-60011/12 and the contact boards are selected accordingly to the DUT size and electrodes' separation. The electrode spacings on the contact boards are shown in the figure above. The 16043-60011's contact boards are provided with three groups of electrodes (as shown in the figure above) and the sliding mechanism allows the DUT to slide down to the next group of electrode. In order to lay the DUT at an appropriate position on the contact board, a device guide fabricated to fit the size of the DUT is required.

Contact Board	Applicable DUT Size
No.1	8.1 mm × 4.5 mm to 3.7 mm × 3.1 mm
No.2	3.7 mm × 3.1 mm to 2.5 mm × 2.0 mm
No.3	2.5 mm × 2.0 mm to 2.0 mm × 1.2 mm

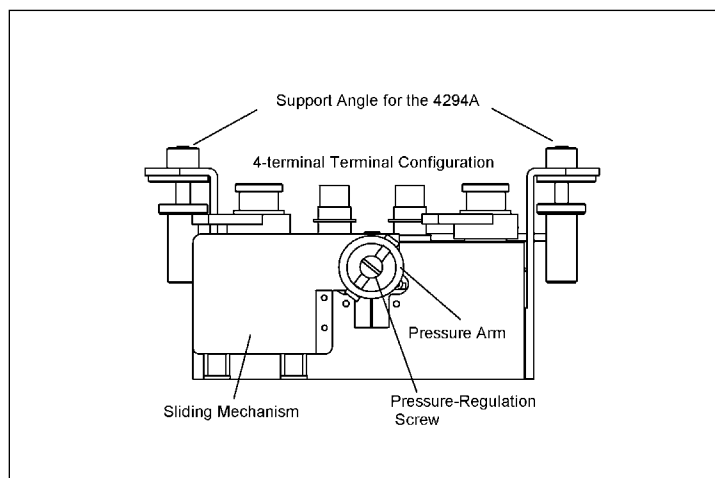
Select the contact boards, that accommodates the DUT size best. The table to the left shows the applicable DUT sizes for each contact board.

To maintain the measurement precision, it is recommended to clean the contact boards approximately every 1,000 times. It is recommended to replace the contact boards approximately every 10,000 times.



The sliding mechanism of the 16043-60011 allows the measurement of the load capacitors, by sliding the DUT and the device guide to the next electrode on the contact board. It is necessary, to raise the pressure arm before the DUT is moved.

Sliding mechanism for 16043-60011



Test fixture overview

Compensation and Measurement: Before measurement, a device guide, which is fabricated to fit the DUT's size must be prepared. The method of preparation is described in the operation manual. The contact board and the device guide must be connected to the 16043-60011/12. This is easily accomplished by using the guide pin and screws. For highly precise measurements, it is recommended to perform open and short compensation. Open compensation is performed, by placing nothing between the high and low terminals of the contact board. For short compensation, short the high and low terminals and do not contact the G terminal with the short bar. It is necessary to construct a short bar, which matches the DUT's size. The following figures show how compensation and measurement are performed.

Necessary Accessories:
(for 16043-60011)

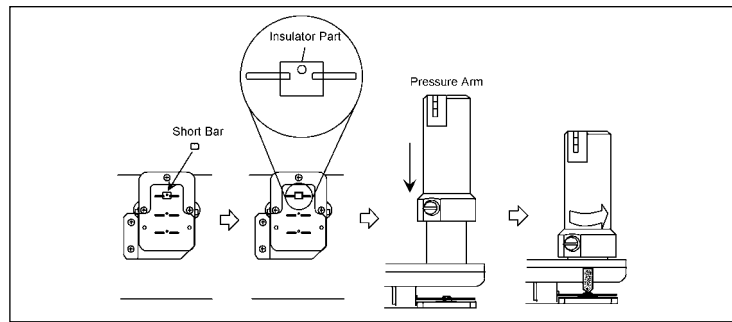
Description	P/N	Qty.
Support Angle for 4294A ¹	16043-01203	(1)
Support Angle ²	16043-01212	(1)
Contact Board No.1 ³	16043-66501	1
Contact Board No.2 ³	16043-66502	1
Contact Board No.3 ³	16043-66503	1
Device Guide	16043-00601	1
Screw for Contact Board	0515-0977	3
Screw for Device Guide	0515-2791	2
Positioning Pin	16043-24004	2

(for 16043-60012)

Description	P/N	Qty.
Support Angle for 4294A ¹	16043-01203	(1)
Support Angle ²	16043-01212	(1)
Contact Board No.1 ³	16043-66511	1
Contact Board No.2 ³	16043-66512	1
Contact Board No.3 ³	16043-66513	1
Device Guide	16043-00601	1
Screw for Contact Board	0515-0977	3
Screw for Device Guide	0515-2791	2
Positioning Pin	16043-24004	2
Positioning Tool	16043-00607	1

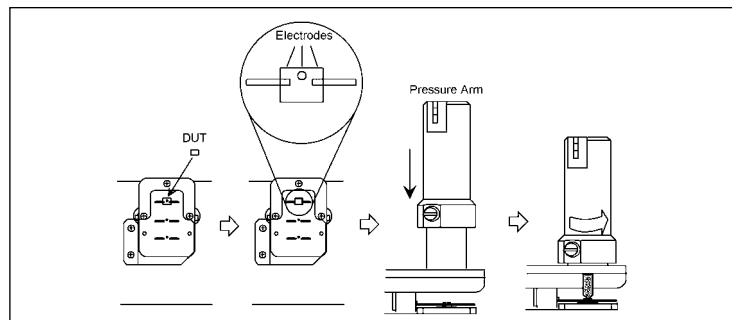
The parts listed above are not furnished as standard. These parts should be ordered separately. The operation and service manual is also not furnished as standard. The manual is downloadable from Agilent website (www.agilent.com). Search the web using the keyword "16043A" or "16043B".

Performing short compensation



1. Place the short bar on the electrodes. Make sure that the short bar does not connect the G terminal.
2. Lower the pressure arm to hold the short bar in place.
3. Perform short compensation data measurement.

Inserting a DUT



1. Align the DUT with the device guide and place it on the contact board.
2. Lower the pressure arm to hold the DUT in place.
3. Adjust the contact pressure using the pressure regulating screw.
4. Measure.

1. Necessary when used with the 4294A.

2. Necessary when used with the 4279A, 4284A, 4285A. When used with other LCR meters, the support angle is unnecessary.

3. Order the appropriate contact board according to the DUT size.

16089A Large Kelvin Clip Leads**Terminal Connector:**

4-Terminal Pair, BNC

DUT Connection: 4-Terminal**Cable Length (approx.):**

0.94m (from connector to clip's tip)

Weight (approx.): 300 g**Additional Error:** The additional error is negligible when compared to the instrument's accuracy.

Description: This test fixture makes it possible to measure odd-shaped components that cannot be measured with conventional fixtures. It is equipped with two insulated Kelvin clips.

Applicable Instruments: 4263B, 4268A, (4284A*, 4285A, 4288A, 4294A, E4980A, E4981A)**

* denotes the instrument is obsolete.

** applicable in a limited frequency range.

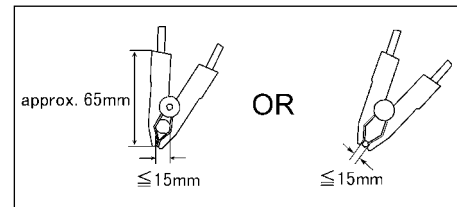
Frequency: 5 Hz to 100 kHz

Maximum Voltage: ± 42 V peak max (AC+DC)

Operating Temperature: 0°C to 55°C

DUT Size:

See figure below

**Furnished Accessories:**

Description	P/N	Qty.
Operation and Service Manual	16089-90020	1

Compensation and Measurement: Open and short compensations are recommended before measurement. For open compensation, do not connect the Kelvin clips to anything. Short compensation is performed by holding a shorting plate with the Kelvin clips. After performing open and short compensations, the DUT is held with the Kelvin clips.

Description: This test fixture makes it possible to measure odd-shaped components that cannot be measured with conventional fixtures. It is equipped with two insulated Kelvin clips.

Applicable Instruments: 4263B, 4268A, (4284A*, 4285A, 4288A, 4294A, E4980A, E4981A)**

* denotes the instrument is obsolete.

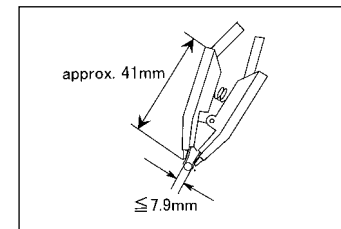
** applicable in a limited frequency range.

Frequency: 5 Hz to 100 kHz

Maximum Voltage: ± 42 V peak max (AC+DC)

Operating Temperature: 0°C to 55°C

DUT Size: See figure below

**Furnished Accessories:**

Description	P/N	Qty.
Operation and Service Manual	16089-90020	1

Compensation and Measurement: Open and short compensations are recommended before measurement. For open compensation, do not connect the Kelvin clips to anything. Short compensation is performed by connecting the Kelvin clips together. After performing open and short compensations, the DUT is held with the Kelvin clips.

16089B Medium Kelvin Clip Leads

Terminal Connector: 4-Terminal Pair, BNC

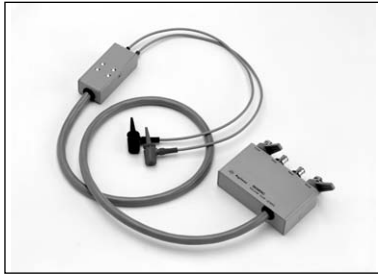
DUT Connection: 4-Terminal

Cable Length (approx.):

0.94m (from connector to clip's tip)

Weight (approx.): 300 g

Additional Error: The additional error is negligible when compared to the instrument's accuracy.

16089C Kelvin IC Clip Leads

Terminal Connector: 4-Terminal Pair, BNC

DUT Connection: 4-Terminal

Cable Length (approx.):

1.3m (from connector to clip's tip)

Weight (approx.): 300 g

Additional Error: The additional error is negligible when compared to the instrument's accuracy.

Description: This test fixture makes it possible to measure odd-shaped components that cannot be measured with conventional fixtures. It is equipped with two insulated Kelvin clips.

Applicable Instruments: 4263B, 4268A, (4284A*, 4285A, 4288A, 4294A, E4980A, E4981A)**

* denotes the instrument is obsolete.

** applicable in a limited frequency range.

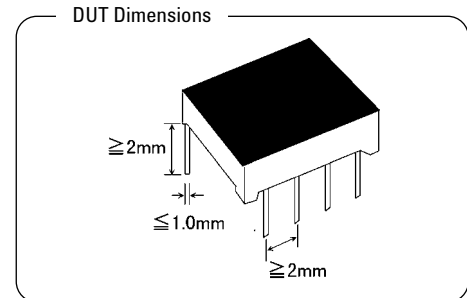
Frequency: 5 Hz to 100 kHz

Maximum Voltage: ± 42 V peak max (AC+DC)

Operating Temperature: 0°C to 55°C

DUT Size:

See figure below

**Furnished Accessories:**

Description	P/N	Qty.
Operation and Service Manual	16089-90020	1

Compensation and Measurement: Open and short compensations are recommended before measurement. For open compensation, do not connect the Kelvin clips to anything. Short compensation is performed by connecting the Kelvin clips together. After performing open and short compensations, the DUT is held with the Kelvin clips.

Description: This test fixture makes it possible to measure odd-shaped components that cannot be measured with conventional fixtures. It is equipped with four alligator clips.

Applicable Instruments: 4263B, 4268A, (4284A*, 4285A, 4288A, 4294A, E4980A, E4981A)**

* denotes the instrument is obsolete.

** applicable in a limited frequency range.

Frequency: 5 Hz to 100 kHz

Maximum Voltage: ± 42 V peak max (AC+DC)

Operating Temperature: 0°C to 55°C

DUT Size: diameter of DUT's leads ≤ 5 mm

Furnished Accessories:

Description	P/N	Qty.
Operation and Service Manual	16089-90020	1

Compensation and Measurement: Open and short compensations are recommended before measurement. For open compensation, do not connect the alligator clips to anything. Short compensation is performed by holding a shorting plate with the alligator clips. Make sure that the alligator clips with the "V" markers are next to each other. After performing open and short compensations, the DUT is held with the alligator clips. Connect the same color test clips to the same terminal of the DUT and have the clips with "V" markers be closer to the DUT.

16089D Kelvin Alligator Clip Leads

Terminal Connector: 4-Terminal Pair, BNC

DUT Connection: 4-Terminal

Cable Length (approx.):

0.94m (from connector to clip's tip)

Weight (approx.): 460 g

Additional Error: The additional error is negligible when compared to the instrument's accuracy.

16089E Kelvin Clip Leads



Terminal Connector: 4-Terminal Pair, BNC

DUT Connection: 4-Terminal

Cable Length (approx.):

1m (from connector to clip's tip)

Weight (approx.): 260 g

Additional Error: The additional error is negligible when compared to the instrument's accuracy.

Description: This test fixture can measure lead components with low impedance. It has excellent repeatability and low contact resistance. It is equipped with two insulated Kelvin clips.

Applicable Instruments: 4263B, 4268A, (4284A*, 4285A, 4288A, 4294A, E4980A, E4981A)**

* denotes the instrument is obsolete.

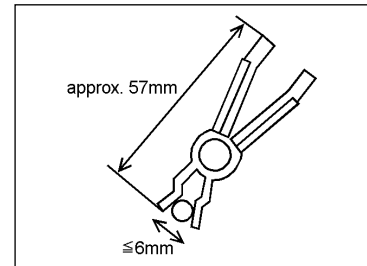
** applicable in a limited frequency range.

Frequency: 5 Hz to 100 kHz

Maximum Voltage: ±42 V peak max (AC+DC)

Operating Temperature: 0°C to 55°C

DUT Size: See figure below



Furnished Accessories:

Description	P/N	Qty.
Operation Note	16089-90001	1

Compensation and Measurement: Open and short compensations are recommended before measurement. For open compensation, do not connect the Kelvin clips to anything. Short compensation is performed by holding a shorting plate with the Kelvin clips. After performing open and short compensations, the DUT is held with the Kelvin clips.

16048A Test Leads

Terminal Connector: 4-Terminal Pair, BNC

Cable Length (approx.):

0.94m (from connector to cable tip)

Cable Tip: BNC (male)

Weight (approx.): 315 g

Additional Error: For detailed information, refer to the measurement instrument's specifications.

Description: The test leads extend the measurement port with a 4-Terminal Pair configuration. It is provided with a BNC female connector board to allow the attachment of user-fabricated test fixtures.

Applicable Instruments: 4263B, 4268A, 4279A*, 4284A*, 4285A, 4288A, E4980A, E4981A

* denotes the instrument is obsolete.

Frequency: DC to 30 MHz

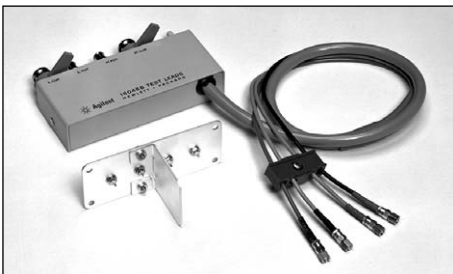
Maximum Voltage: ± 40 V peak max (AC+DC)

Operating Temperature: 0°C to 55°C

Furnished Accessories:

Description	P/N	Qty.
Terminal Board with BNC(f)x4	16032-60001	1
Operation Manual	16048-90001	1

Compensation and Measurement: Cable length compensation is recommended before measurement. Set the instrument's cable length compensation function to 1 m.

16048-60030 Test Leads

Terminal Connector: 4-Terminal Pair, BNC

Cable Length (approx.):

1m (from connector to cable tip)

Cable Tip: SMC (female)

Weight (approx.): 250 g

Additional Error: For detailed information, refer to the measurement instrument's specifications.

Description: The test leads extend the measurement port with a 4-Terminal Pair configuration. The SMC connector board is available (P/N 16033-60001), which allows the attachment of user-fabricated test fixtures.

Applicable Instruments: 4263B, 4268A, 4279A*, 4284A*, 4285A, 4288A, E4980A, E4981A

* denotes the instrument is obsolete.

Frequency: DC to 30 MHz

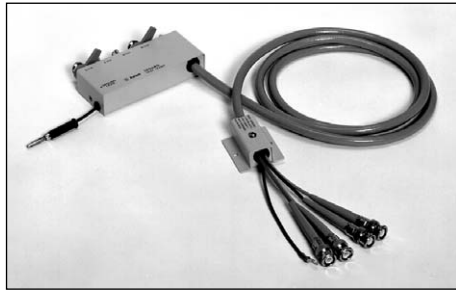
Maximum Voltage: ± 40 V peak max (AC+DC)

Operating Temperature: 0°C to 55°C

Compensation and Measurement: Cable length compensation is recommended before measurement. Set the instrument's cable length compensation function to 1 m.

Note: The operating note for this product is not furnished as standard. It is downloadable from the Agilent website (www.agilent.com). Search the web using the keyword "16048B".

16048D Test Leads



Terminal Connector: 4-Terminal Pair, BNC

Cable Length (approx.):

1.89 m (from connector to cable tip)

Cable Tip: BNC (male)

Weight (approx.): 460 g

Additional Error: For detailed information, refer to the measurement instrument's specifications.

Description: The test leads extend the measurement port with a 4-Terminal Pair configuration. It is provided with a BNC female connector board to allow the attachment of user-fabricated test fixtures.

Applicable Instruments: 4263B, 4268A, 4279A*, 4284A*¹, 4285A, 4288A, E4980A, E4981A

* denotes the instrument is obsolete.

1. Requires Option 006.

Frequency: DC to 30 MHz

Maximum Voltage: ±40 V peak max (AC+DC)

Operating Temperature: 0°C to 55°C

Furnished Accessories:

Description	P/N	Qty.
Terminal Board with BNC(f)x4	16032-60001	1
Operation Manual	16048-90031	1

Compensation and Measurement: Cable length compensation is recommended before measurement. Set the instrument's cable length compensation function to 2 m.

16048E Test Leads



Terminal Connector: 4-Terminal Pair, BNC

Cable Length (approx.): 3.8 m(from connector to cable tip)

Cable Tip: BNC (male)

Weight (approx.): 690 g

Additional Error: For detailed information, refer to the measurement instrument's specifications.

Description: The test leads extend the measurement port with a 4-Terminal Pair configuration. It is provided with a BNC female connector board to allow the attachment of user-fabricated test fixtures.

Applicable Instruments: 4263B, 4284A*¹, E4980A

* denotes the instrument is obsolete.

1. Requires Option 006.

Frequency: DC to 2 MHz

Maximum Voltage: ±40 V peak max (AC+DC)

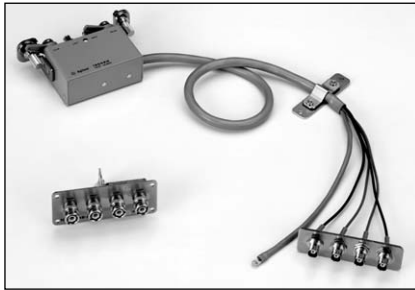
Operating Temperature: 0°C to 55°C

Furnished Accessories:

Description	P/N	Qty.
Terminal Board with BNC(f)x4	16032-60001	1
Operation Manual	16048-90041	1

Compensation and Measurement: Cable length compensation is recommended before measurement. Set the instrument's cable length compensation function to 4 m.

16048G Test Leads



Terminal Connector: 4-Terminal Pair, BNC

Cable Length (approx.): 1 m

Cable Tip: BNC (female)

Weight (approx.): 460 g

Additional Error: For detailed information, refer to the operation manual or the specifications of 4294A.

Description: The test leads extend the measurement port with a 4-Terminal Pair configuration. It is provided with a BNC male connector board to allow the attachment of user-fabricated test fixtures.

Applicable Instrument: 4294A

Frequency: DC to 110 MHz

Maximum Voltage: ±42 V peak max (AC+DC)

Operating Temperature: -20°C to 150°C

Furnished Accessories:

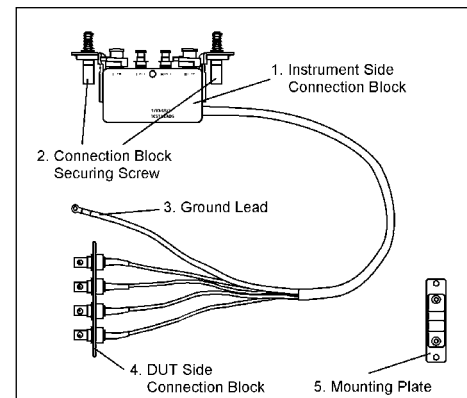
Description	P/N	Qty.
Mounting Plate	NA	1
Operation and Service Manual	16048-90050	1

Options:

16048G-001: Add BNC Bracket* (P/N 16048-60003)

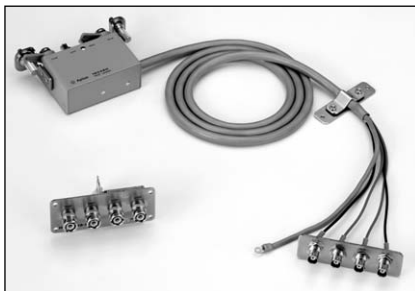
* Here the BNC Bracket refers to the terminal board with four BNC (m) connectors.

Compensation and Measurement: Adapter setup is recommended before measurement. In the adapter setup menu, select 4TP 1M. Then use the 100 Ω resistor furnished with the 4294A to perform phase compensation and load data measurement.



Test fixture overview

16048H Test Leads



Terminal Connector: 4-Terminal Pair, BNC

Cable Length (approx.): 2 m

Cable Tip: BNC (female)

Weight (approx.): 690 g

Additional Error: For detailed information, refer to the operation manual or the specifications of 4294A.

Description: The test leads extend the measurement port with a 4-Terminal Pair configuration. It is provided with a BNC male connector board to allow the attachment of user-fabricated test fixtures.

Applicable Instrument: 4294A

Frequency: DC to 110 MHz

Maximum Voltage: ±42 V peak max (AC+DC)

Operating Temperature: -20°C to 150°C

Furnished Accessories:

Description	P/N	Qty.
Mounting Plate	NA	1
Operation and Service Manual	16048-90050	1

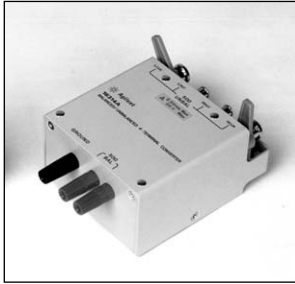
Options:

16048H-001: Add BNC Bracket* (P/N 16048-60003)

* Here the BNC Bracket refers to the terminal board with four BNC (m) connectors.

Compensation and Measurement: Adapter setup is recommended before measurement. In the adapter setup menu, select 4TP 2M. Then use the 100 Ω resistor furnished with the 4294A to perform phase compensation and load data measurement.

16314-60011 Balanced/Unbalanced 4-Terminal Converter



Terminal Connector: 4-Terminal Pair, BNC (unbalanced)

DUT Connection: 3 binding posts (balanced)

Dimensions (approx.):

89 (W) x 56 (H) x 133 (D) [mm]

Weight (approx.): 400 g

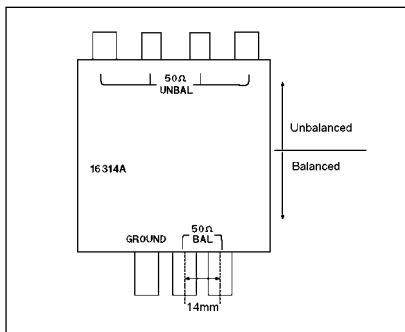
Additional Error:

Frequency Range	Error
100 Hz ≤ f < 1 MHz	±0.2%
1 MHz ≤ f < 3 MHz	±0.5%
f ≥ 3 MHz	±2%

(Typical Data)



4294A with 16314-60011



Description: This balun converts the (unbalanced) 4-Terminal pair configuration to a (balanced) binding posts configuration. It is used to measure a balanced device using an unbalanced measurement instrument.

Applicable Instruments: 4263B, 4268A, 4279A*, 4288A, E4981A (4284A*, 4285A, 4294A, E4980A)**

* denotes the instrument is obsolete.

** applicable in a limited frequency range.

Frequency: 100 Hz to 10 MHz

Nominal Characteristic Impedance:

Unbalanced Side: 50 Ω

Balanced Side: 50 Ω

Insertion Loss: ≤1.0 dB (@ 23°C±5°C, 100 kHz)

Frequency Response: ≤ ±1.0 dB (@ 23°C±5°C, 100 kHz)

Frequency	Return loss
100 Hz ≤ f < 300 Hz	≥ 10 dB
300 Hz ≤ f ≤ 7 MHz	≥ 20 dB
7 MHz < f ≤ 10 MHz	≥ 17 dB

Frequency	Common mode loss
100 Hz ≤ f < 3 MHz	≥ 50 dB
3 MHz ≤ f ≤ 5 MHz	≥ 45 dB
5 MHz < f ≤ 10 MHz	≥ 40 dB

specified @ 23°C±5°C

Operating Temperature: 0°C to 55°C

DUT Size: Terminal spacing of balanced side: 14 mm

Compensation and Measurement: Open, short and load compensations at the measurement terminals of the balun are recommended before measurement. Short compensation is performed by shorting the binding posts together with the shorting plate. Load compensation is performed by using the 50 Ω load resistor. After performing open, short and load compensations, the DUT is connected to the binding posts of the balun.

Necessary Accessories:

Description	P/N	Qty.
50 Ω load resistor	16315-60002	1
Shorting Plate	16315-60003	1

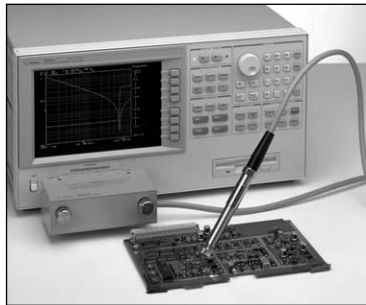
The 50 Ω load resistor, the shorting plate and the operation and service manual are not furnished as standard. The parts should be ordered separately. The operation and service manual is downloadable from the Agilent website (www.agilent.com). Search the web using the keyword “16314A”.

Note: Agilent also provides following baluns for network analyzers: 16315-60011, 16316A, 16317A

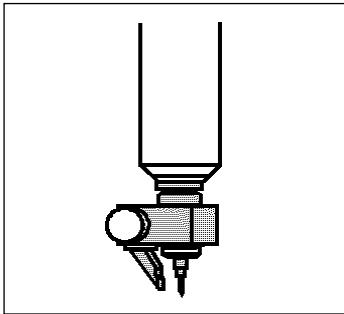
42941A Impedance Probe Kit



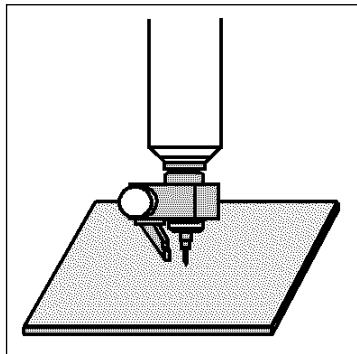
Terminal Connector: 4-Terminal Pair, BNC
Cable Length (approx.): 1.5 m
Weight (approx.): 2400 g
Basic Measurement Accuracy: $\pm 1\%$
 For detailed information, refer to the operation manual or the specifications of 4294A.



4294A with 42941A



Open compensation



Short compensation

Description: This impedance probe kit is designed for use with the 4294A. It provides the capability to perform in-circuit measurements (printed circuit patterns, the input/output impedance of circuits, etc.) with better accuracy and wider impedance coverage from 40 Hz to 110 MHz. DUTs can be connected by either using the standard probe, the alligator clip adapter or the BNC adapter. The standard probe is best for in-circuit, board-mounted components. The alligator clip is for components too large for the standard probe tip. The BNC adapter is used to connect circuits or networks equipped with BNC connectors.

Applicable Instrument: 4294A

Frequency: 40 Hz to 110 MHz

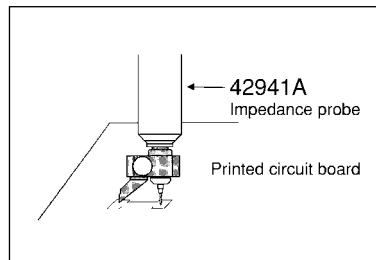
Maximum Voltage: ± 42 V peak max (AC+DC)

Operating Temperature: -20°C to $+75^{\circ}\text{C}$ (probe only)

Furnished Accessories:

Description	P/N	Qty.
Pin Probe	42941-60002	1
Adapter BNC-SMB	1253-0476	1
Spare Pin Set (3 ea.)	42941-60004	1
3.5 mm SHORT	1250-2840	1
3.5 mm LOAD	0955-1105	1
Clip lead	8121-0003	1
Ground lead	04193-61629	1
Carrying case	42941-60011	1
Operation and Service Manual	42941-90010	1

Compensation and Measurement: Adapter setup and compensation is required before measurement. In the Adapter setup menu, select PROBE 42941A. Use the furnished 3.5 mm short and load standards. The open condition can be created by not connecting the probe to anything. Perform phase compensation, short and load data measurements. For compensation, open and short compensation is recommended. Short compensation is performed by shorting the probe. To short the probe it is recommended to use a shorting device with gold-plated surfacing (which provides stable contact resistance).

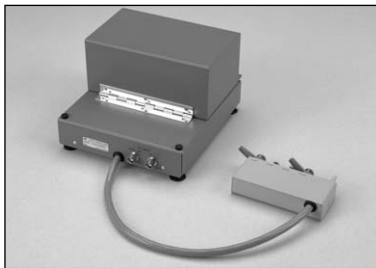


In-circuit measurement

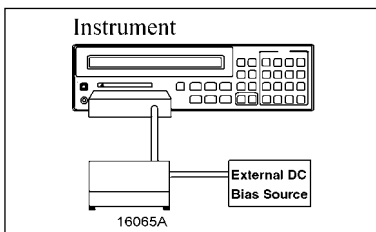
16065A 200Vdc External Voltage Bias Fixture



Terminal Connector: 4-Terminal Pair, BNC
DUT Connection: 4-Terminal
External Bias Input connector: High Voltage BNC(f)
Dimensions (approx.): 180(W) x 120(H) x 200(D) [mm]
Cable Length (approx.): 40 cm
Weight (approx.): 1500 g

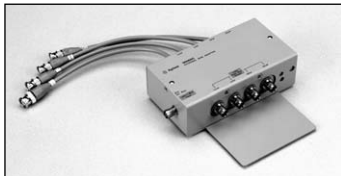


High Voltage BNC(f) connector for external bias input
 BNC(f) connector for voltage monitor output

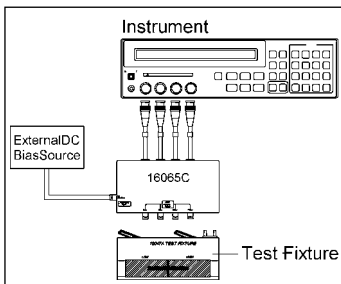


LCR meter with 16065A

16065C 40Vdc External Voltage Bias Adapter



Terminal Connector: 4-Terminal Pair, BNC
External Bias Input connector: BNC(f)
Dimensions (approx.): 160(W) x 50(H) x 150(D) [mm]
Cable Length (approx.): 210 mm
Weight (approx.): 450 g



LCR meter with 16065C

Description: This test fixture makes it possible to measure a DUT with up to ± 200 V DC bias. The same modules of 16047A/D can be used to allow measurements of axial/radial lead components.

Applicable Instruments: 4263B, 4268A, 4279A*, 4288A, E4981A (4284A*, 4285A, 4294A, E4980A)**

* denotes the instrument is obsolete.

** applicable in a limited frequency range.

Frequency: 50 Hz to 2 MHz

Maximum DC Bias: ± 200 V

Blocking Capacitor of 5.6 μ F is connected in with the Hc terminal.

Operating Temperature: 0°C to 55°C

DUT Size: See the 16047A figure with module sizes.

Furnished Accessories:

Description	P/N	Qty.
Module For Axial Lead	16061-70022	1
Module For Radial Lead mounting on fixture	16061-70021	1
Module For Short Radial Lead	16047-65001	1
Shorting Bar	5000-4226	1
Operation and Service Manual	16065-90011	1

Compensation and Measurement: Open, short and load compensations are recommended before measurement. Short compensation is performed by shorting the contacts of the test fixture with a shorting plate as described for the 16047A. Load compensation is performed by inserting a known standard device. After performing open, short and load compensations, the DUT is connected to the test fixture.

Description: This adapter is designed to operate specifically with the 4263B, 4268A, 4288A and the E4981A. By connecting an external DC voltage source to this adapter, a bias voltage of up to ± 40 V can be supplied to a DUT. The DUT can be inserted by connecting any direct attachment 4-Terminal Pair test fixture to the adapter.

Applicable Instruments: 4263B, 4268A, 4288A, E4981A

Frequency: 100 Hz to 1 MHz

Maximum DC Bias: ± 40 V

Blocking Capacitor of 100 μ F is connected in series with the Hc terminal.

Operating Temperature: 0 °C to 55 °C

Applicable Fixtures: 16034E/G/H, 16044A, 16047A/D/E, 16048A/B*/D/E, 16089A/B/C/D/E

* denotes the instrument is obsolete.

Furnished Accessories:

Description	P/N	Qty.
Operation and Service Manual	16065-90020	1

Compensation and Measurement: Open and short compensations are recommended before measurement. Short compensation is performed by shorting the contacts of the test fixture that is in use. After performing open and short compensations, the DUT is connected to the test fixture.

42841A Bias Current Source



Dimensions (approx.): 426 (W) x 177 (H) x 498 (D) [mm]

Weight (approx.): 18 kg

DC bias Current Accuracy:

Range	Resolution	Accuracy (\pm)
0.00 A to 1.00 A	0.01 A	1% + 5 mA
1.1 A to 5.0 A	0.1 A	2%
5.1 A to 20.0 A	0.1 A	3%

Description: The 42841A is a bias current source for use with the E4980A, 4284A* or 4285A. The configured measurement system has the capability to perform DC bias current measurements of up to 40 A in the 20 Hz to 2 MHz frequency range and up to 10 A in the 75 kHz to 30 MHz frequency range.

Applicable Instruments: E4980A with Option E4980A-002, 4284A* with Option 4284A-002, 4285A with Option 4285A-002
* denotes the instrument is obsolete.

Maximum DC Bias Current: 20 A

Furnished Accessories:

Description	P/N	Qty.
Bias Current Interface Cable	42841-61640	1
Power Cable	depends on country	1

Options:

42841A-907: Front Handle Kit

42841A-908: Rack Mount Kit

42841A-909: Rack Mount and Front Handle Kit

42841A-ABA: Add English Manual

42841A-ABJ: Add Japanese Manual

42841A-UK6: Commercial Calibration Certificate with Test Data

Measurement Configurations:

0-20A dc Bias Configuration (4284A/E4980A)

E4980A with Opt. E4980A-002	1 ea.
4284A with Opt. 4284A-002	1 ea.
42841A Bias Current Source	1 ea.
42842A or 42842B Bias Test Fixture	1 ea.
16048A Test Leads	1 ea.

Basic Measurement Accuracy: 2% (< 1 kHz), 1% (\geq 1 kHz), 2% (> 1 MHz)

For detailed information, refer to the operation manual of 42841A

0-40A dc Bias Configuration (4284A/E4980A)

E4980A with Opt. E4980A-002	1 ea.
4284A with Opt. 4284A-002	1 ea.
42841A Bias Current Source	2 ea.
42842B Bias Test Fixture	1 ea.
42843A Bias Current Cable	1 ea.
16048A Test Lead	1 ea.

Basic Measurement Accuracy: 2% (< 1 kHz), 1% (\geq 1 kHz), 2% (> 1 MHz)

For detailed information, refer to the operation manual of 42841A

0-10A dc Bias High Frequency Configuration (4285A)

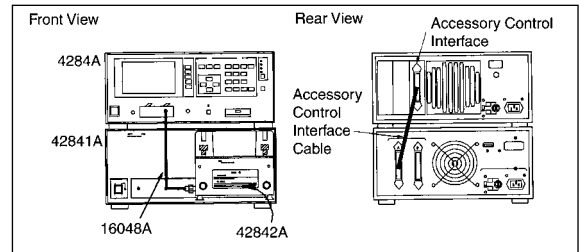
4285A with Opt. 4285A-002	1 ea.
42841A Bias Current Source	1 ea.
42842C Bias Test Fixture*	1 ea.
16048A Test Leads	1 ea.

Basic Measurement Accuracy: \sqrt{f} [%] + 4285A's accuracy [%]

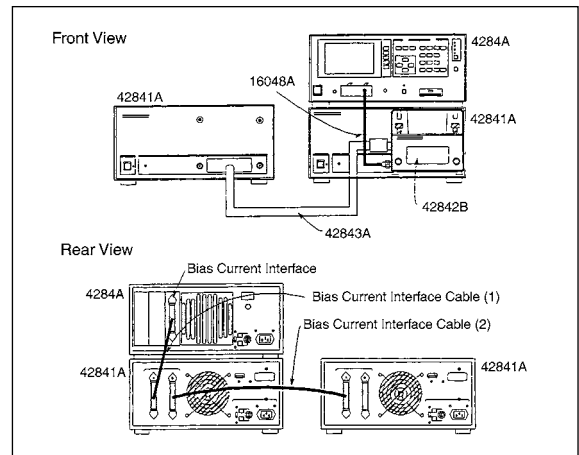
f: [MHz]

For detailed information, refer to the operation manual of 42841A

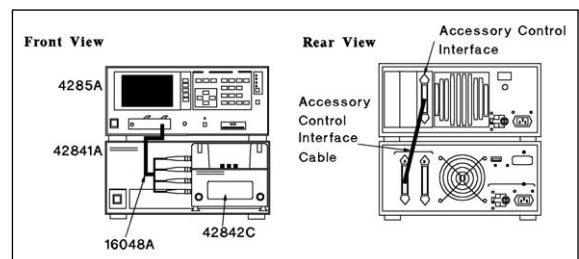
*Opt. 42842C-001 adds SMD test fixture which is available for 42842C.



20 A measurement system



40 A measurement system



Bias current system configuration for 42842C

42842A Bias Current Test Fixture

DUT Connection: 2-Terminal

Bias Voltage Output connector: BNC(f)

Dimensions (approx.):

216(W) x 173(H) x 235(D) [mm]

Weight (approx.): 2500 g

Basic Measurement Accuracy:

2% (< 1 kHz), 1% (\geq 1 kHz), 2% (> 1 MHz)

For detailed information, refer to the operation manual of 42841A.

Description: This test fixture is designed for use with the 42841A. It is connected directly to the bias current output terminals of the 42841A. The following features ensure accurate and safe DC bias measurements:

- Clear plastic cover is provided for safe measurements.
- Opening the cover decreases the voltage generated by back-e.m.f. (electromotive force) to a level below 40 V within 0.1 second.
- Heat-sensitive switch prevents DUT from overheating.
- Also equipped with DC bias voltage monitoring.

Applicable Instrument: E4980A with Option E4980A-002, 4284A* with Option 4284A-002

* denotes the instrument is obsolete.

Frequency: 20 Hz to 2 MHz

Maximum DC Bias Current: 20 A

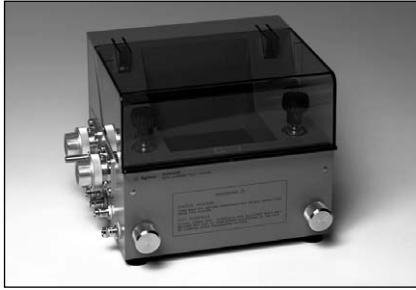
Operating Temperature: 5°C to 45°C

DUT Size: Smaller than 80(W) x 80(H) x 80(D) [mm]

Furnished Accessories:

Description	P/N	Qty.
Shorting Plate	42842-00607	1
Operation and Service Manual	42842-90002	1

Compensation and Measurement: Short compensation is recommended before measurement. Short compensation is performed by shorting the measurement terminals together with the furnished shorting plate. After compensation, connect the DUT to the measurement terminals and close the test fixture cover.

42842B Bias Current Test Fixture

DUT Connection: 2-Terminal

Bias Voltage Output connector: BNC(f)

Dimensions (approx.):

237(W) x 173(H) x 235(D) [mm]

Weight (approx.): 3000 g

Basic Measurement Accuracy:

2% (< 1 kHz), 1% (≥ 1 kHz)

For detailed information, refer to the operation manual of 42841A.

Description: This test fixture is designed for use with the 42841A. It is connected directly to the bias current output terminals of the 42841A. The following features ensure accurate and safe DC bias measurements:

- Clear plastic cover is provided for safe measurements.
- Opening the cover decreases the voltage generated by back-e.m.f. (electromotive force) to a level below 40 V within 0.1 second.
- Heat-sensitive switch prevents DUT from overheating.
- Also equipped with DC bias voltage monitoring.

Applicable Instrument: E4980A with Option E4980A-002, 4284A* with Option 4284A-002

* denotes the instrument is obsolete.

Frequency: 20 Hz to 2 MHz

Maximum DC Bias Current: 40 A

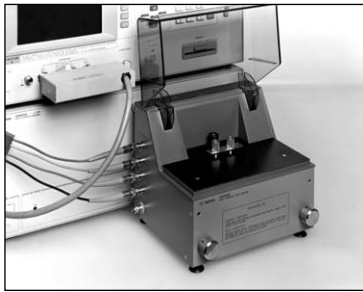
Operating Temperature: 5°C to 45°C

DUT Size: Smaller than 80(W) x 80(H) x 80(D) [mm]

Furnished Accessories:

Description	P/N	Qty.
Protection Caps	N/A	2
Shorting Plate	42842-00607	1
Operation and Service Manual	42842-90002	1

Compensation and Measurement: Short compensations is recommended before measurement. Short compensation is performed by shorting the measurement terminals together with the furnished shorting plate. After compensation, connect the DUT to the measurement terminals and close the test fixture cover.

42842C Bias Current Test Fixture

DUT Connection: 2-Terminal

Bias Voltage Output connector: BNC(f)

Dimensions (approx.):

213(W) x 173(H) x 235(D) [mm]

Weight (approx.): 3100 g

Basic Measurement Accuracy:

\sqrt{f} [%] + 4285A's accuracy [%]

f: [MHz]

For detailed information, refer to the operation manual of 42841A.

Description: This test fixture is designed for use with the 42841A. It is connected directly to the bias current output terminals of the 42841A. The following features ensure accurate and safe DC bias measurements:

- Clear plastic cover is provided for safe measurements.
- Opening the cover decreases the voltage generated by back-e.m.f. (electromotive force) to a level below 40 V within 0.1 second.
- Heat-sensitive switch prevents DUT from overheating.
- Also equipped with DC bias voltage monitoring

Applicable Instrument: 4285A with Option 4285A-002

Frequency: 75 kHz to 30 MHz

Maximum DC Bias Current: 10 A (2 A max for Option 001 SMD Test Fixture)

Operating Temperature: 0°C to 45°C

DUT Size: Smaller than 60(W) x 50(H) x 60(D) [mm]

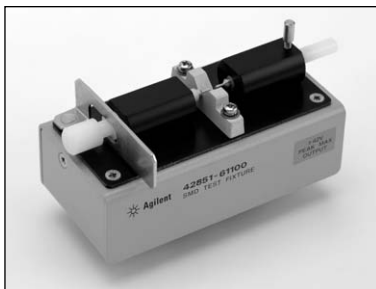
Furnished Accessories:

Description	P/N	Qty.
Shorting Plate	42842-00607	1
Operation and Service Manual	42842-90002	1

Options:

42842C-001: Add SMD Test Fixture P/N 42851-61100

Compensation and Measurement: Short compensations is recommended before measurement. Short compensation is performed by shorting the measurement terminals together with the furnished shorting plate. After compensation, connect the DUT to the measurement terminals and close the test fixture cover.

42851-61100 SMD Test Fixture

DUT Connection: 2-Terminal

Dimensions (approx.): 122(W) x 60(H) x 58(D)[mm]

Weight (approx.): 145 g



4285A with 42842C and P/N 42851-61100

Description: This test fixture is supplied with Option 42842C-001 for 42842C. It is designed for the impedance evaluations of SMD. The minimum SMD size that this fixture is adapted to evaluate is 1.6(L) x 0.8(W) [mm].

Applicable Instrument: 4285A with Option 4285A-002

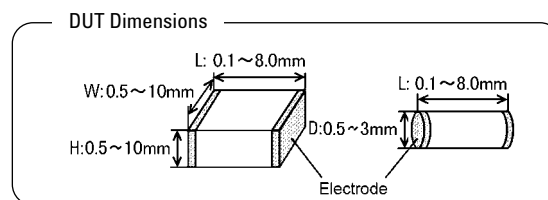
Frequency: 75 kHz to 30 MHz

Maximum Voltage: ±40 V peak max (AC+DC)

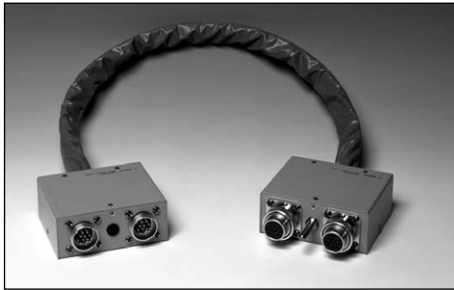
Maximum DC Bias Current: 2 A

Operating Temperature: 0°C to 55°C

DUT Size: See figure below



Compensation and Measurement: Refer to the procedure for 16034E.

42843A Bias Current Cable

Cable Length (approx.): 960 mm

Weight (approx.): 1200 g

Description: The 42843A is designed for use with 42841A and 42842B, 40 A DC bias measurement configuration. It provides a shielded connection between 42841A and 42842B.

Applicable Instrument: E4980A with Option E4980A-002, 4284A* with Option 4284A-002

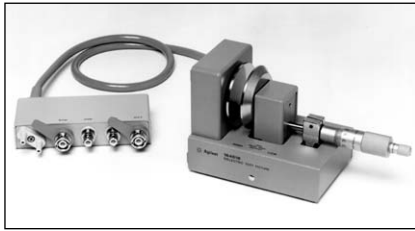
* denotes the instrument is obsolete.

Operating Temperature: 0°C to 55°C

Furnished Accessories:

Description	P/N	Qty.
Operation and Service Manual	42842-90001	1

16451B Dielectric Test Fixture



Terminal Connector: 4-Terminal Pair, BNC

Dimension (approx.): See page 38

Cable Length (approx.):

0.8 m (from connector to electrodes)

Weight (approx.): 3700 g

Measurement Accuracy

(supplemental performance characteristics):

$$\epsilon'_r \text{ accuracy } \left(\frac{\Delta \epsilon'_{rm}}{\epsilon'_{rm}} \right)$$

$$\tan \delta < 0.1 :$$

$$Az + 0.04 f^2 \epsilon'_{rm} \epsilon_0 \left(\frac{\pi \left(\frac{d}{2} \right)^2}{t} \right) + \frac{100 (\epsilon'_{rm} - 1)}{(\epsilon'_{rm} + \frac{t}{0.01})} [\%]$$

ϵ * Loss Tangent Accuracy ($\Delta \tan \delta$)

$$\tan \delta < 0.1 : Ad + Ea + Eb$$

$$Ea = 0.005 + 0.0004 f^2 \epsilon'_{rm} \epsilon_0 \left(\frac{\pi \left(\frac{d}{2} \right)^2}{t} \right)$$

$$Eb = \frac{\tan \delta}{100} \frac{\Delta \epsilon'_{rm}}{\epsilon'_{rm}}$$

f: measured frequency [Hz] $f \leq 30\text{MHz}$

ϵ'_{rm} : measured permittivity

$\tan \delta$: measured dissipation factor

ϵ_0 : permittivity of air $8.854 \times 10^{-12} [\text{F/m}]$

d: diameter of electrode {A,B}

t: thickness of material [mm]

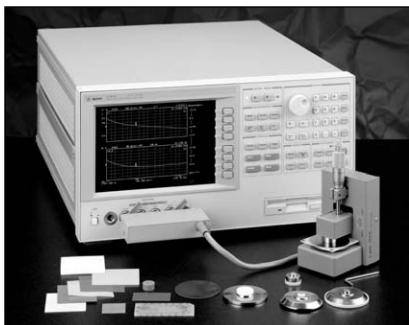
Az: Impedance measurement error of instrument

Ad: D measurement error of instrument

The material is assumed to be ideally flat.

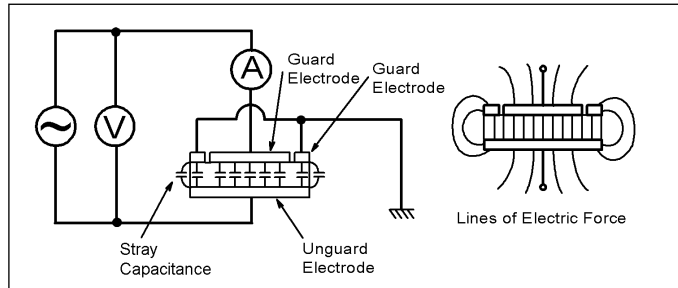
The above equation is applicable for electrodes A and

B when using the contacting electrode method.



4294A with 16451B

Description: The 16451B is used to evaluate the dielectric constant of solid dielectric materials accurately, and complies with ASTM D150. The 16451B employs the parallel plate method, which sandwiches the material between two electrodes to form a capacitor. LCR meter or an Impedance Analyzer is then used to measure the capacitance created from the fixture. A measurement block diagram of the parallel plate method is shown below:

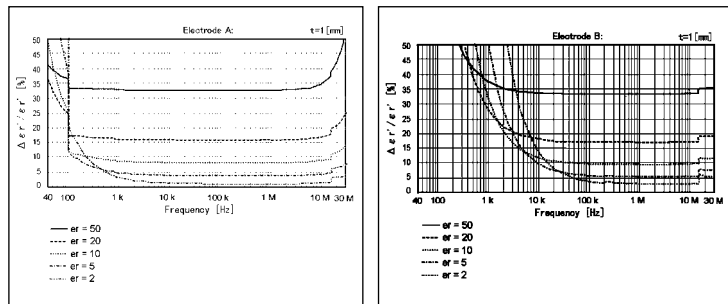


Parallel plate method

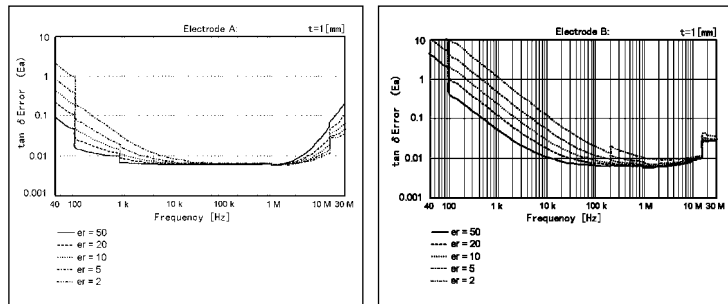
Notice the stray capacitance, which is formed on the test material as shown in the figure above. The guard electrode helps to eliminate the stray capacitance at the edge of the electrode.

Basic Measurement Accuracy (including the 4294A):

Typical Permittivity (ϵ') Measurement Accuracy:



Typical Loss Tangent ($\tan \delta$) Measurement Accuracy:



4294A Measurement Settings;

1. Osc level : 500 mV
2. BW: 5
3. Adapter setup : 1 m
4. Compensation : Open, short and load

Applicable Instruments: 4263B, 4268A, 4279A*, 4284A*, 4285A, 4288A, E4980A, E4981A, (4294A)**

* denotes the instrument is obsolete.

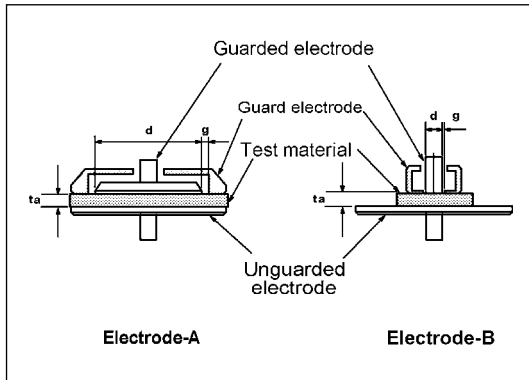
** applicable in a limited frequency range.

Frequency: ≤ 30 MHz

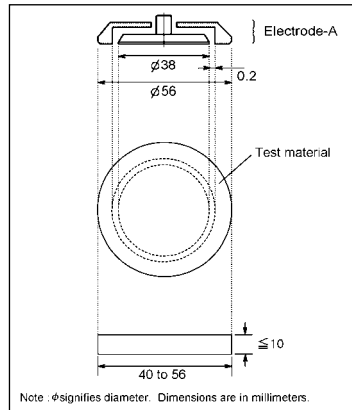
Maximum Voltage: ±42 V peak max. (AC+DC)

Operating Temperature: 0°C to 55°C

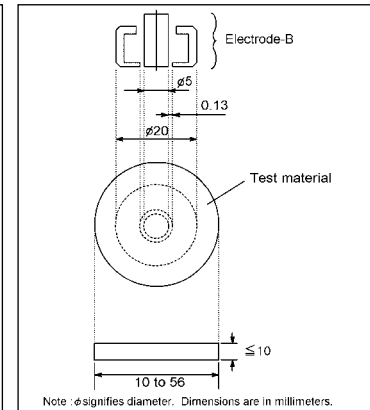
Material Size:



Electrodes for contacting electrode method
(Rigid Metal Electrode)



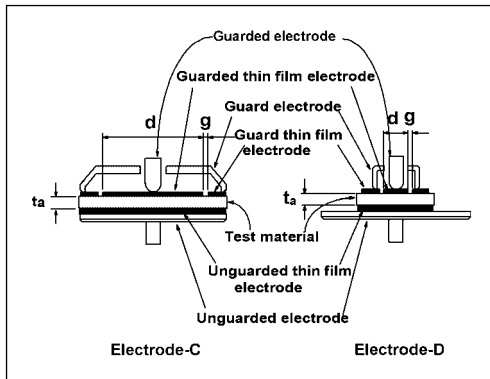
Material size for electrode-A



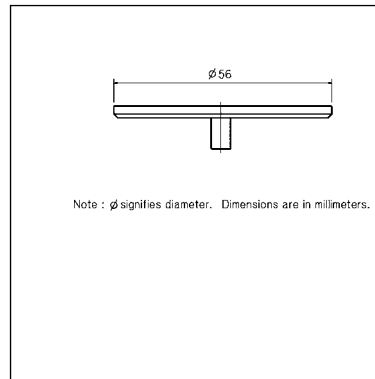
Material size for electrode-B

Equipped with Electrodes A and B for flat and smooth materials.

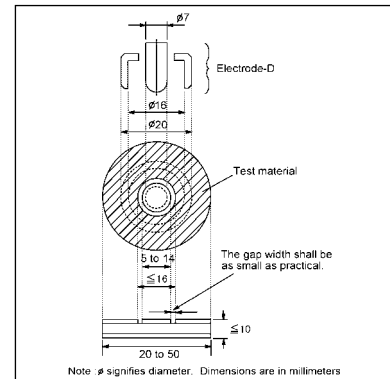
Electrode Type	Diameter of MUT	Thickness of MUT	Diameter of Electrode	Max. Frequency
A	40 mm ~ 56 mm	t ≤ 10 mm	38 mm	30 MHz
B	10 mm ~ 56 mm	t ≤ 10 mm	5 mm	30 MHz



Electrodes for contacting electrode method
(Thin Film Electrode)



Material size for electrode-C



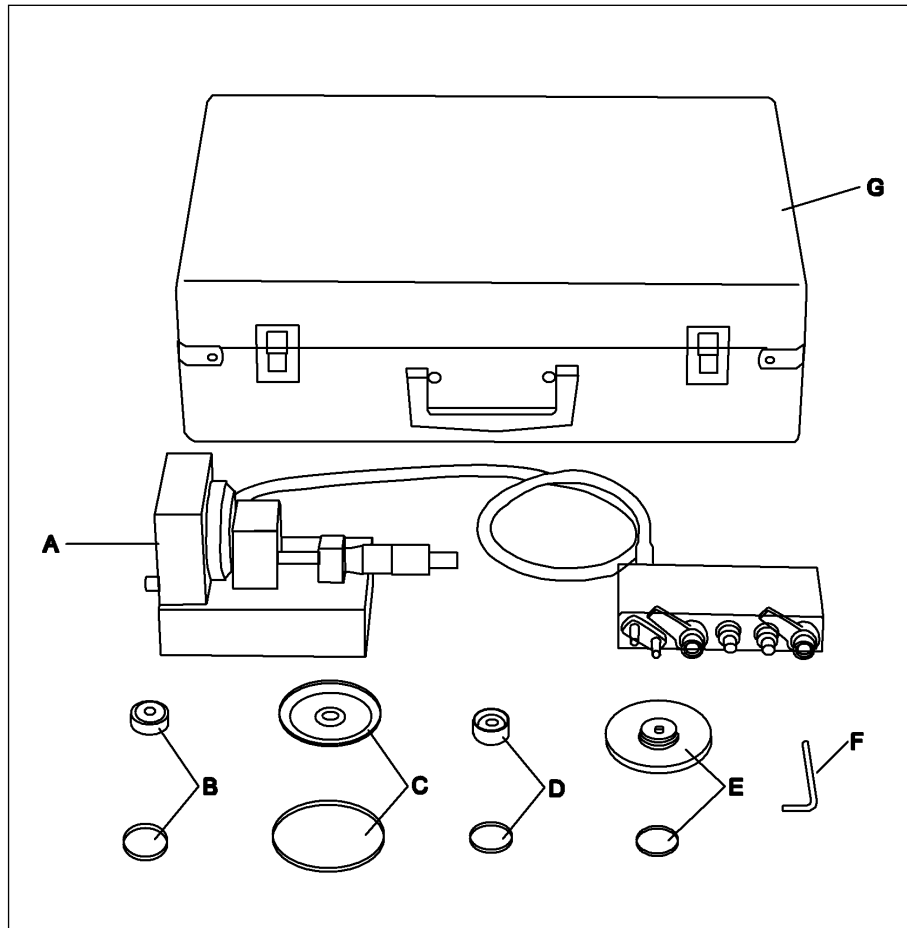
Material size for electrode-D

Equipped with Electrodes C and D for rough or extremely thin materials.

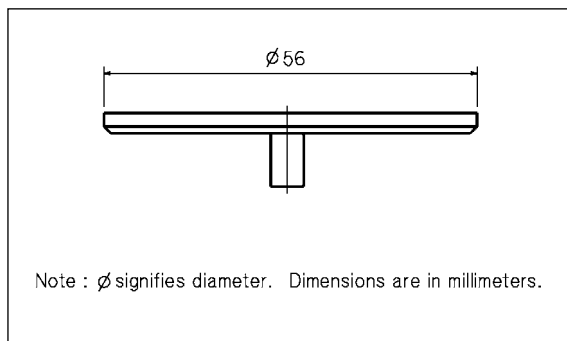
Electrode Type	Diameter of MUT	Thickness of MUT	Diameter of Electrode*	Max. Frequency
C	56 mm	t ≤ 10 mm	5 ~ 50 mm	30 MHz
D	20 mm ~ 56 mm	t ≤ 10 mm	5 ~ 14 mm	30 MHz

* diameter of applied thin film electrode

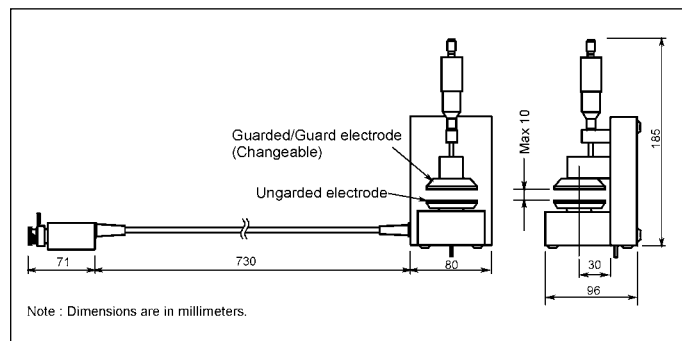
Furnished Accessories:



Description	P/N	Qty.	
Test Fixture including Electrode-A, unguarded electrode and cover	N/A	1	A
Electrode-B and cover	16451-60013	1	B
Electrode-C and cover	16451-60012	1	C
Electrode-D and cover	16451-60014	1	D
Attachment for error compensation and cover	16451-60021	1	E
Hex key (for replacing electrodes)	8710-1181	1	F
Carrying Case	16451-60001	1	G



Dimensions of unguarded electrode



Dimensions of fixture assembly

Compensation and Measurement: There are three measurement methods for the 16451B. They are the Contacting Electrode Method (used with 16451B's rigid metal electrode, without any electrodes on the material under test), the Contacting Electrode Method (used with thin film electrodes made on the material under test), and the Non-Contacting Electrode (Air Gap method). Select the suitable measurement method and the suitable electrode for the material under test according to the following table.

Summary of Measurement Method

Measurement Method	Contacting Electrode Method (used with Rigid metal electrode)	Contacting Electrode Method (used with thin film electrode)	Non-contacting Electrode Method
Accuracy	Low→ High		
Operation	Simple.....→ Complex		
Applicable Materials	Thick, solid and smooth materials	Materials on which thin film can be applied without changing its characteristics	Thick, and soft materials. Rough materials also.

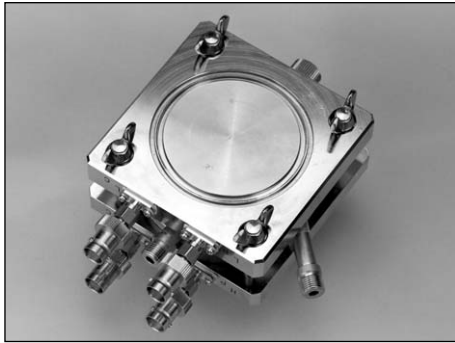
Open and short compensations are recommended in combination with the cable length compensation before measurement. When measuring above 5 MHz with the 4285A or the 4294A*, load compensation is also recommended. First, set the instrument's cable length compensation function to 1 m. Then, open and short compensation is performed by using the furnished electrode attachment. Load compensation is performed, by preparing a working standard. After performing open, short and load compensations, the MUT is sandwiched by the parallel electrodes and the capacitance is measured. Relative permittivity is calculated from the measured capacitance in the following manner:

$$\epsilon_r' = \frac{t_a \times C_p}{\pi \times \left(\frac{d}{2}\right)^2 \times \epsilon_o}$$

- ϵ_r' : Relative permittivity
- C_p : Capacitance (measurement data)
- ϵ_o : 8.854×10^{-12} [F/m]
- t_a : Average thickness of test material
- d : Diameter of guarded electrode

*For more information on load compensation with the 4294A, see section 13 of the 4294A programming manual.

16452A Liquid Dielectric Test Fixture

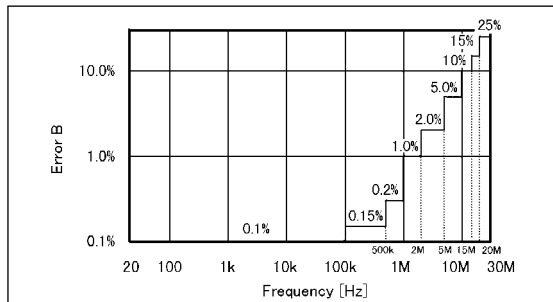


Terminal Connector: 4-Terminal Pair, SMA
Dimensions (approx.): 85(H) x 85(W) x 37(D) [mm]
Weight (approx.): 1400 g
Measurement Accuracy: A + B + C [%]

Electrode gap (mm)	A (%)
0.3	0.005 × M.R.P
0.5	0.006 × M.R.P
1.0	0.008 × M.R.P
2.0	0.020 × M.R.P

M.R.P is Measurement Relative Permittivity

Error B [%]



Error C [%] = Measurement Error of Instrument



4284A with 16452A

Description: This test fixture provides accurate dielectric constant and impedance measurements of liquid materials. The 16452A employs the parallel plate method, which sandwiches the liquid material between two electrodes to form a capacitor. A LCR meter or an impedance analyzer is then used to measure the capacitance created from the fixture.

Applicable Instruments: 4263B, 4284A*, 4285A, E4980A, (4294A)**

* denotes the instrument is obsolete.

** applicable in a limited frequency range.

Frequency: 20 Hz to 30 MHz

Operating Temperature: -20°C to 125°C

Maximum Voltage: 30 Vrms

Material Capacity: Required sample liquid capacity depends on the gap of the electrodes.

Gap of electrodes	0.3 mm	0.5 mm	1 mm	2 mm
Air capacitance	34.9 pF ±25%	21.2 pF ±15%	10.9 pF ±10%	5.5 pF ±10%
Sample liquid capacity	3.4 ml	3.8 ml	4.8 ml	6.8 ml
Applicable frequency	20 Hz – 30 MHz			



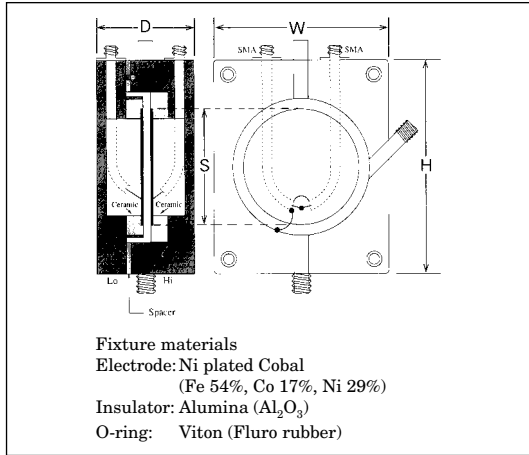
Furnished Accessories:

Description	P/N	Qty.	
Shorting Plate	16092-08010	1	E
O-ring for Liquid Outlet	0905-1277	1	D
Spacer (1.3 mm thickness)	16452-00601	1	F
Spacer (1.5 mm thickness)	16452-00602	1	F
Spacer (2.0 mm thickness)	16452-00603	1	F
Spacer (3.0 mm thickness)	16452-00604	1	F
Lid of Liquid Outlet	16452-24002	1	G
SMA-BNC Adapter	1250-1200	4	H
Waterproof Cap for BNC Connector	1252-5831	4	I
Carrying Case	16452-60111	1	-
Operation and Service Manual	16452-90020	1	-
Angle Iron of Stand Body for Fixture Stand	16452-01201	2	-
Screw of Stand Body for Fixture Stand	0515-0914	4	C
Screw for Fixture Stand	0515-0914	4	-
Electrode (High and Low)	NA	2	A,B

Requires the following interface cables to connect to a measurement instrument. Select accordingly to the required temperature conditions.

Temperature	Model# or P/N	Cable length (approx.)
0°C to 55°C	16048A	0.94 m
-20°C to 125°C	16452-61601	1 m
-20°C to 150°C	16048G* for 4294A only	1 m
-20°C to 150°C	16048H* for 4294A only	2m

* Four BNC(m) to BNC(m) adapters (P/N 1250-0216) are needed to connect the 16048G/H and 16452A.



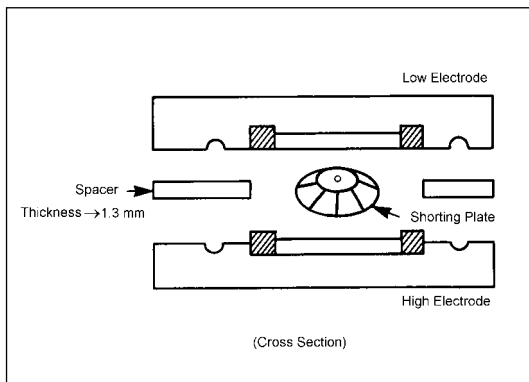
Test fixture overview

Compensation and Measurement: Short compensation is recommended in combination with the cable length compensation before measurement. First, set the instrument's cable length compensation function to 1 m. Then, short compensation is performed by using the furnished shorting plate. Open compensation is not performed, but its values are used in the dielectric constant equation as shown below:

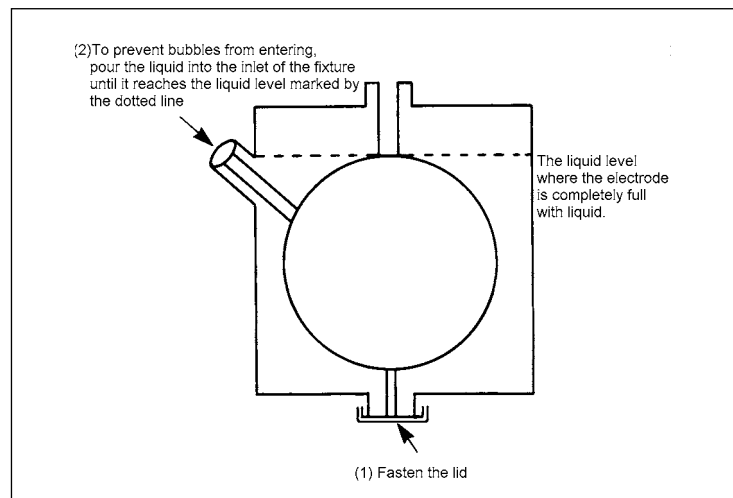
$$\epsilon_r = \alpha \left(\frac{C_p}{C_o} - j \frac{1}{\omega C_o R_p} \right)$$

- α : Correction coefficient
- ϵ_r : Relative dielectric constant
- C_p : Liquid capacitance (measurement data)
- C_o : Air capacitance (measurement data) or open compensation data
- R_p : Equivalent parallel resistance (measurement data)
- ω : Angular frequency ($\omega=2\pi f$)

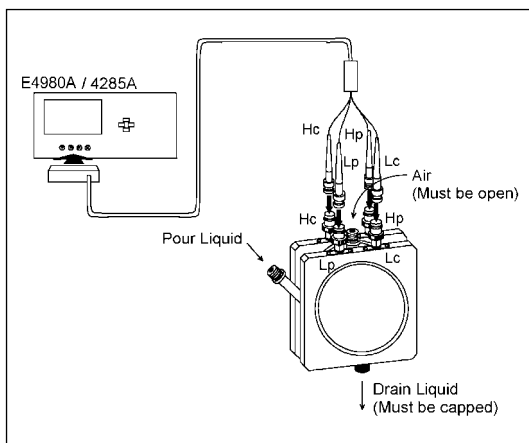
The following figures below show how compensation and measurement is performed.



Short compensation



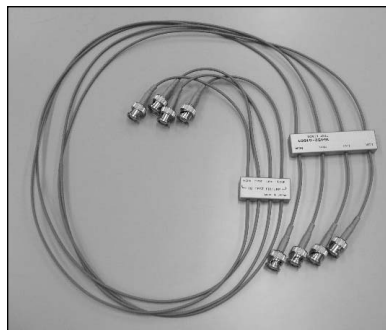
Pouring the liquid into the fixture



Method of connection

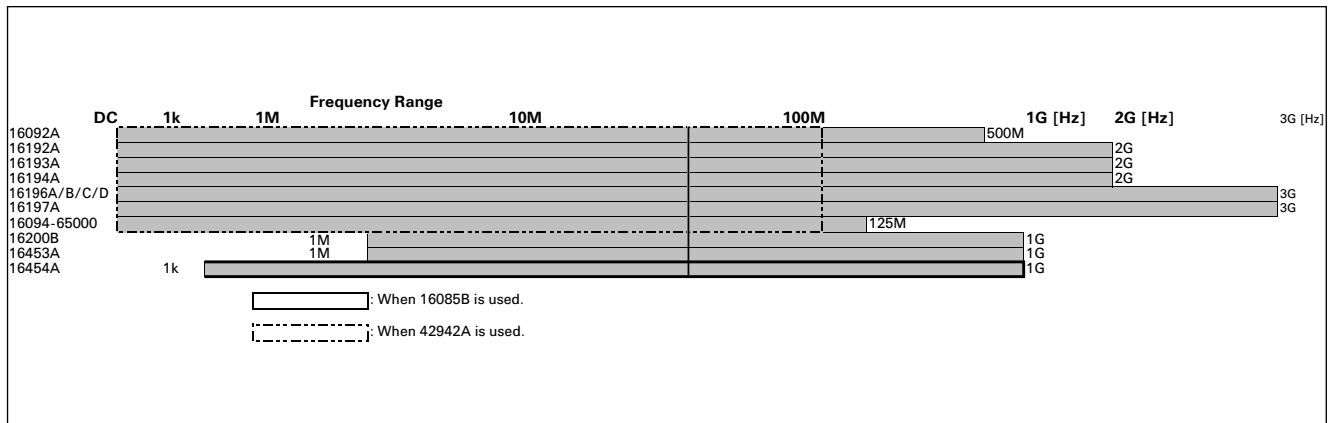
Note: the 16452A is not capable of measuring salt or ionic solutions or other liquids with bulk conductivity due to the electrode polarization phenomenon.

Agilent is not responsible for any damage (e.g., corrosion, smear) to the 16452A caused by the reaction between the liquid under test and the 16452A.



16452-61601 Test leads

Up to 3 GHz (7 mm)



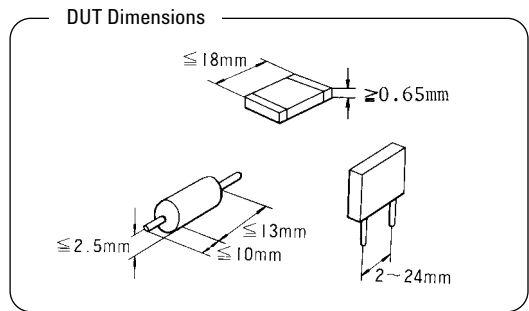
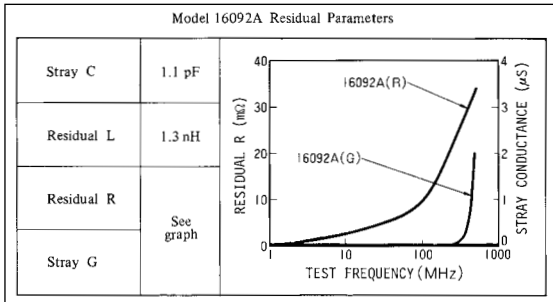
Applicable Instrument

Frequency Range	Up to 110 MHz (Terminal Configuration: 4-Terminal Pair)	Up to 3 GHz (Terminal Configuration: 7 mm)
Measurement Instruments	4263B, 4268A, 4279A, 4284A, 4285A, 4288A, 4294A, E4980A, E4981A	4291B, 4294A + 42942A, 4395A w/Opt. 010 + 43961A, 4396B w/Opt. 010 + 43961A, 4287A, E4991A Any 4TP instruments (excluding 4294A) + 16085B
Frequency	DC (High Resistance Measurement)	1 kHz (Milliohm Measurement)
Measurement Instruments	4339B, 4349B	4338B

16092A Spring Clip Fixture



Terminal Connector: 7 mm
DUT Connection: 2-Terminal
Electrical Length: 3.4 mm
Dimensions (approx.): 150(W) x 70(H) x 80(D) [mm]
Weight (approx.): 180 g
Additional Error: See figure below



Description: This test fixture is designed for impedance evaluation of both lead and SMD. It is furnished with two modules that can be readily screwed onto the plate to measure either lead or SMD.

Applicable Instrument: 4291B*, 4294A + 42942A, 4395A with Opt. 4395A-010 + 43961A, E4991A, (4287A, 4396B with Opt. 4396B-010 + 43961A)**

When used with 16085B: 4263B, 4268A, 4279A*, 4284A*, 4285A, 4288A, E4980A, E4981A

* denotes the instrument is obsolete.

** applicable in a limited frequency range.

Frequency: DC to 500 MHz

Maximum Voltage: ±40 V peak max (AC+DC)

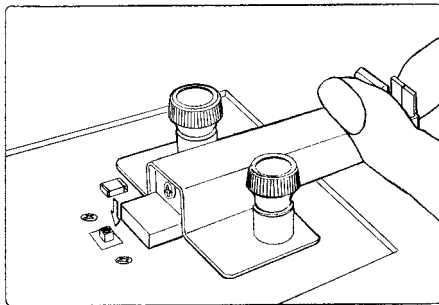
Operating Temperature: 0°C to 55°C

DUT Size: See figure below

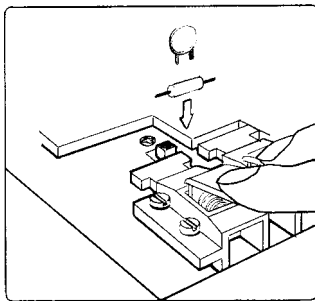
Furnished Accessories:

Description	P/N	Qty.
Shorting Plate	16092-08010	1
Operating Note	16092-90010	1

Compensation and Measurement: Open and short compensations are recommended in combination with the electrical length compensation before measurement. The fixture's electrical length must be entered into the electrical length compensation function of the measurement instrument first. When using the SMD module, open compensation is performed by separating the high and the low electrodes from each other. The separation should be equivalent in size to the DUT's width. Short compensation is performed by contacting the high and low electrodes together. When using the lead component module, open compensation is performed by not having the module-electrodes be connected to anything. Short compensation is performed by using the furnished shorting plate. After performing open and short compensations in combination with the electrical length compensation, the DUT is inserted into the test fixture.



Inserting the SMD



Inserting the leaded component

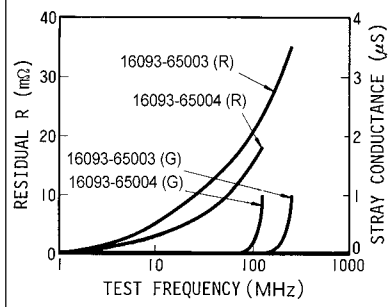
16093-65003 Binding Post Test Fixture



Terminal Connector: 7 mm
DUT Connection: 2-Terminal
Electrical Length: 3.4 mm
Dimensions (approx.): 150(W) x 70(H) x 80(D) [mm]
Weight (approx.): 135 g
Additional Error: See figure below

Model 16093-65003 and 16093-65004 Residual Parameters

	Stray C	Residual L	Residual R	Stray G
16093-65003	1.8 pF	1.8 nH	See graph below	
16093-65004	5.5 pF	1.4 nH		



Description: This test fixture is designed for impedance evaluation of axial/radial lead type devices. Two binding posts separated by an interval of 7 mm ensure optimum contact of lead components.

Applicable Instrument: 4294A + 42942A, (4287A, 4395A with Opt. 4395A-010 + 43961A, 4396B with Opt. 4396B-010 + 43961A, E4991A)**

When used with 16085B: 4263B, 4268A, 4279A*, 4284A*, 4285A, 4288A, E4980A, E4981A

* denotes the instrument is obsolete.

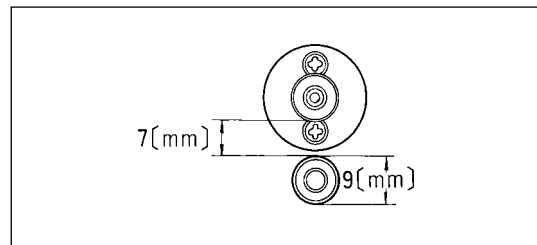
** applicable in a limited frequency range.

Frequency: DC to 250 MHz

Maximum Voltage: ±40 V peak max (AC+DC)

Operating Temperature: 0°C to 55°C

DUT Size: See figure below



Post spacing

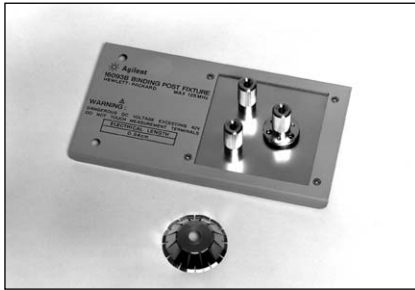
Compensation and Measurement: Open and short compensations are recommended in combination with the electrical length compensation before measurement. The fixture’s electrical length must be entered into the electrical length compensation function of the measurement instrument first. Open compensation is performed by not having the binding posts be connected to anything. Short compensation is performed by using the shunting plate. After performing open and short compensations in combination with the electrical length compensation, the DUT is inserted into the test fixture.

Necessary Accessories:

Description	P/N	Qty.
Shorting Plate	16092-08010	1

The shorting plate and the operating note are not furnished as standard. The shorting plate should be ordered separately. The operating note is downloadable from Agilent Website (www.agilent.com). Search the web using the keyword “16093A”.

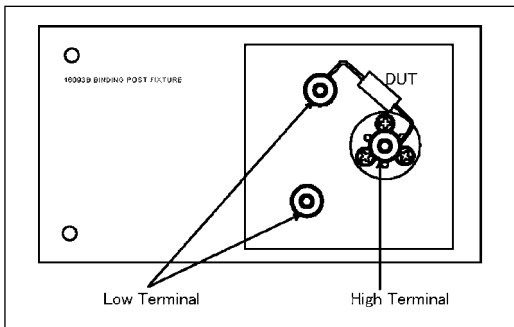
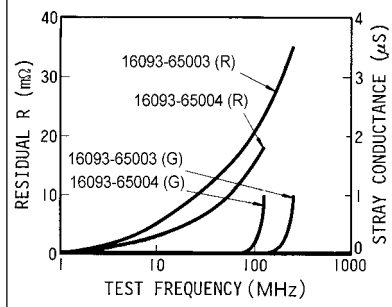
16093-65004 Binding Post Test Fixture



Terminal Connector: 7 mm
DUT Connection: 2-Terminal
Electrical Length: 3.4 mm
Dimensions (approx.): 150(W) x 70(H) x 80(D) [mm]
Weight (approx.): 175 g
Additional Error: See figure below

Model 16093-65003 and 16093-65004 Residual Parameters

	Stray C	Residual L	Residual R	Stray G
16093-65003	1.8 pF	1.8 nH	See graph below	
16093-65004	5.5 pF	1.4 nH		



Inserting the leaded component

Description: This test fixture is designed for impedance evaluation of axial/radial lead type devices. A third binding post is provided as a guard terminal for three terminal devices.

Applicable Instrument: 4294A + 42942A, (4287A, 4395A with Opt. 4395A-010 + 43961A, 4396B with Opt. 4396B-010 + 43961A, E4991A)**

When used with 16085B: 4263B, 4268A, 4279A*, 4284A*, 4285A, 4288A, E4980A, E4981A

* denotes the instrument is obsolete.

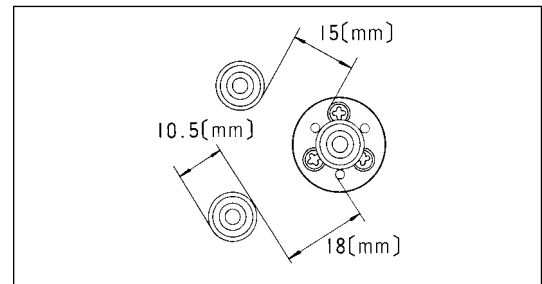
** applicable in a limited frequency range.

Frequency: DC to 125 MHz

Maximum Voltage: ±40 V peak max (AC+DC)

Operating Temperature: 0°C to 55°C

DUT Size: See figure below



Post spacing

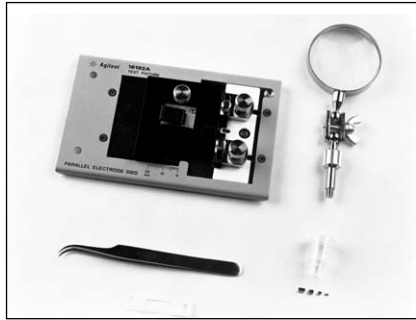
Compensation and Measurement: Open and short compensations are recommended in combination with the electrical length compensation before measurement. The fixture's electrical length must be entered into the electrical length compensation function of the measurement instrument first. Open compensation is performed by not having the binding posts be connected to anything. Short compensation is performed by using the furnished shorting plate. After performing open and short compensations in combination with the electrical length compensation, the DUT is inserted into the test fixture.

Necessary Accessories:

Description	P/N	Qty.
Shorting Plate	16092-08010	1

The shorting plate and the operating note are not furnished as standard. The shorting plate should be ordered separately. The operating note is downloadable from Agilent website (www.agilent.com). Search the web using the keyword "16093B".

16192A Parallel Electrode SMD Test Fixture



Terminal Connector: 7 mm
DUT Connection: 2-Terminal
Electrical Length: 11 mm
Dimensions (approx.): 150(W) x 70(H) x 90(D) [mm]
Weight (approx.): 400 g
Additional Error:

Type of Error	Impedance
Proportional Error	$1.5 \times f^2$ [%]
Open Repeatability	$2 + 30 \times f$ [μ S]
Short Repeatability	$30 + 250 \times f$ [m Ω]

f: [GHz]

Description: This test fixture is designed for impedance evaluations of parallel electrode SMD. The minimum SMD size that this fixture is adapted to evaluate is 1 [mm].

Applicable Instrument: 4291B*, 4294A + 42942A, 4395A with Opt. 4395A-010 + 43961A, 4396B with Opt. 4396B-010 + 43961A, (4287A, E4991A)**

When used with 16085B: 4263B, 4268A, 4279A*, 4284A*, 4285A, 4288A, E4980A, E4981A

* denotes the instrument is obsolete.

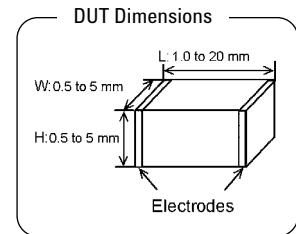
** applicable in a limited frequency range.

Frequency: DC to 2 GHz

Maximum DC Bias Voltage: ± 40 V

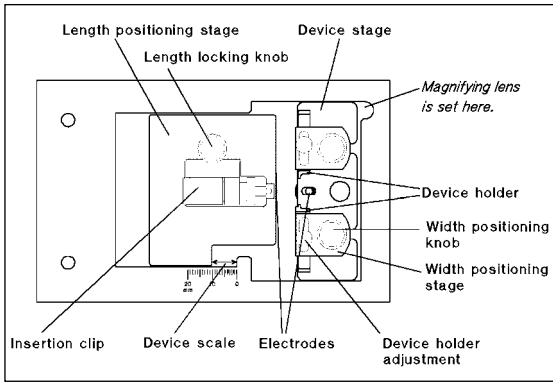
Operating Temperature: -55°C to $+85^\circ\text{C}$

DUT size: 1 mm to 20 mm (length)



Furnished Accessories:

Description	P/N	Qty.	Option
Wrench	8710-1181	1	Standard
Operation and Service Manual	16192-90010	1	Standard
General Sized			
Shorting Device (1 x 1 x 2.4 (mm))	16191-29001	1	16192A-701
Shorting Device (1.6 x 2.4 x 2 (mm))	16191-29002	1	16192A-701
Shorting Device (2.4 x 2.4 x 3.2 (mm))	16191-29003	1	16192A-701
Shorting Device (2.4 x 2.4 x 4.5 (mm))	16191-29004	1	16192A-701
EIA/EIAJ Industrial Standard Sized			
Shorting Device (1 x 0.5 x 0.5 (mm))	16191-29005	1	16192A-010
Shorting Device (1.6 x 0.8 x 0.8 (mm))	16191-29006	1	16192A-010
Shorting Device (2.0 x 1.2 x 0.8 (mm))	16191-29007	1	16192A-010
Shorting Device (3.2 x 1.6 x 0.8 (mm))	16191-29008	1	16192A-010
Case for Shorting Devices	1540-0692	1	16192A-010/701
Magnifying Lens	16193-60002	1	16192A-710
Tweezers	8710-2081	1	16192A-710



Test fixture overview

Options:

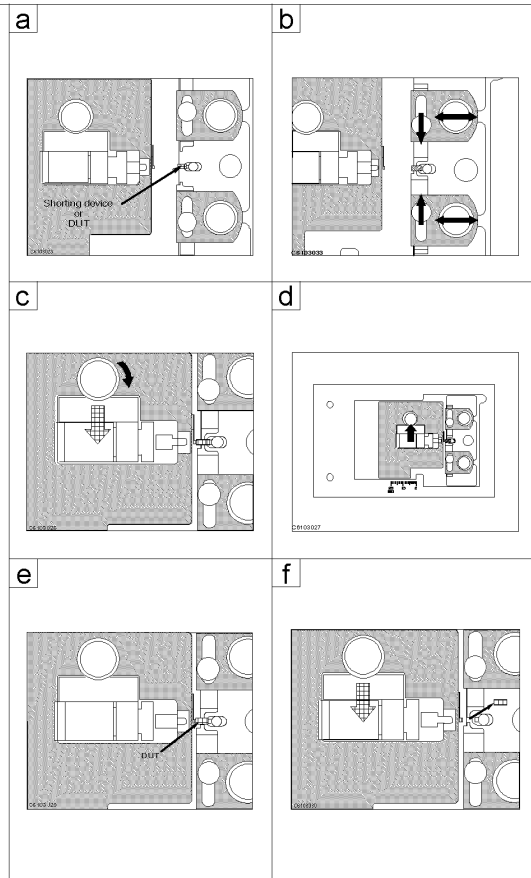
16192A-010: Add EIA/EIAJ industrial standard sized shorting bar set

16192A-701: Add general sized shorting bar set

16192A-710: Add the magnifying lens and tweezers

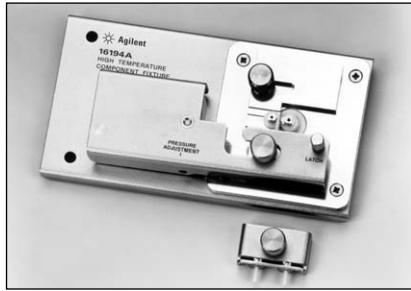
Compensation and Measurement: Open and short compensations are recommended in combination with the electrical length compensation before measurement. The fixture’s electrical length must be entered into the electrical length compensation function of the measurement instrument first. Then open compensation is performed by separating the high and the low electrodes from each other. The separation should be equivalent in size to the DUT’s width. Short compensation is performed by using option 16192A-010/701 shorting bar set. After performing open and short compensations in combination with the electrical length compensation, the DUT is inserted into the test fixture. The following figures show how compensation and measurement is performed.

- a. Place the shorting device/DUT so that it contacts the electrode.
- b. Adjust the two knobs and the two device holders to hold the shorting device/DUT.
- c. Tighten knob A while pushing the lever.
- d. Release the lever to hold the shorting device/DUT. Perform short compensation or measure the DUT.
- e. Set the DUT on the test fixture just as you set the shorting device in the SHORT compensation.
- f. Push the black lever and remove the DUT. Perform open compensation.



Open/Short compensation

16194A High Temperature Component Test Fixture



Terminal Connector: 7 mm
DUT Connection: 2-Terminal
Electrical Length: 50 mm
Dimensions (approx.): 150(W) x 40(H) x 80(D) [mm]
Weight (approx.): 350 g
Additional Error:
SMD:

Type of Error	Impedance
Proportional Error	$20 \times f^2$ [%]
Open Repeatability	$80 + 250 \times f$ [μ S]
Short Repeatability	$0.2 + 2.5 \times f$ [Ω]

Leaded device:

Type of Error	Impedance
Proportional Error	$20 \times f^2$ [%]
Open Repeatability	$80 + 500 \times f$ [μ S]
Short Repeatability	$0.4 + 12.5 \times f$ [Ω]

f: [GHz]

Description: This test fixture is designed for measuring both axial/radial leaded devices and SMD within the temperature range from -55 to $+200$ °C (when used with the E4991A-007 Temperature Characteristic Test Kit, -55 to $+150$ °C).

Applicable Instrument: 4294A + 42942A, 4395A with Opt.4395A-010 + 43961A, 4396B with Opt.4396B-010 + 43961A, (4287A, E4991A)**

When used with 16085B: 4263B, 4268A, 4279A*, 4284A*, 4285A, 4288A, E4980A, E4981A

* denotes the instrument is obsolete.

** applicable in a limited frequency range.

Frequency:

DC to 500 MHz (with open and short compensation)

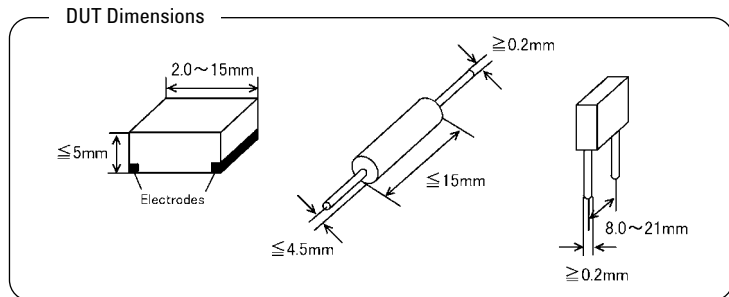
DC to 2 GHz (with open and short and load compensation)

Maximum DC Bias Voltage: ± 40 V

Operating Temperature: -55 °C to $+200$ °C

DUT size: See figure below.

Furnished Accessories:



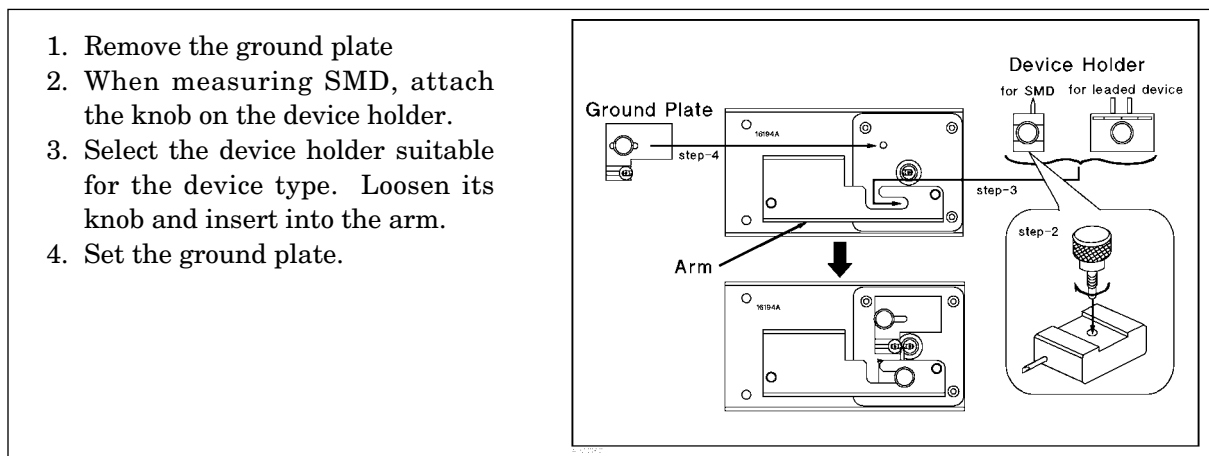
Description	P/N	Qty.	Option
Wrench	8710-1181	1	Standard
Tweezers	8710-2081	1	Standard
50 Ω SMD Resistor	0699-2829	10	Standard
Operation and Service Manual	16194-90010	1	Standard
General Sized			
Shorting Device (1 x 1 x 2.4 (mm))	16191-29001	1	16194A-701
Shorting Device (1.6 x 2.4 x 2 (mm))	16191-29002	1	16194A-701
Shorting Device (2.4 x 2.4 x 3.2 (mm))	16191-29003	1	16194A-701
Shorting Device (2.4 x 2.4 x 4.5 (mm))	16191-29004	1	16194A-701
EIA/EIAJ Industrial Standard Sized			
Shorting Device (1 x 0.5 x 0.5 (mm))	16191-29005	1	16194A-010
Shorting Device (1.6 x 0.8 x 0.8 (mm))	16191-29006	1	16194A-010
Shorting Device (2.0 x 1.2 x 0.8 (mm))	16191-29007	1	16194A-010
Shorting Device (3.2 x 1.6 x 0.8 (mm))	16191-29008	1	16194A-010
Case for Shorting Devices	1540-0692	1	16194A-010/701

Options:

16194A-010: Add EIA/EIAJ industrial standard sized-shorting bar set

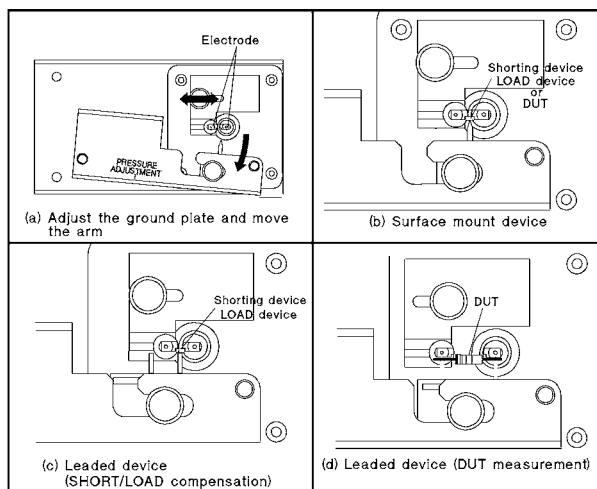
16194A-701: Add general sized shorting bar set

Compensation and Measurement: Before beginning the measurement, the appropriate device holder (for a SMD or lead component) must be prepared with the test fixture. The following figure shows how the device holder is exchanged to match the device type.



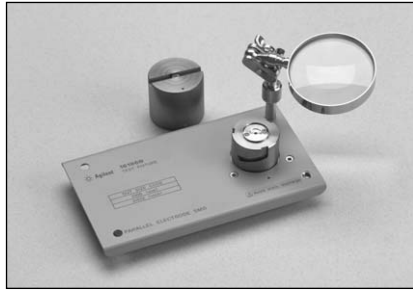
Exchanging the device holder

The next step is to perform open and short compensations in combination with the electrical length compensation. When measuring above 500 MHz, load compensation is also recommended. The fixture's electrical length must be entered into the electrical length compensation function of the measurement instrument first. Then open compensation is performed by separating the high and the low electrodes from each other. The separation should be equivalent in size to the DUT's width. Short compensation is performed by using the option 16194A-010/701 shorting bar set. Load compensation is performed by using the furnished 50 Ω SMD chip resistor. After performing open, short, and load compensations in combination with the electrical length compensation, the DUT is inserted into the test fixture. The following figures show how measurement is performed.



Placing the device

16196A Parallel Electrode SMD Test Fixture



Terminal Connector: 7 mm
DUT Connection: 2-Terminal
Electrical Length: 26.2 mm
Dimensions (approx.): 140(W) x 48(H) x 78(D) [mm]
Weight (approx.): 250 g
Additional Error:

Type of Error	Impedance
Proportional Error	$1.0 \times f^2$ [%]
Open Repeatability	$5 + 40 \times f$ [μ S]
Short Repeatability	$30 + 125 \times f$ [m Ω]

f: frequency [GHz]



4287A with 16196A

Description: This test fixture is designed for impedance evaluations of parallel electrode SMDs. It achieves stable frequency characteristics up to 3 GHz and provides highly repeatable measurements. The applicable SMD size code is 0603 (inch)/1608 (mm).

Applicable Instrument: 4287A, 4294A + 42942A, 4395A with Opt.4395A-010 + 43961A, 4396B with Opt.4396B-010 + 43961A, E4991A

When used with 16085B: 4263B, 4268A, 4279A*, 4284A*, 4285A, 4288A, E4980A, E4981A

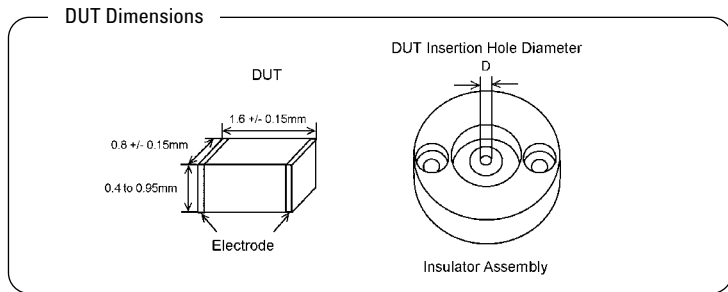
* denotes the instrument is obsolete.

Frequency: DC to 3 GHz

Maximum Voltage: ± 40 V peak max (AC +DC)

Operating Temperature: -55°C to +85°C

DUT size: The applicable SMD size is 0603 (inch)/1608 (mm). For details, see the figure below.

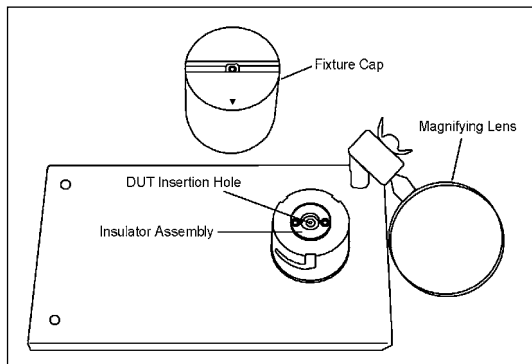


The 16196A is furnished with three different insulator assemblies, since any gaps between the DUT and the cylindrical insulator will result in improper positioning and subsequent measurement errors. Select an insulator assembly that reduces the gap the most. See the table below for dimensions of the insulator assemblies.

	Hole Diameter of Insulator assembly (mm)	SMD case size examples Length,Width, Height (mm)
16196A	ϕ 1.34	1.6 x 0.8 x 0.8
	ϕ 1.14	1.6 x 0.8 x 0.6
	ϕ 1.08	1.6 x 0.8 x 0.5

Furnished Accessories:

Description	P/N	Qty.
Operation and Service Manual	16196-90040	1
Insulator Assembly ϕ 1.34 mm	16196-60112	1
Insulator Assembly ϕ 1.14 mm	16196-60113	1
Insulator Assembly ϕ 1.08 mm	16196-60114	1
Open Plate	16196-29002	1
Short Plate	16196-29026	1
Push Ring	16196-24004	1
Magnifying Lens ¹	16193-60002	1
Tweezers ¹	8710-2081	1
Wrench	N/A	1
Cleaning Rod	5182-7586	1
Carrying Case	16196-60150	1



Fixture overview

¹: Opt. 16196A-710 only

Options:

16196A-710 : Add the magnifying lens and tweezers

To maintain adequate measurement performance, keep the electrodes and the short plate in good condition. Contaminants and abrasion on these parts considerably affect measurement results, especially for low value measurements. Periodic fixture cleaning and part replacement is recommended to avoid deterioration of measurement performance. The 16196x fixtures are designed with simplicity in mind, so that an operator can easily replace parts. Spare parts, which are likely to be abraded, are supplied with the 16196U Maintenance Kit.

16196U Maintenance Kit

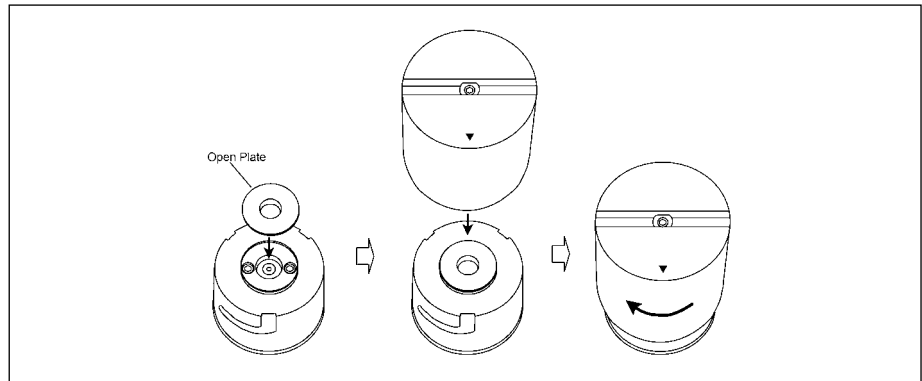
Opt. 16196U-010: Upper electrode, 5 piece set (common to 16196A/B/C models)

Opt. 16196U-100: Short plate for 0603 (inch)/1608 (mm) size, 5 piece set (for 16196A)

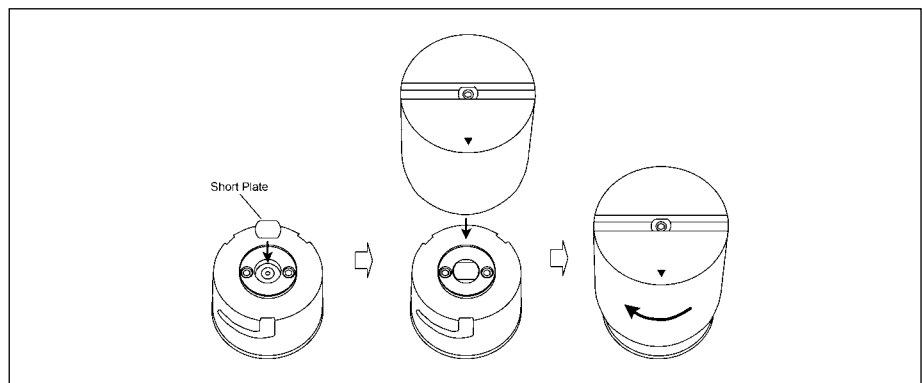
Opt. 16196U-110: Lower electrode, 5 piece set (for 16196A)

Compensation and Measurement: First of all, install the appropriate insulator assembly into the fixture. Then, perform compensation. Open and short compensations are recommended in combination with the electrical length compensation before measurement. The fixture's electrical length must be entered into the electrical length compensation function of the measurement instrument first. Next, open compensation is performed by placing the furnished open plate on top of the insulator assembly. Short compensation is performed by placing the furnished shorting plate on top of the insulator assembly. After performing open and short compensations in combination with the electrical length compensation, the DUT is inserted into the test fixture. Once the measurement of the DUT is complete, remove the DUT from the fixture, by using the furnished push ring. The following figures show how compensation and measurement is performed.

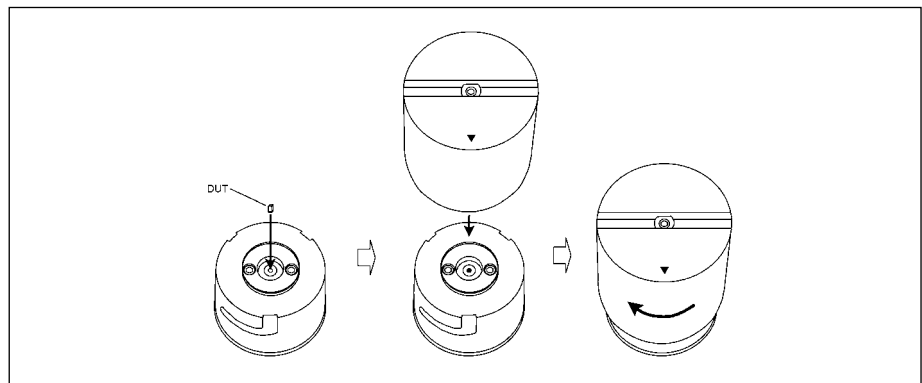
Compensation and Measurement continued



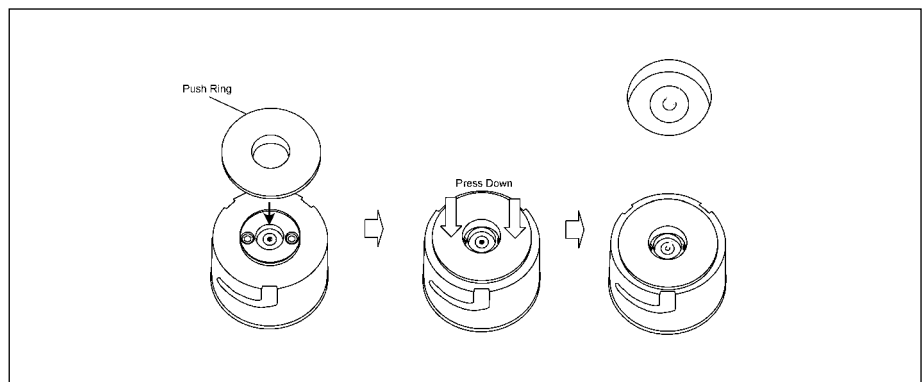
Open Compensation



Short Compensation

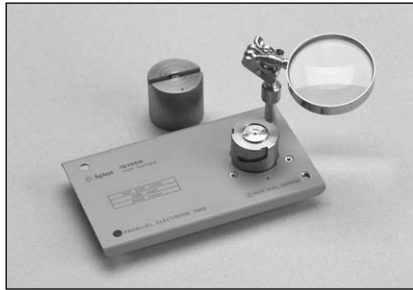


DUT Measurement



Removing a DUT

16196B Parallel Electrode SMD Test Fixture



Terminal Connector: 7 mm
DUT Connection: 2-Terminal
Electrical Length: 26.9 mm
Dimensions (approx.): 140(W) x 48(H) x 78(D) [mm]
Weight (approx.): 250 g
Additional Error:

Type of Error	Impedance
Proportional Error	1.0 x f ² [%]
Open Repeatability	5 + 40 x f [μS]
Short Repeatability	30 + 125 x f [mΩ]

f: frequency [GHz]

Description: This test fixture is designed for impedance evaluations of parallel electrode SMDs. It achieves stable frequency characteristics up to 3 GHz and provides highly repeatable measurements. The applicable SMD size code is 0402 (inch)/1005 (mm).

Applicable Instrument: 4287A, 4294A + 42942A, 4395A with Opt.4395A-010 + 43961A, 4396B with Opt.4396B-010 + 43961A, E4991A

When used with 16085B: 4263B, 4268A, 4279A*, 4284A*, 4285A, 4288A, E4980A, E4981A

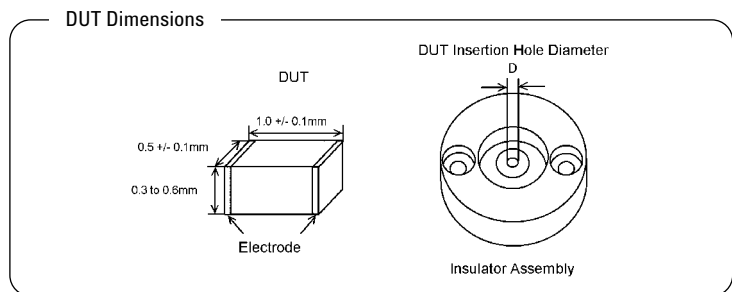
* denotes the instrument is obsolete.

Frequency: DC to 3 GHz

Maximum Voltage: ±40 V peak max (AC +DC)

Operating Temperature: -55°C to +85 °C

DUT size: The applicable SMD size is 0402 (inch) /1005 (mm). For details, see the figure below.



The 16196B is furnished with three different insulator assemblies, since any gaps between the DUT and the cylindrical insulator will result in improper positioning and subsequent measurement errors. Select an insulator assembly that reduces the gap the most. See the table below for dimensions of the insulator assemblies.

	Hole Diameter of Insulator assembly (mm)	SMD case size examples Length,Width, Height (mm)
16196B	φ 0.85	1.0 x 0.5 x 0.5
	φ 0.75	1.0 x 0.5 x 0.35
	φ 0.68	1.0 x 0.5 x 0.35

Furnished Accessories:

Description	P/N	Qty.
Operation and Service Manual	16196-90040	1
Insulator Assembly φ 0.85 mm	16196-60212	1
Insulator Assembly φ 0.75 mm	16196-60213	1
Insulator Assembly φ 0.68 mm	16196-60214	1
Open Plate	16196-29002	1
Short Plate	16196-29027	1
Push Ring	16196-24004	1
Magnifying Lens ¹	16193-60002	1
Tweezers ¹	8710-2081	1
Wrench	N/A	1
Cleaning Rod	5182-7586	1
Carrying Case	16196-60250	1

1: Opt. 16196B-710 only

Options:

16196B-710: Add the magnifying lens and tweezers

To maintain adequate measurement performance, keep the electrodes and the short plate in good condition. Contaminants and abrasion on these parts considerably affect measurement results, especially for low value measurements. Periodic fixture cleaning and part replacement is recommended to avoid deterioration of measurement performance. The 16196x fixtures are designed with simplicity in mind, so that an operator can easily replace parts. Spare parts, which are likely to be abraded, are supplied with the 16196U Maintenance Kit.

16196U Maintenance Kit

Opt. 16196U-010: Upper electrode, 5 piece set (common to 16196A/B/C models)

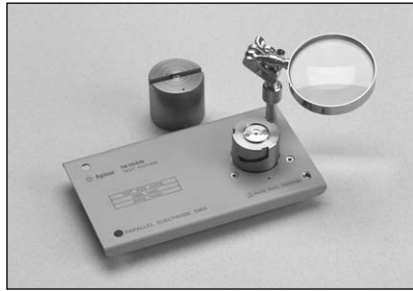
Opt. 16196U-200: Short plate for 0402 (inch)/1005 (mm) size, 5 piece set (for 16196B)

Opt. 16196U-210: Lower electrode, 5 piece set (for 16196B)

Compensation and Measurement: First of all, install the appropriate insulator assembly into the fixture. Then, perform compensation. Open and short compensations are recommended in combination with the electrical length compensation before measurement. The fixture's electrical length must be entered into the electrical length compensation function of the measurement instrument first. Next, open compensation is performed by placing the furnished open plate on top of the insulator assembly. Short compensation is performed by placing the furnished shorting plate on top of the insulator assembly. After performing open and short compensations in combination with the electrical length compensation, the DUT is inserted into the test fixture. Once the measurement of the DUT is complete, remove the DUT from the fixture, by using the furnished push ring. Refer to the 16196A figures to see how compensation and measurement is performed.

16196C Parallel Electrode SMD Test Fixture

Description: This test fixture is designed for impedance evaluations of parallel electrode SMDs. It achieves stable frequency characteristics up to 3 GHz and provides highly repeatable measurements. The applicable SMD size code is 0201 (inch)/0603 (mm).



Applicable Instrument: 4287A, 4294A + 42942A, 4395A with Opt. 4395A-010 + 43961A, 4396B with Opt. 4396B-010 + 43961A, E4991A

When used with 16085B: 4263B, 4268A, 4279A*, 4284A*, 4285A, 4288A, E4980A, E4981A

* denotes the instrument is obsolete.

Frequency: DC to 3 GHz

Maximum Voltage: ±40 V peak max (AC +DC)

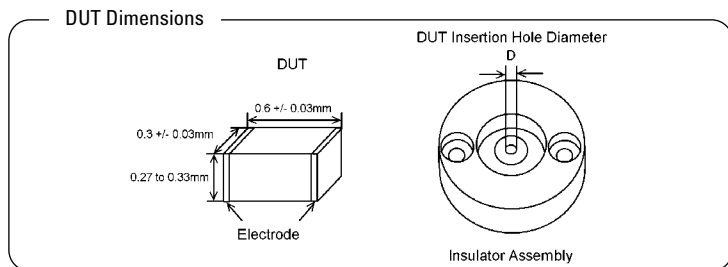
Operating Temperature: -55°C to +85°C

DUT size: The applicable SMD size is 0201 (inch)/0603 (mm). For details, see the figure below.

- Terminal Connector:** 7 mm
- DUT Connection:** 2-Terminal
- Electrical Length:** 27.1 mm
- Dimensions (approx.):** 140(W) x 48(H) x 78(D) [mm]
- Weight (approx.):** 250 g
- Additional Error:**

Type of Error	Impedance
Proportional Error	1.0 x f ² [%]
Open Repeatability	5 + 40 x f [µS]
Short Repeatability	30 + 125 x f [mΩ]

f: frequency [GHz]



The 16196C is furnished with one insulator assembly. See the table below for the dimensions of the insulator assembly.

	Hole Diameter of Insulator assembly (mm)	SMD case size examples Length,Width, Height (mm)
16196C	φ 0.48	0.6 x 0.3 x 0.3

Furnished Accessories:

Description	P/N	Qty.
Operation and Service Manual	16196-90040	1
Insulator Assembly φ 0.48 mm	16196-60312	1
Open Plate	16196-29002	1
Short Plate	16196-29028	1
Push Ring	16196-24004	1
Magnifying Lens ¹	16193-60002	1
Tweezers ¹	8710-2081	1
Wrench	N/A	1
Cleaning Rod	5182-7586	1
Carrying Case	16196-60350	1

Options:

1: Opt. 16196C-710 only

16196C-710: Add the magnifying lens and tweezers

To maintain adequate measurement performance, keep the electrodes and the short plate in good condition. Contaminants and abrasion on these parts considerably affect measurement results, especially for low value measurements. Periodic fixture cleaning and part replacement is recommended to avoid deterioration of measurement performance. The 16196x fixtures are designed with simplicity in mind, so that an operator can easily replace parts. Spare parts, which are likely to be abraded, are supplied with the 16196U Maintenance Kit.

16196U Maintenance Kit

Opt. 16196U-010: Upper electrode, 5 piece set (common to 16196A/B/C models)

Opt. 16196U-300: Short plate for 0201 (inch)/0603 (mm) size, 5 piece set (for 16196C)

Opt. 16196U-310: Lower electrode, 5 piece set (for 16196C)

Compensation and Measurement: Open and short compensations are recommended in combination with the electrical length compensation before measurement. The fixture's electrical length must be entered into the electrical length compensation function of the measurement instrument first. Next, open compensation is performed by placing the furnished open plate on top of the insulator assembly. Short compensation is performed by placing the furnished shorting plate on top of the insulator assembly. After performing open and short compensations in combination with the electrical length compensation, the DUT is inserted into the test fixture. Once the measurement of the DUT is complete, remove the DUT from the fixture, by using the furnished push ring. Refer to the 16196A figures to see how compensation and measurement is performed.

16196D Parallel Electrode SMD Test Fixture



Terminal Connector: 7 mm
DUT Connection: 2-Terminal
Electrical Length: 27.3 mm
Dimensions (approx.): 140(W) x 48(H) x 78(D) [mm]
Weight (approx.): 250 g
Additional Error:

Type of Error	Impedance
Proportional Error	$1.0 \times f^2$ [%]
Open Repeatability	$5 + 40 \times f$ [μ S]
Short Repeatability	$30 + 125 \times f$ [m Ω]

f: frequency [GHz]

Description: This test fixture is designed for impedance evaluations of parallel electrode SMDs. It achieves stable frequency characteristics up to 3 GHz and provides highly repeatable measurements. The applicable SMD size code is 01005 (inch)/0402 (mm).

Applicable Instrument: 4287A, 4294A + 42942A, 4395A with Opt.4395A-010 + 43961A, 4396B with Opt.4396B-010 + 43961A, E4991A

When used with 16085B: 4263B, 4268A, 4279A*, 4284A*, 4285A, 4288A, E4980A, E4981A

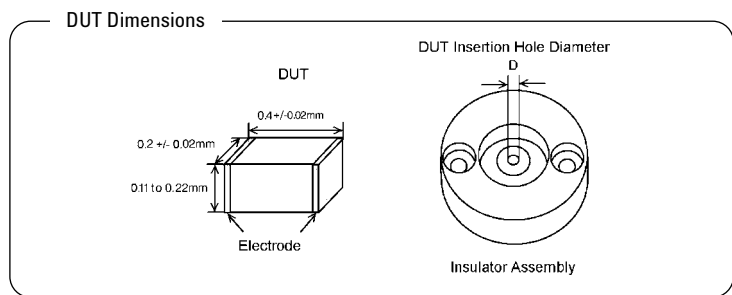
* denotes the instrument is obsolete.

Frequency: DC to 3 GHz

Maximum Voltage: ± 40 V peak max (AC +DC)

Operating Temperature: -55°C to +85 °C

DUT size: The applicable SMD size is 01005 (inch) /0402 (mm). For details, see the figure below.



The 16196D is furnished with two different insulator assemblies, since any gaps between the DUT and the cylindrical insulator will result in improper positioning and subsequent measurement errors. Select an insulator assembly that reduces the gap the most. See the table below for dimensions of the insulator assemblies.

	Hole Diameter of Insulator assembly (mm)	SMD case size examples Length,Width, Height (mm)
16196D	ϕ 0.34	0.4 x 0.2 x 0.2
	ϕ 0.30	0.4 x 0.2 x 0.13 / 0.2

Furnished Accessories:

Description	P/N	Qty.
Operation and Service Manual	16196-90040	1
Insulator Assembly ϕ 0.34 mm	16196-60412	1
Insulator Assembly ϕ 0.30 mm	16196-60414	1
Open Plate	16196-29002	1
Short Plate	16196-65101	1
Push Ring	16196-24004	1
Magnifying Lens ¹	16193-60002	1
Tweezers ¹	8710-2081	1
Wrench	N/A	1
Cleaning Rod	5182-7586	1
Carrying Case	16196-60450	1

1: Opt. 16196D-710 only

Options:

16196D-710: Add the magnifying lens and tweezers

To maintain adequate measurement performance, keep the electrodes and the short plate in good condition. Contaminants and abrasion on these parts considerably affect measurement results, especially for low value measurements. Periodic fixture cleaning and part replacement is recommended to avoid deterioration of measurement performance. The 16196x fixtures are designed with simplicity in mind, so that an operator can easily replace parts. Spare parts, which are likely to be abraded, are supplied with the 16196U Maintenance Kit.

16196U Maintenance Kit

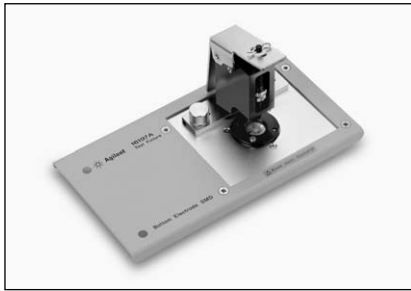
Opt. 16196U-020: Upper electrode, 5 piece set for 16196D

Opt. 16196U-400: Short plate for 01005 (inch)/0402 (mm) size, 5 piece set (for 16196D)

Opt. 16196U-410: Lower electrode, 5 piece set (for 16196D)

Compensation and Measurement:First of all, install the appropriate insulator assembly into the fixture. Then, perform compensation. Open and short compensations are recommended in combination with the electrical length compensation before measurement. The fixture's electrical length must be entered into the electrical length compensation function of the measurement instrument first. Next, open compensation is performed by placing the furnished open plate on top of the insulator assembly. Short compensation is performed by placing the furnished shorting plate on top of the insulator assembly. After performing open and short compensations in combination with the electrical length compensation, the DUT is inserted into the test fixture. Once the measurement of the DUT is complete, remove the DUT from the fixture, by using the furnished push ring. Refer to the 16196A figures to see how compensation and measurement is performed.

16197A Bottom Electrode SMD Test Fixture



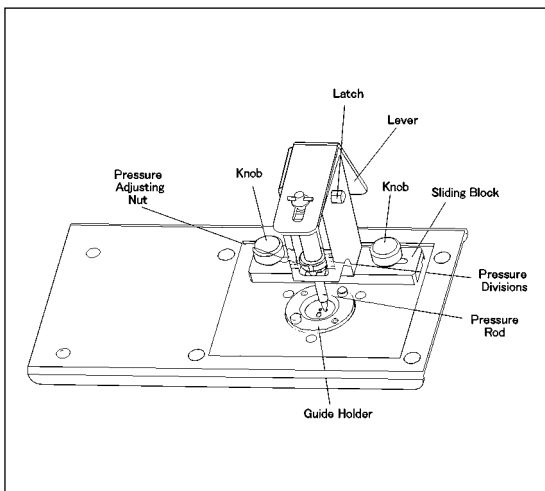
Terminal Connector: 7 mm
DUT Connection: 2-Terminal
Electrical Length: 14 mm
Dimensions (approx.): 160(W) x 70(H) x 86(D) [mm]
Weight (approx.): 300 g
Additional Error:

Type of error	Impedance
Proportional Error	$1.2 \times f^2$ [%]
Open Repeatability	$2 + 30 \times f$ [μ S]
Short Repeatability	$30 + 150 \times f$ [m Ω]

f: frequency [GHz]



E4991A with 16197A



Test fixture overview

Description: This test fixture is designed for impedance evaluations of bottom electrode SMDs. It achieves stable frequency characteristics up to 3 GHz and provides highly repeatable measurements. This test fixture supports various SMD sizes, as small as 1005 (mm)/0402 (inch) and as large as 3225 (mm)/1210 (inch). Accommodation of the 0603 (mm)/0201 (inch) size is available with option 001.

Applicable Instrument: 4287A, 4294A + 42942A, 4395A with Opt. 4395A-010 + 43961A, 4396B with Opt. 4396B-010 + 43961A, E4991A

When used with 16085B: 4263B, 4268A, 4279A*, 4284A*, 4285A, 4288A, E4980A, E4981A

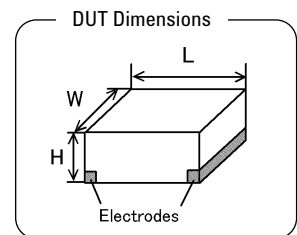
* denotes the instrument is obsolete.

Frequency: DC to 3 GHz

Maximum Voltage: ± 40 V peak max (AC +DC)

Operating Temperature: -55°C to $+85^{\circ}\text{C}$

DUT size: See figure and table below:



Standard Option	Applicable SMD size	
SMD Size Code	L x W [mm]	H [mm]
3225 (mm)/1210 (inch)	$(3.2 \pm 0.15) \times (2.5 \pm 0.15)$	$H \geq 0.4$
3216 (mm)/1206 (inch)	$(3.2 \pm 0.15) \times (1.6 \pm 0.15)$	$H \geq 0.4$
2012 (mm)/0805 (inch)	$(2.0 \pm 0.15) \times (1.25 \pm 0.15)$	$H \geq 0.4$
1608 (mm)/0603 (inch)	$(1.6 \pm 0.15) \times (0.8 \pm 0.15)$	$H \geq 0.4$
1005 (mm)/0402 (inch)	$(1.0 \pm 0.1) \times (0.5 \pm 0.1)$	$H \geq 0.4$

Option 16197A-001	Applicable SMD size	
SMD Size Code	L x W [mm]	H [mm]
0603 (mm)/0201 (inch)	$(0.6 \pm 0.03) \times (0.3 \pm 0.03)$	$H \geq 0.25$

Furnished Accessories:

Description	P/N	Qty.
Operation and Service Manual	16197-90000	1
Blank Device Guide	16197-25006	1
Magnifying Lens	16193-60002	1
Tweezers	8710-2081	1
Wrench	N/A	1
Carrying Case	16197-60050	1
Case for Shorting Devices	1540-0692	1
Short Plate	See below	See below

Shorting Device Size and Part Number (Furnished)

Size	P/N	Qty.
1 x 0.5 x 0.5 (mm)	16191-29005	1
1.6 x 0.8 x 0.8 (mm)	16191-29006	1
2.0 x 1.2 x 0.8 (mm)	16191-29007	1
3.2 x 1.6 x 0.8 (mm)	16191-29008	1

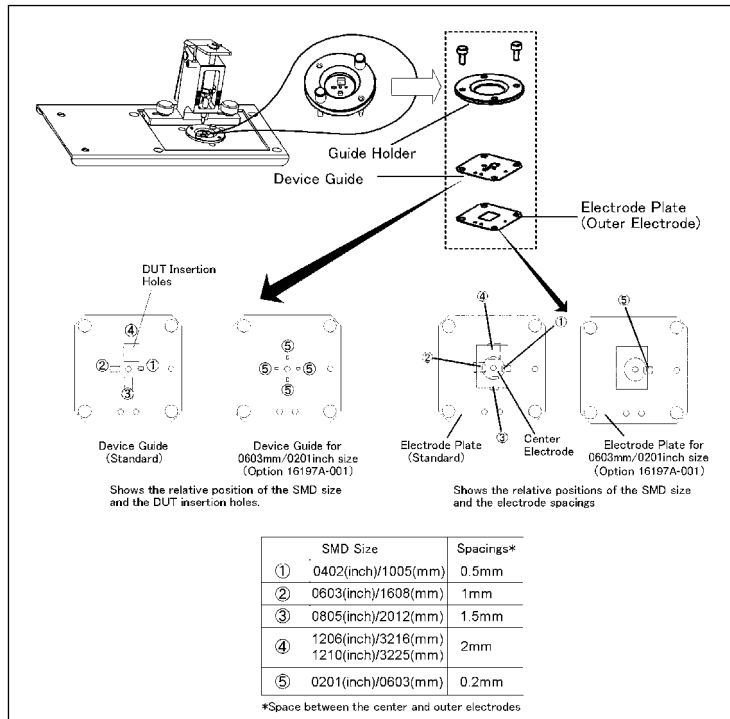
Shorting Device Size and Part Number (Option 16197A-001)

Size	P/N	Qty.
0.6 x 0.3 x 0.3 (mm)	16197-29001	4

Options:

16197A-001: Add 0603 (mm)/0201 (inch) Device Guide Set

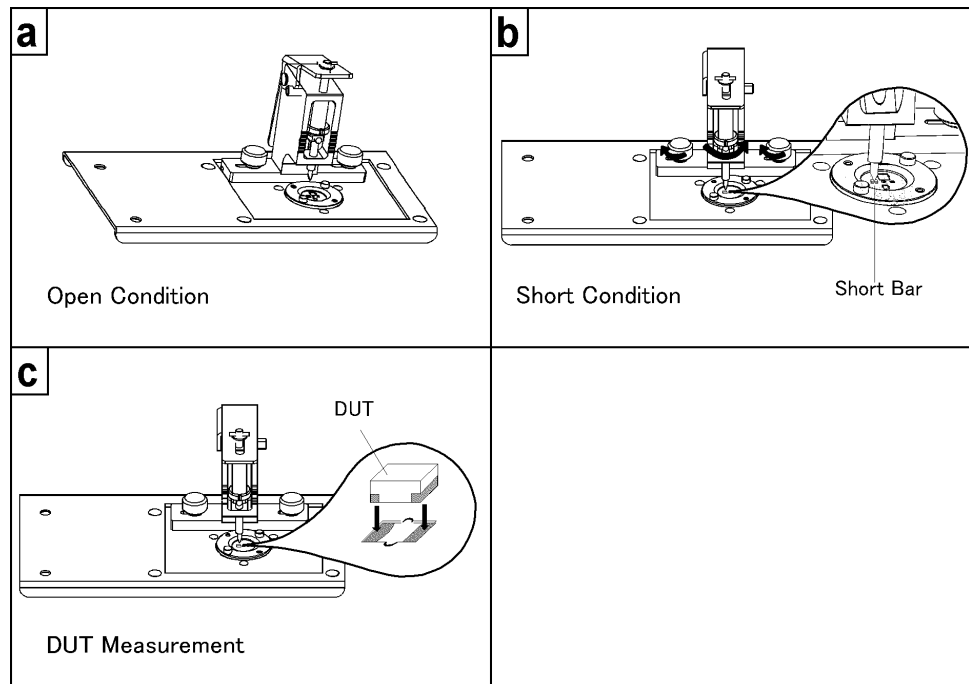
The 16197A's electrode spaces are 0.5 mm, 1 mm, 1.5 mm and 2 mm and the device guide matches these spaces with appropriate insertion holes for the applicable SMD. The 0.2 mm electrode spacing is available with option 001, which includes a device guide with 0603 mm/0201inch insertion holes, an electrode plate and 4 shorting devices.



Electrodes configuration and SMD size

Compensation and Measurement: First of all, select the appropriate device insertion hole. If the device insertion hole is not positioned in the pressure arm's contact range, reposition the device guide and the electrode plate. Once this is prepared, perform compensation. Open and short compensations are recommended in combination with the electrical length compensation before measurement. The fixture's electrical length must be entered into

the electrical length compensation function of the measurement instrument first. Next, open compensation is performed by not placing anything in the device insertion hole. Short compensation is performed by placing the furnished shorting device in the device insertion hole. After performing open and short compensations in combination with the electrical length compensation, the DUT is inserted into the device insertion hole. Once the measurement of the DUT is complete, remove the DUT from the fixture. The following figures show how compensation and measurement is performed.



Compensation and measurement

16094-65000 Probe Test Fixture



Terminal Connector: 7 mm
DUT Connection: 2-Terminal
Electrical Length: 23.2 mm
Weight (approx.): 25 g
Additional Error: See figure below

Description: This probe test fixture is used along with the 7 mm cable (P/N 8120-4779). Together they provide the capability to perform in-circuit measurements (printed circuit patterns, the input/output impedance of circuits, etc.).

Applicable Instrument: 4294A + 42942A, (4287A, 4395A with Opt. 4395A-010 + 43961A, 4396B with Opt. 4396B-010 + 43961A, E4991A)**

When used with 16085B: 4263B, 4268A, 4279A*, 4284A*, 4285A, 4288A, E4980A, E4981A

* denotes the instrument is obsolete.

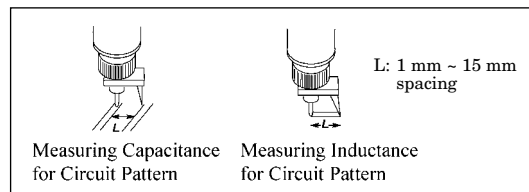
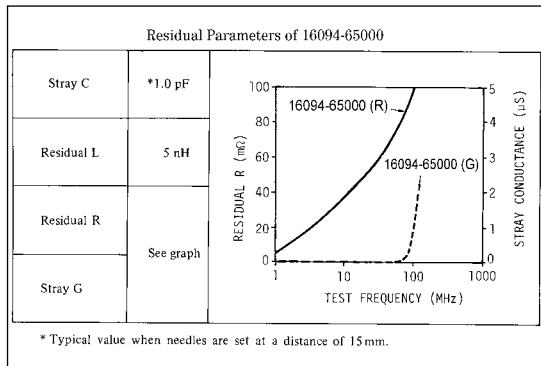
** applicable in a limited frequency range.

Frequency: DC to 125 MHz

Maximum DC Bias Voltage: ±40 V

Operating Temperature: 0°C to 55°C

DUT size: See figure below.

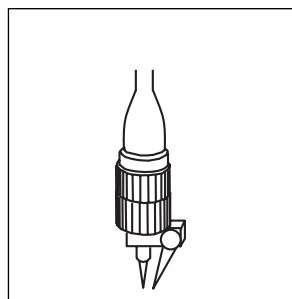


Compensation and Measurement: The compensation with following 3 steps is recommended.

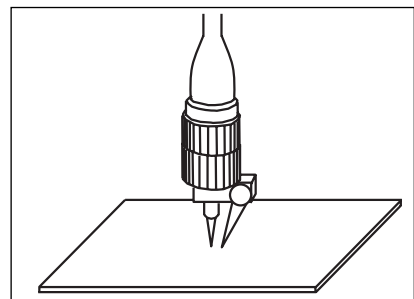
1. Perform open/short/load calibration at the end of 7 mm coaxial extension cable before connecting the 16094-65000 to the cable.
2. After connecting the 16094-65000 to the tip of the coaxial cable, enter the electrical length value of the 16094-65000, 23.2 mm, to the instrument.
3. Perform open and short compensations at the tip of the 16094-65000. The open compensation is performed by separating the high and the low electrodes from each other. Short compensation is performed by shorting the probe. To short the probe, it is recommended to use a shorting device with gold-plated surfacing (which provides stable contact resistance). The figures in this page shows the images of open and short conditions.

Necessary Accessories:

The operating note of this product is not furnished as standard. It is downloadable from Agilent website (www.agilent.com). Search the web using the keyword "16094A".



Open compensation

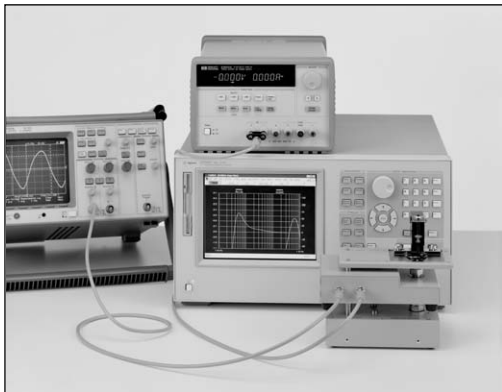


Short compensation

16200B External DC Bias Adapter



Terminal Connector: 7 mm
DC BIAS Input connector: BNC(f)
Voltage Monitor connector: BNC(f)
Dimensions (approx.): 165(W) x 65 (H) x 130(D) [mm]
Weight (approx.): 500 g



Connection example

Description: This test fixture is designed to measure a DUT with DC bias. By connecting an external DC current source to the 16200B, it can supply a bias current across the DUT of up to ± 5 Adc through a 7 mm port.

Applicable Instruments: (4291B*, 4294A + 42942A, 4287A, 4395A with Opt. 4395A-010 + 43961A, 4396B with Opt. 4396B-010 + 43961A, E4991A)**

When used with 16085B: 4279A*, (4284A*, 4285A, 4288A, E4980A, E4981A)

* denotes the instrument is obsolete.

** applicable in a limited frequency range.

Frequency: 1 MHz to 1 GHz

DC Bias: Up to 5A, 40 V

Operating Temperature: 0°C to 55°C

Applicable Fixtures: 16191A*, 16192A, 16194A, 16196A/B/C/D, 16197A, 16092A, 16093A/B*

* denotes the instrument is obsolete.

Furnished Accessories:

Description	P/N	Qty.
Operation and Service Manual	16200-90011	1

Shorting Devices' Size and Part Number (option 16200B-001)

Size	P/N	Qty.
0.6 x 0.3 x 0.3 (mm)	16197-29001	2
1 x 0.5 x 0.5 (mm)	16191-29005	2
1.6 x 0.8 x 0.8 (mm)	16191-29006	2
2.0 x 1.2 x 0.8 (mm)	16191-29007	2
3.2 x 1.6 x 0.8 (mm)	16191-29008	2

Load Devices' Size and Part Number (option 16200B-001)

Size	P/N	Qty.
0.6 x 0.3 x 0.3 (mm)	NA	5
1 x 0.5 x 0.5 (mm)	NA	5
1.6 x 0.8 x 0.8 (mm)	NA	5
2.0 x 1.2 x 0.8 (mm)	NA	5
3.2 x 1.6 x 0.8 (mm)	NA	5

Options:

16200B-001: For 4291B users, Add Working Std Set

Compensation and Measurement: When using the 4291B, follow these instructions: Perform open, short, load and low-loss calibration at the 7 mm test port of the 4291B. Connect the 16200B to the 7 mm test port, and connect the test fixture onto the 16200B. Open, short, and load compensations are recommended before measurement. Use the short bars and 51 Ω SMD resistors furnished with 16200B's option 16200B-001 to perform short and load compensation respectively.

When using other instruments, follow these instructions: Connect the 16200B to the 7 mm test port of the measurement instrument. Perform open, short, load (and low-loss calibration) at the 7 mm test port of the 16200B. Then, connect the test fixture onto the 16200B and perform open, short, and electrical length compensations in the usual manner.

16453A Dielectric Material Test Fixture

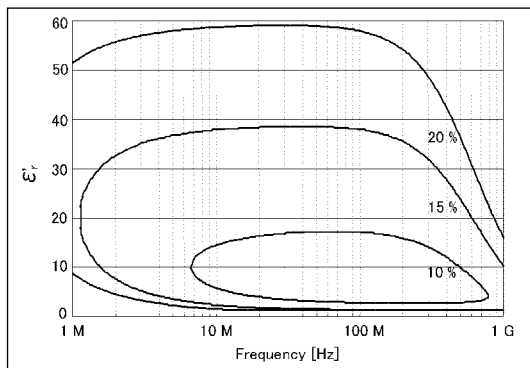


Terminal Connector: 7 mm

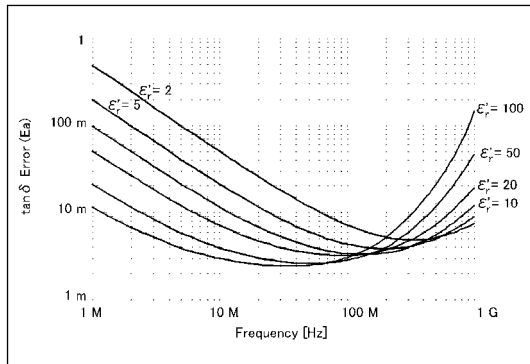
Dimensions (approx.): 130(H) x 50(W) x 60(D) [mm]

Weight (approx.): 600 g

Measurement Accuracy (including the E4991A):



Typical Permittivity (ϵ_r) Measurement Accuracy (@ thickness = 1 mm)



Typical Loss Tangent ($\tan \delta$) Measurement Accuracy (@ thickness = 1 mm)



E4991A with 16453A

Description: The 16453A is designed for accurate dielectric constant and loss tangent measurements on the E4991A. It employs the parallel plate method, which sandwiches the material between two electrodes to form a capacitor. E4991A measures the capacitance created from the fixture, and option E4991A-002 firmware calculates the relative complex permittivity as described in the 16451B. Adjustment to insure parallel electrodes is required when using the 16451B. This adjustment is not required with 16453A because the fixture has a flexible electrode that adjusts automatically to the material surface.

Applicable Instruments: (E4991A with Opt. E4991A-002, 4291B with Opt. 4291B-002*)**

* denotes the instrument is obsolete.

** applicable in a limited frequency range.

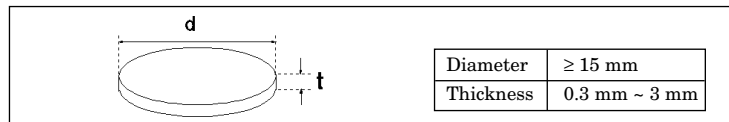
Frequency: 1 MHz to 1 GHz

Maximum DC Bias Voltage: ± 40 V

Operating Temperature: -55°C to 200°C

When Option E4991A-007 temperature characteristic test kit is used with E4991A, the operating temperature range is between -55°C and $+150^\circ\text{C}$.

Material Size:



Furnished Accessories:

Description	P/N	Qty.
Fixture Holder	16453-01213	1
Load	16453-60021	1
Tweezers	8710-2081	1
Carrying Case	16453-60011	1
Operation and Service Manual	16453-90010	1

Compensation and Measurement: Open, short and load compensations are recommended before measurement. Open compensation is performed by separating the high and the low electrodes from each other. Short compensation is performed by connecting the high and low electrodes together. Load compensation is performed by using the furnished load material. After performing open, short and load compensations, the material under test is inserted into the test fixture.

16454A Magnetic Material Test Fixture



Terminal Connector: 7 mm

Dimensions (approx.):

(Large Test Fixture) 30(D) x 35(H) [mm]

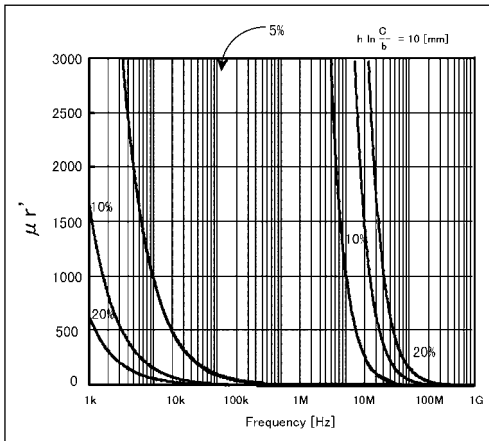
(Small Test Fixture) 24(D) x 30(H) [mm]

Weight (approx.):

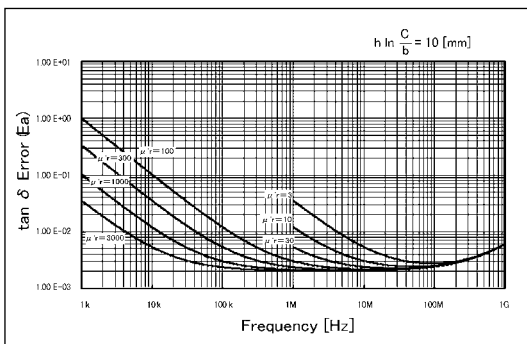
(Large Test Fixture) 140 g

(Small Test Fixture) 120 g

Measurement Accuracy (typical.):

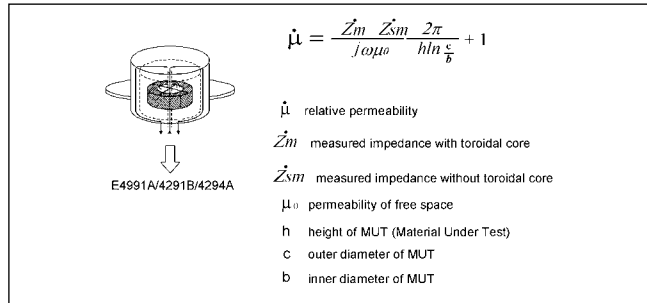


Typical Permeability ($\mu r'$) Measurement Accuracy (@ $h \cdot \ln c/b = 10$)



Typical Loss Tangent ($\tan \delta$) Measurement Accuracy (@ $h \cdot \ln c/b = 10$)

Description: The 16454A is designed for accurate permeability measurements of toroidal-shaped magnetic materials. Since the construction of this fixture creates one turn around the toroid (with no magnetic flux leakage), the need of winding a wire around the toroid is unnecessary. The following figure shows the one-turn mechanism and how complex permeability is calculated from it.



Permeability measurement method of 16454A

Complex permeability is calculated from the inductance with and without the toroid. When E4991A with option E4991A-002 is used as the measurement instrument, direct readouts of complex permeability are possible. In addition, it is furnished with a small and a large fixture to adapt to a wide range of sizes.

Applicable Instruments: (4294A + 42942A, E4991A with Opt. E4991A-002, 4291B with Opt. 4291B-002)**

* denotes the instrument is obsolete.

** applicable in a limited frequency range.

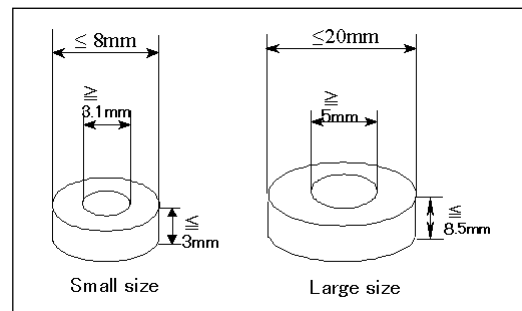
Frequency: 1 kHz to 1 GHz,

DC Bias: -500 mA to +500 mA (max)

Operating Temperature: -55°C to 200°C

When Option E4991A-007 temperature characteristic test kit is used with E4991A, the operating temperature range is between -55°C and +150°C. The temperature characteristic test kit is unavailable for the 4294A.

Material Size: See figure below.



Material size



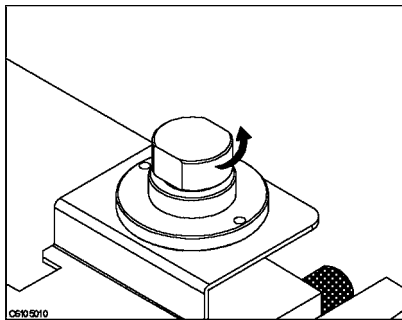
E4991A with 16454A

Furnished Accessories:

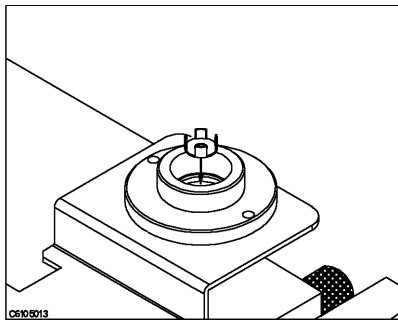
Description	P/N	Qty.
Fixture Holder	16454-00601	1
Tweezers	8710-2081	1
Screw, Hex Recess	0515-1050	1
Holder A	16454-25002	1
Holder B	16454-25001	1
Holder C (Without hole)	16454-25004	1
Holder D (With hole)	16454-25003	1
Holder Case	1540-0622	1
Hex Key (for replacing fixtures)	8710-1181	1
Carrying Case	16454-60101	1
Operation and Service Manual	16454-90020	1

Compensation and Measurement: Short compensation is required before measurement. Short compensation is performed by only inserting the MUT holder into the test fixture. After performing short compensation, the MUT is inserted into the fixture as shown below.

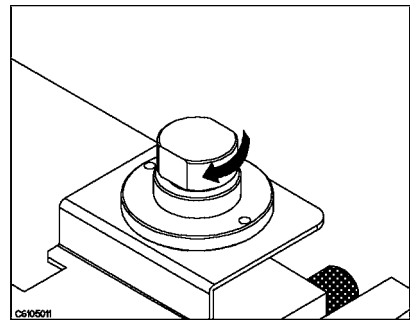
Short Compensation



Remove the cap of the fixture

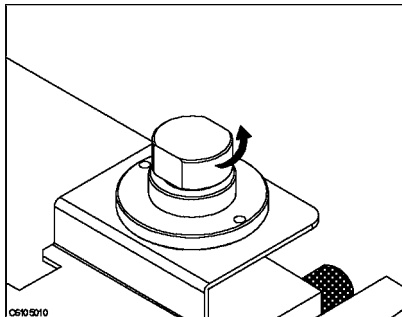


Place a MUT holder only in the fixture

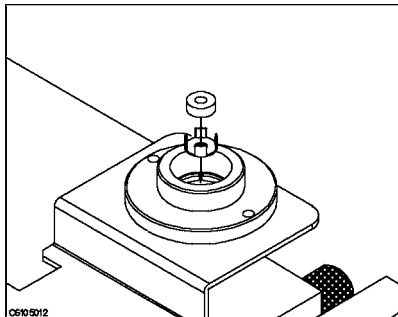


Replace the cap by screwing tightly

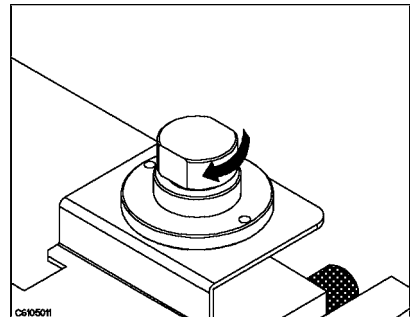
Placing the MUT on the Test Fixture as follows:



Remove the cap of the fixture



Place a MUT onto the MUT holder and insert it into the fixture.



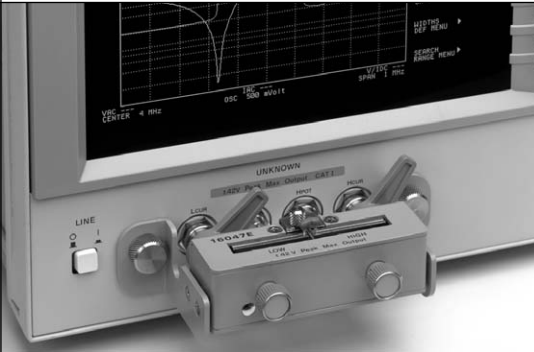
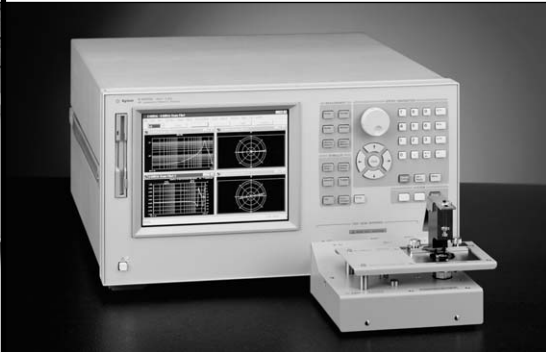


Replace the cap by screwing tightly

DC (High resistance)

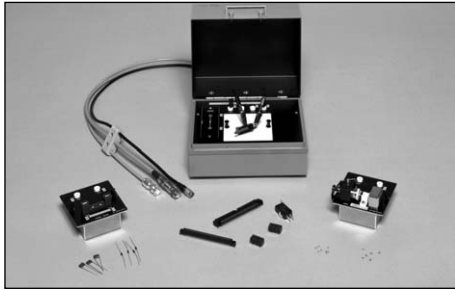
Test Fixtures for DC (High Resistance) Measurements

Test Fixture	Frequency	Applicable Instrument
16339A	DC	4339B
16118A	DC	4339B
16117B/C	DC	4349B
16117E	DC	4349B
16008B	DC	4339B

Applicable Instrument

Frequency Range	Up to 110 MHz (Terminal Configuration: 4-Terminal Pair)	Up to 3 GHz (Terminal Configuration: 7 mm)
		
Measurement Instruments	4263B, 4268A, 4279A, 4284A, 4285A, 4288A, 4294A, E4980A, E4981A	4291B, 4294A + 42942A, 4395A w/Opt. 010 + 43961A, 4396B w/Opt. 010 + 43961A, 4287A, E4991A Any 4TP instruments (excluding 4294A) + 16085B
Frequency	DC (High Resistance Measurement)	1 kHz (Milliohm Measurement)
		
Measurement Instruments	4339B, 4349B	4338B

16339A Component Test Fixture



Terminal Connector:

Type	Connector
Input	Triaxial (special screw-type)
Output	High Voltage BNC (special type)
Control	Interlock connector*

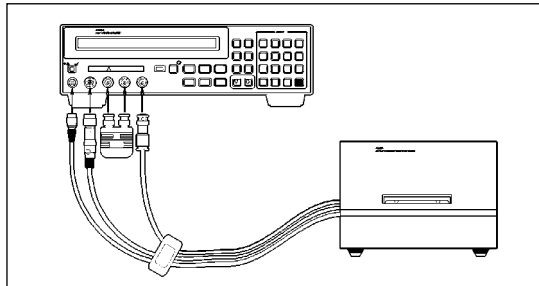
* Interlock Connector enables and disables the application of source voltage from the measurement instrument.

DUT Connection: 2-Terminal (with triaxial cable)

Dimensions (approx.): 200(W) x 140(H) x 230 (D) [mm]

Cable Length (approx.): 0.8 m

Weight (approx.): 2200 g



4339B with 16339A

Description: The 16339A is designed to operate specifically with 4339B. It is provided with three component modules, which are used to hold SMD, lead and various type of devices. Electrical noise effects are reduced by the employment of a shielded case. A built-in interlocking circuit enables safe high-voltage measurements.

Applicable Instruments: 4339B

Frequency: DC

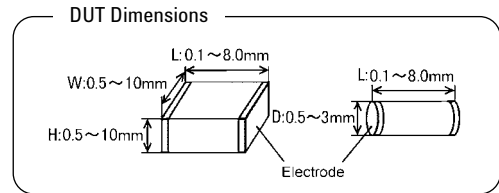
Maximum Voltage: 1000 V

Maximum Current: 10 mA

Resistance Measurement Range: 1 x 10³ to 2 x 10¹⁶ Ω

Operating Temperature: 0°C to 55°C

DUT Size: For Alligator Clip and Flat Table, lead diameter ≤5 mm

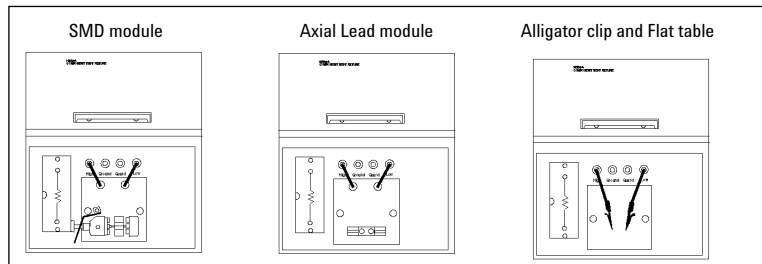


SMD module

Furnished Accessories:

Description	P/N	Qty.
Axial Lead Module	16339-60102	1
SMD Module	16339-60101	1
Flat Table	16339-60004	1
Miniature Banana-Plug cable	16339-61621	2
100 kΩ Output Resistor	16339-61001	1
1 MΩ Output Resistor	16339-61002	1
10 MΩ Output Resistor	16339-61003	1
100 MΩ Output Resistor	16339-61004	1
Alligator Clip	8710-1984	2
Carrying Case	16339-60021	1
Operation and Service Manual	16339-90010	1

Compensation and Measurement: Open compensation is recommended before measurement. When using the axial lead module, have no DUT connected to the electrodes. When using the SMD module, separate the high and low electrodes from each other. The separation should be equivalent in size to the DUT's width. When using the alligator clip and flat table, remove the alligator clips from the input terminals of the test fixture. After preparing the open condition of the respective module, close the top cover and then perform open compensation. Finally, the DUT is inserted into the respective module. The following figure shows the three component modules.



Component module configurations

16118A Tweezers Test Fixture



Terminal Connector:

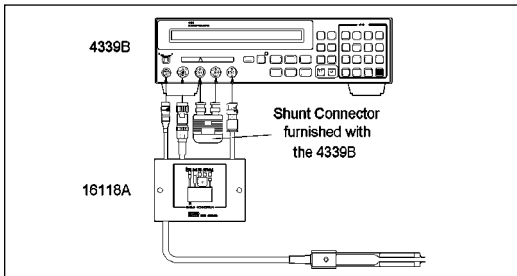
Type	Connector
Input	Triaxial (special screw-type)
Output	High Voltage BNC (special type)
Control	Interlock connector*

* Interlock Connector enables and disables the application of source voltage from the measurement instrument.

DUT Connection: 2-Terminal (with triaxial cable)

Cable Length (approx.): 1 m

Weight (approx.): 410 g



4339B with 16118A

Description: The 16118A is designed to operate specifically with 4339B. The tweezer’s contacts, which makes it easy to hold SMD. Electrical noise effects are reduced by the employment of shielded-cables. A built-in interlocking circuit enables safe high-voltage measurements.

Applicable Instruments: 4339B

Frequency: DC

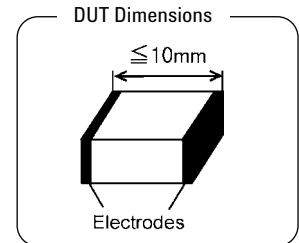
Maximum Voltage: 100 V

Maximum Current: 0.87 mA

Resistance Measurement Range: 1×10^7 to $1 \times 10^{11} \Omega$

Operating Temperature: 0°C to 55°C

DUT Size: See figure below



Furnished Accessories:

Description	P/N	Qty.
Operation and Service Manual	16118-90010	1

Compensation and Measurement: Open compensation is recommended before measurement. Separate the electrodes from each other. The separation should be equivalent in size to the DUT’s width. After performing open compensation, the DUT is sandwiched by the tweezers’ contacts and is measured.

16117B Low Noise Test Leads



Terminal Connector:

Type	Connector
Input	Triaxial (special screw-type)
Output	High Voltage BNC (special type)
Control	Interlock connector*

* Interlock connector enables and disables the application of source voltage from the measurement instrument.

DUT Connection: 2-Terminal (with triaxial cable)

Cable Length (approx.): 1 m (connector to clips)

Weight (approx.): 280 g

Description: The 16117B is designed to operate specifically with 4339B. With Option 16117B-003 wide jaw clips, it is capable of holding DUTs with large terminals. The clips can be replaced with probes (Option 16117B-001) for measurements of small DUTs such as PC boards or IC sockets. Option 16117B-002 enables the construction of simple custom-made test leads. Electrical noise effects are reduced by the employment of shielded-cables. A built-in interlocking circuit enables safe high-voltage measurements.

Applicable Instruments: 4339B

Frequency: DC

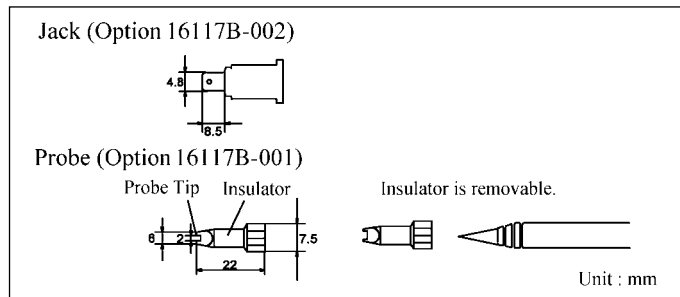
Maximum Voltage: 1000 V

Maximum Current: 0.5 mA

Resistance Measurement Range: 1×10^3 to $1 \times 10^{11} \Omega$

Operating Temperature: 0°C to 55°C

DUT Size: For clips (Opt. 16117B-003), lead diameter ≤ 30 mm
For probes and sockets, see figure below:



Furnished Accessories:

Description	P/N	Qty.
Operation and Service Manual	16117-90060	1

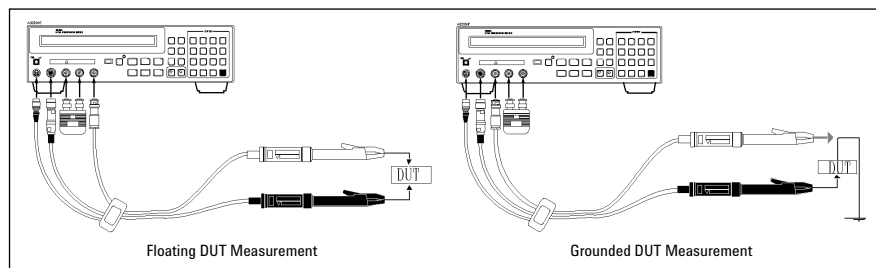
Options:

16117B-001: Add Pin Probes (2 ea.)

16117B-002: Add Soldering Sockets (2 ea.)

16117B-003: Add Alligator Clips (2 ea.)

Compensation and Measurement: Open compensation is recommended before measurement. Separate the test clips (or probes) from each other. After performing open compensation, the DUT is connected to the clips (or probes). The DUT can be measured in two configurations: floating and grounded. The connections are shown in the figure below:



Floating and grounded DUT measurement

Note:

Part number corresponding to Probe/Socket/Clip is as follows:

Pin Probes:

8710-2301 (Black),

8710-2302 (Red)

Soldering Socket:

1200-1903 (Black),

1200-1904 (Red)

Alligator Clip:

8710-2404 (Black),

8710-2405 (Red)

16117C Low Noise Test Leads



Terminal Connector:

Type	Connector
Input	Triaxial (special screw-type)
Output	High Voltage BNC (special type)
Control	Interlock connector*

* Interlock connector enables and disables the application of source voltage from the measurement instrument.

DUT Connection: 2-Terminal (with triaxial cable)
Cable Length (approx.): 1 m (connector to connector)
Weight (approx.): 290 g

Description: The 16117C is designed to operate specifically with 4339B. It comes with a separate triaxial (special screw-type) female connector and a high-voltage BNC (special type) female connector, so that the terminal configuration of the 4339B can be converted to any other configuration. Therefore, custom-made test fixtures can easily be constructed.

Applicable Instruments: 4339B

Frequency: DC

Maximum Voltage: 1000 V

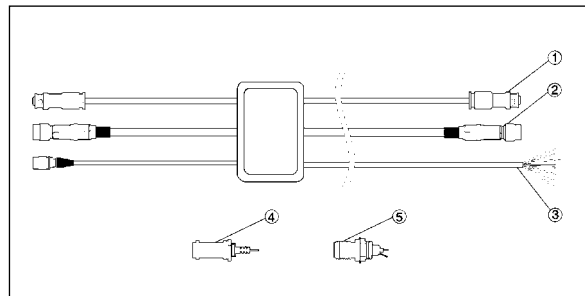
Maximum Current: 10 mA

Resistance Measurement Range: 1×10^3 to $1 \times 10^{16} \Omega$

Operating Temperature: 0°C to 55°C

Furnished Accessories:

Description	P/N	Qty.
Triaxial (special screw-type) female connector	1250-2228	1
High Voltage BNC (special type) female connector	1250-2317	1
Operation and Service Manual	16117-90041	1



Adapter features

1. High-voltage BNC cable. This connector provides the source voltage to the 16117C. This is a high-voltage BNC connector and is not compatible with standard BNC connectors.
2. Triaxial cable. The measured signal is carried on the center conductor of this connector. This is a special screw-type triaxial connector and is not compatible with standard triaxial connectors.
3. Interlock cable. This connector enables the interlock function which enables and disables the application of source voltage from the 4339B when the interlock line is connected and disconnected respectively.
4. High-voltage BNC (special type) female connector
5. Triaxial (special screw-type) female connector.

16117E Low Noise Test Leads



Terminal Connector: Triaxial (m)
Cable Length (approx.): 1 m (connector to connector)
Weight (approx.): 130 g

Description: The 16117E is designed to operate specifically with 4349B. It is used to connect the 4349B and the DUT. Hence, four 16117E test leads are required when using four channels of the 4349B. Its cable is equipped with triaxial connectors on both ends. It is also furnished with a triaxial female connector for connection with the DUT and external voltage source.

Applicable Instruments: 4349B

Frequency: DC

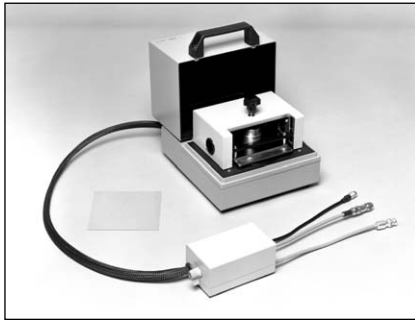
Maximum Voltage: 250 V

Operating Temperature: 0°C to 45°C

Furnished Accessories:

Description	P/N	Qty.
Triaxial female connector	1250-1906	1

16008B Resistivity Cell



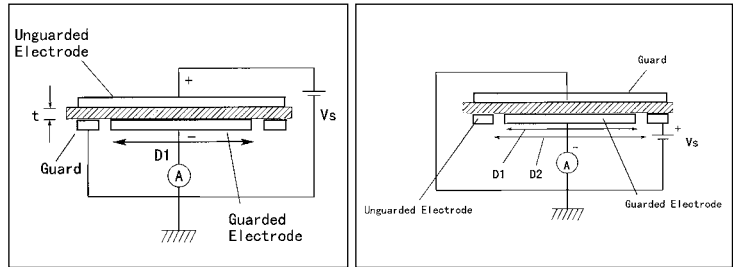
Terminal Connector:

Type	Connector
Input	Triaxial (special screw-type)
Output	High Voltage BNC (special type)
Control	Interlock connector*

* Interlock Connector enables and disables the application of source voltage from the measurement instrument.

DUT Connection: 2-Terminal (with triaxial cable)
Dimensions (approx.): 240(W) x 180(H) x 240(D) [mm]
Cable Length (approx.): 1.2 m (connector to electrodes)
Weight (approx.): 7000 g

Description: The 16008B is designed to operate specifically with 4339B. It is used to measure surface or volume resistance/resistivity of insulation materials. The following figures show the block diagrams of resistivity measurements.



Volume resistivity measurement Surface resistivity measurement

Volume resistivity is measured across the material (MUT) by the unguarded and guarded electrodes. Surface resistivity, on the other hand, is measured along the surface of the MUT (between the guarded and the unguarded electrodes). Notice that the role of the guard and unguarded electrodes switch, when measuring volume and surface resistivity. 16008B is provided with three different electrode sizes to meet size requirements by different measurement standards. The guarded electrode eliminates measurement errors due to the edge effect and arbitrary contact pressure can be applied to the material under test. It is also equipped with a high-voltage protection cover to shut off power when opened.

Applicable Instruments: 4339B

Frequency: DC

Maximum Voltage: 1000 V

Maximum Current: 10 mA

Resistance Measurement Range:

Volume Resistivity Measurement Range:

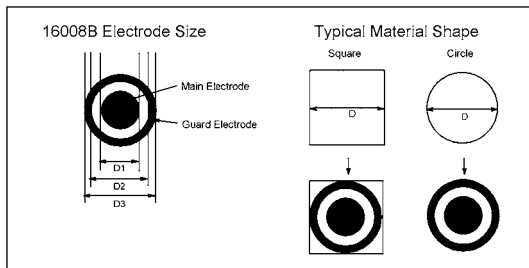
up to $4.0 \times 10^{18} \Omega\text{cm}$

Surface Resistivity Measurement Range:

up to $4.0 \times 10^{17} \Omega$

Operating Temperature: -30°C to +100°C (excluding selector switch)

Material Size: Select an electrode so that outer diameter of guarding electrode is smaller than the DUT's diameter. See figure and table below for more details:



Electrode sizes and applicable material sizes

D1	D2	D3	Ordering information	D
Main Electrode	Guard Electrode (Inner Diameter)	Guard Electrode (Outer Diameter)	—	Material Size
26 mm	38 mm	48 mm	Supplied with Opt.16008B-001/002	50 mm* to 125 mm
50 mm	70 mm	80 mm	Standard - equipped	82 mm* to 125 mm
76 mm	88 mm	98 mm	Supplied with Opt.16008B-001	100 mm* to 125 mm

* Outer Diameter of Guard Electrode + 2 mm
 Thickness: 10µm to 10 mm

Furnished Accessories:

Description	P/N	Qty.
Operation and Service Manual	16008-90011	1

Options:

16008B-001: Add 26 & 76 mm diameter electrodes

16008B-002: Add 26 mm diameter electrode

Compensation and Measurement: Using the selector switch on the 16008B, select either the volume resistivity or surface resistivity measurement configuration. Open compensation is recommended before measurement and when the measurement configuration is switched. Separate the upper electrode from the main electrode by turning the contact pressure load knob until the upper electrode does not move. Then, close the top cover and perform open compensation. After open compensation, the material under test (MUT) is placed on the main electrode and the upper electrode is placed over it. Next, turn the load knob to adjust the electrode contact pressure on the MUT. Close the top cover and measure the MUT's surface or volume resistivity.

It is vital to make measurements, which are compatible to a certified test method (standard). It is shown below that the 16008B can make resistivity measurements which are compatible with ASTM D257 Standard Test Methods for DC Resistance or Conductance of Insulating Materials. In the figure and tables shown below, the size and shape is compared for two pairs of electrodes: one that is specified in ASTM D257 and the one that is used with the 16008B Resistivity Cell. The similarity implies that the 16008B is compatible with ASTM D257.

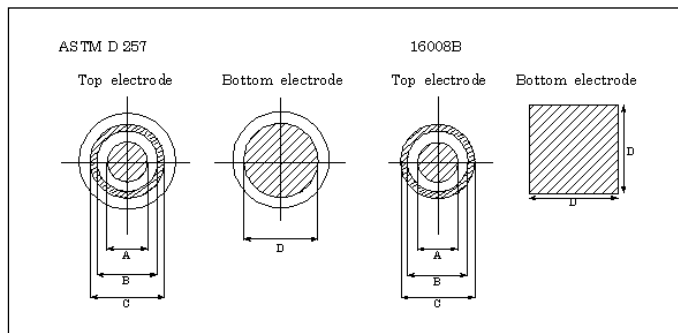
Note:

The main electrodes are orderable as a part by using following part numbers. Replace the main electrode when the conductive elastomer on the electrode comes off:

26 mm electrode: 16008-60083

50 mm electrode: 16008-60081

76 mm electrode: 16008-60085



Compatibility with ASTM D257

ASTM D257's recommended electrode sizes

	Choice 1	Choice 2
A	76 mm	25 mm
B	88 mm	38 mm
C	100 mm	50 mm
D	100 mm	50 mm

16008B electrode sizes

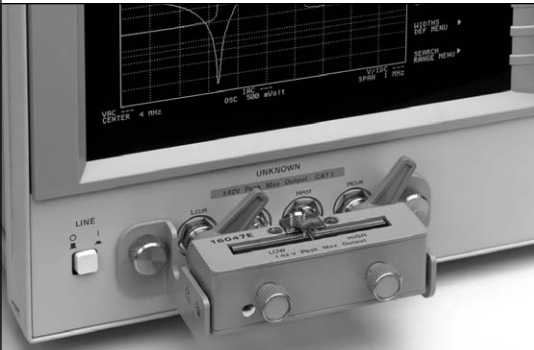



	Opt. 16008B-001	Opt. 16008B-001/002
A	76 mm	26 mm
B	88 mm	38 mm
C	98 mm	48 mm
D	110 mm	110 mm

1 kHz (Milliohm)

Test Fixtures for Milliohm Measurements (1 kHz)

Test Fixture	Frequency	Applicable Instrument
16338A	1 kHz	4338B

Applicable Instrument

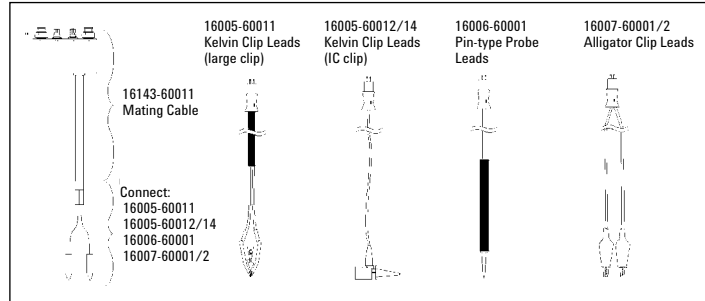
Frequency Range	Up to 110 MHz (Terminal Configuration: 4-Terminal Pair)	Up to 3 GHz (Terminal Configuration: 7 mm)
		
Measurement Instruments	4263B, 4268A, 4279A, 4284A, 4285A, 4288A, 4294A, E4980A, E4981A	4291B, 4294A + 42942A, 4395A w/Opt. 010 + 43961A, 4396B w/Opt. 010+ 43961A, 4287A, E4991A Any 4TP instruments (excluding 4294A) + 16085B
Frequency	DC (High Resistance Measurement)	1 kHz (Milliohm Measurement)
		
Measurement Instruments	4339B, 4349B	4338B

16338A Test Lead Kit



Terminal Connector: 4-Terminal, BNC
DUT Connection: 4-Terminal

Description: The 16338A contains four types of test leads and a mating cable, which are designed to operate with the 4338B. These test leads can be mixed or matched depending on the type of sample being measured. The test leads and mating cable are shown in the figure below:



Available test leads

Applicable Instruments: 4338B

Frequency: 1 kHz

Operating Temperature: 0°C to 55°C

Furnished Accessories:

Description	P/N	Qty.
Kelvin Clip Leads (large)	16005-60011	2
Kelvin Clip Leads (small, red)	16005-60012	1
Kelvin Clip Leads (small, black)	16005-60014	1
Pin-Type Probe Leads	16006-60001	2
Alligator Clip Lead (red)	16007-60001	1
Alligator Clip Lead (black)	16007-60002	1
Mating Cable	16143-60011	1
Carrying Case	16338-60001	1
Operation and Service Manual	16338-90000	1

Compensation and Measurement: Short compensation is recommended before measurement. When using the Kelvin Clip Leads (16005-60011) or the Kelvin IC Clip Leads (16005-60012/14), first connect the voltage terminals together and the current terminals together. Then, connect the two pairs of voltage and current terminals together. When using Kelvin Alligator Clip Leads (16007-60001/2), hold a shorting plate with the alligator clips. Make sure that the voltage leads (or black leads) are next to each other. Do not perform the short compensation when using the Pin-Type Probe Leads (16006-60001) since it is difficult to achieve effective short impedance.

16143-60011 Mating Cable



Terminal Connector: 4-Terminal, BNC
Cable Length (approx.): 60 cm
Weight (approx.): 220 g

16005-60011 Kelvin Clip Leads



DUT Connection: 4-Terminal
Cable Length (approx.): 40 cm
Weight (approx.): 40 g

16005-60012/14 Kelvin IC Clip Leads



Red Clip (16005-60012)



Black Clip (16005-60014)

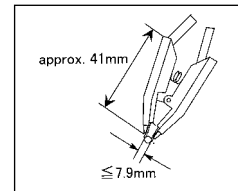
DUT Connection: 4-Terminal
Cable Length (approx.): 40 cm
Weight (approx.): 20 g

Description: The 16143-60001 is designed to operate specifically with the 4338B. It is used to connect any combination of two test lead types to the 4338B.

Applicable Test Leads: 16005-60011, 16005-60012/14, 16006-60001, 16007-60001/2

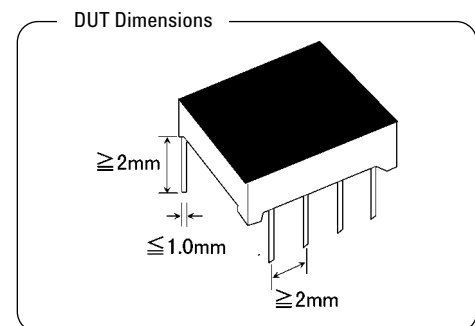
Description: The 16005-60011 is useful when measuring test devices that have large terminals. It incorporates the Four-Terminal (Kelvin) connection method for accurate low resistance measurements. The jaws of the 16005-60011 are a set of electrically independent contacts. The current terminal feeds the test current to the DUT while the voltage terminal detects the voltage across the DUT. Furthermore, the contact design assures accurate measurement down to the lowest resistance range.

DUT Size: See figure below



Description: The 16005-60012/14 is useful when measuring test devices that have thin leads. It incorporates the Four-Terminal (Kelvin) connection method for accurate low resistance measurements. The jaws of the 16005-60012/14 are a set of electrically independent contacts. The current terminal feeds the test current to the DUT while the voltage terminal detects the voltage across the DUT. Furthermore, the contact design assures accurate measurement down to the lowest resistance range.

DUT Size: See figure below



16006-60001 Pin-type Leads



Description: The 16006-60001 is designed for press-on contact measurements such as printed board conductivity or through-hole measurements. The probe tip is a voltage terminal and the outer conductor is a current terminal. The probe tip is spring-loaded, so that both terminals firmly contact the DUT.

DUT Connection: 4-Terminal
Cable Length (approx.): 40 cm
Weight (approx.): 15 g

16007-60001/2 Kelvin Alligator Clip Leads



Red clip (16007-60001)

Description: The 16007-60001/2 is designed for standard Four-Terminal measurements. Each pair of test leads has a separate alligator clip for voltage and current terminals. The 16007-60001 is furnished with red covers and the 16007-60002 is furnished with black covers.

DUT Size: lead diameter ≤ 4 mm



Black clip (16007-60002)

DUT Connection: 4-Terminal
Cable Length (approx.): 40 cm
Weight (approx.): 20 g

Other Accessories

16190B Performance Test Kit



Terminal Connector: 7 mm

Dimensions (approx.): 350(W) x 100(H) x 270(D) [mm]

Weight (approx.): 2.0 kg

Description: The 16190B is a performance test kit designed to verify the impedance measurement accuracy of LCR meters or impedance analyzers that have a 7 mm measurement terminal. Refer to the instrument's operation/service manual for the method of using these standards.

Applicable Instrument: E4991A, 4287A, 4291B*, 4294A + 42942A

* denotes the instrument is obsolete.

Furnished Accessories:

Description	P/N	Qty.
Airline, 50 Ω , 7 mm	N/A	1
Cap, Protection	1401-0123	2
50 Ω Termination	N/A	1
Open Termination	N/A	1
Short Termination	N/A	1
Cap, Termination Protection	16190-25011	3
Wrench, 1/2 and 8/15, Open End	8710-1770	1
Carrying Case	N/A	1
Floppy Diskette for Calibration Data	N/A	1
Calibration Report	N/A	1
Operating Note	16190-90020	1

Other Accessories

16380A Standard Capacitor Set



Terminal Connector: 4-Terminal Pair, BNC

Dimensions (approx.): 142(W) x 88(H) x 112(D) [mm]
(capacitors)

Weight (approx.): 8.0 kg (including case and 4 capacitors)

Description: The 16380A is a standard capacitor set consisting of four precision capacitors -1 pF (16381A), 10 pF (16382A) 100 pF (16383A), 1000 pF (16384A). These capacitors are primarily used for performance tests of Agilent's 4-Terminal Pair LCR meters and impedance analyzers. Refer to the instrument's operation/service manual for the method of using these standards.

Applicable Instrument: 4263B, 4268A, 4279A*, 4284A*, 4285A, 4288A, 4294A, E4980A, E4981A

* denotes the instrument is obsolete.

	16381A	16382A	16383A	16384A
Capacitance	1 pF	10 pF	100 pF	1000 pF
Nominal Accuracy	0.10 %			
Calibration Accuracy	0.01 %			
Calibration Stability	≤ 300 ppm/year			
Dissipation Factor	≤ 0.0001			

Furnished Accessories:

Description	P/N	Qty.
16381A (1 pF)	N/A	1
16382A (10 pF)	N/A	1
16383A (100 pF)	N/A	1
16384A (1000 pF)	N/A	1
BNC (f) -(f) Adapters	1250-0080	4
Calibration Report	N/A	1
Carrying Case	16380-85101	1
Operation and Service Manual	16380-90011	1

Other Accessories

16380C Standard Capacitor Set



Terminal Connector: 4-Terminal Pair, BNC

Dimensions (approx.): 142(W) x 88(H) x 112(D) [mm]
(capacitors)

Weight (approx.): 7.0 kg (including case and 3 capacitors)

Description: The 16380C is a standard capacitor set consisting of three precision capacitors -0.01 μF (16385A), 0.1 μF (16386A), and 1 μF (16387A). These capacitors are primarily used for performance tests of Agilent's 4-Terminal Pair LCR meters and impedance analyzers. Refer to the instrument's operation/service manual for the method of using these standards.

Applicable Instrument: 4263B, 4268A, 4284A*, 4288A, 4294A, E4980A, E4981A

* denotes the instrument is obsolete.

	16385A	16386A	16387A	16388A
Capacitance	0.01 μF	0.1 μF	1 μF	10 μF
Nominal Accuracy	0.10 %			0.05 %
Calibration Accuracy	0.01 %			
Calibration Stability	≤ 50 ppm/year			
Dissipation Factor	≤ 0.0004	≤ 0.0005	≤ 0.0007	≤ 0.0005

Furnished Accessories:

Description	P/N	Qty.
16385A (0.01 μF)	N/A	1
16386A (0.1 μF)	N/A	1
16387A (1 μF)	N/A	1
BNC (f) -(f) Adapters	1250-0080	4
Calibration Report	N/A	1
Carrying Case	16380-85104	1
Operating Note	16380-90221	1

Option:

16380C-001: Add 10 μF standard capacitor (16388A)

Other Accessories

42030A Four-Terminal Pair Standard Resistor Set



Terminal Connector: 4-Terminal Pair, BNC

Dimensions (approx.): 94(W) x 31(H) x 67(D) [mm] (resistors)

Weight (approx.): 3.7 kg (including case and 9 resistors)

Description: The 42030A is a standard resistor set consisting of nine precision resistor standards which range from 1 m Ω to 100 k Ω . These resistors are primarily used for performance tests of Agilent's 4-Terminal Pair LCR meters and impedance analyzers. Refer to the instrument's operation/service manual for the method of using these standards.

Applicable Instrument: 4263B, 4268A, 4284A*, 4294A, 4338B, E4980A, E4981A

* denotes the instrument is obsolete.

Model	DC Resistance
42031A	1 m Ω \pm 0.2%
42032A	10 m Ω \pm 0.2%
42033A	100 m Ω \pm 0.2%
42034A	1 Ω \pm 0.2%
42035A	10 Ω \pm 0.1%
42036A	100 Ω \pm 0.1%
42037A	1 k Ω \pm 0.1%
42038A	10 k Ω \pm 0.1%
42039A	100 k Ω \pm 0.1%

Furnished Accessories:

Description	P/N	Qty.
42031A (1 m Ω)	N/A	1
42032A (10 m Ω)	N/A	1
42033A (100 m Ω)	N/A	1
42034A (1 Ω)	N/A	1
42035A (10 Ω)	N/A	1
42036A (100 Ω)	N/A	1
42037A (1 k Ω)	N/A	1
42038A (10 k Ω)	N/A	1
42039A (100 k Ω)	N/A	1
Calibration Report	N/A	1
Carrying Case	42030-60100	1
Operation and Service Manual	42030-90001	1

Other Accessories

42090A Open Termination



Terminal Connector: 4-Terminal Pair, BNC

Dimensions (approx.): 94(W) x 31(H) x 67(D) [mm]

Weight (approx.): 120 g

Description: The 42090A is an open termination and is primarily used for performance tests of Agilent's 4-Terminal Pair LCR meters and impedance analyzers. Refer to the instrument's operation/service manual for the method of using this standard.

Applicable Instrument: 4263B, 4268A, 4279A*, 4284A*, 4285A, 4288A, 4294A, E4980A, E4981A

* denotes the instrument is obsolete.

42091A Short Termination



Terminal Connector: 4-Terminal Pair, BNC

Dimensions (approx.): 94(W) x 31(H) x 67(D) [mm]

Weight (approx.): 120 g

Description: The 42091A is a short termination and is primarily used for performance tests of Agilent's 4-Terminal Pair LCR meters and impedance analyzers. Refer to the instrument's operation/service manual for the method of using this standard.

Applicable Instrument: 4263B, 4268A, 4279A*, 4284A*, 4285A, 4294A, 4338B, E4980A, E4981A

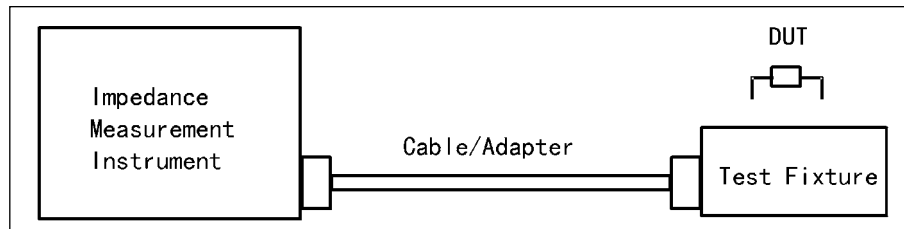
* denotes the instrument is obsolete.

The Concept of a Test Fixture's Additional Error

1. System Configuration for Impedance Measurement

Very often, the system configured for impedance measurements utilizes the following components (See figure below as well).

1. Impedance measurement instrument
2. Cables and adapter interfaces
3. Test Fixture



System configuration for impedance measurement

The Impedance measurement instrument's characteristic measurement accuracy is defined at the measurement port of the instrument. This means that the accuracy at the measurement port has traceability and the measurement values are guaranteed.

In an actual measurement, there can be an extension of the measurement port with a cable or an adapter conversion to match the test fixture's terminal configuration. For this reason, cables and conversion adapters are provided for connectivity with the measurement port. These cables (and adapters) are designed with the intent to maintain high accuracy of the measurement instrument while extending the measurement port. Most of the time, the measurement accuracy of the instrument and the cable (or adapter) are specified together as a whole.

A test fixture is an accessory used to connect the DUT to the measurement instrument. Many test fixtures are provided to adapt to various shapes and sizes. It is either connected directly to the measurement port of the instrument or to the port of the extension cable or conversion adapter as described earlier. Its structure determines the applicable frequency range and signal level. Hence, it is necessary to use the appropriate one for the corresponding measurement conditions. In addition, each test fixture has its own characteristic additional error, which is listed in its operational manual.

2. Measurement System Accuracy

The equation for the accuracy of a measurement system is shown below:

$$(\text{Measurement Accuracy}) = (\text{Instrument's Accuracy}) + (\text{Test Fixture's Additional Error})$$

The measurement instrument's accuracy is determined by an equation with terms, which are dependent on frequency, measured impedance and signal level. By substituting the respective measurement conditions into the equation, the measurement accuracy is calculated. If a cable or a conversion adapter is used, then the specified measurement accuracy is the accuracy of the measurement instrument with the cable or adapter. This combined measurement accuracy is shown in the instrument's operational manual.

The equation for the test fixture’s additional error is shown below:

$$Z_e = \pm \{ A + (Z_s/Z_x + Y_o \cdot Z_x) \times 100 \} (\%)$$

$$D_e = Z_e/100 (D \leq 0.1)$$

- Z_e : Additional Error for Impedance (%)
- D_e : Additional Error for Dissipation Factor
- A : Test Fixture’s Proportional Error (%)
- $Z_s/Z_x \times 100$: Short Offset Error (%)
- $Y_o \cdot Z_x \times 100$: Open Offset Error (%)
- Z_s : Test Fixture’s short Repeatability (Ω)
- Y_o : Test Fixture’s open Repeatability (S)
- Z_x : Measured Impedance Value of DUT(Ω)
- D : Measured D value

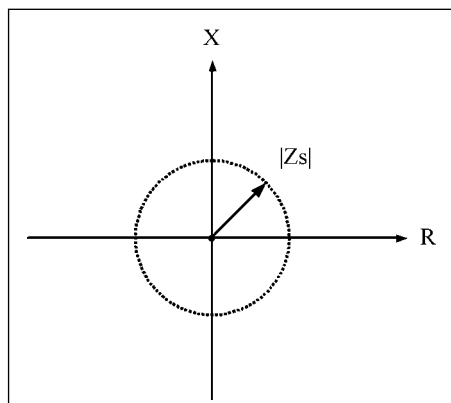
Proportional error, open and short repeatability are mentioned in the test fixture’s operational manual and in this accessory guide. By inputting the measurement impedance and frequency (proportional error, open and short repeatability are usually a function of frequency) into the above equation, the fixture’s additional error can be calculated.

Proportional Error:

The term, proportional error (A), was derived from the error factor, which causes the absolute impedance error to be proportional to the impedance being measured. If only the first term is taken out of the above equation and multiplied by Z_x , then $\Delta Z = A \cdot Z_x (\Omega)$. This means that the absolute value of the impedance error will always be A times the measured impedance. The largeness of proportional error is dependent upon how complicated the test fixture’s construction is. Conceptually, it is dependent upon the stability of each element of the fixture’s equivalent circuit model. From previous experience, proportional error is proportional to the frequency squared.

Short Offset Error:

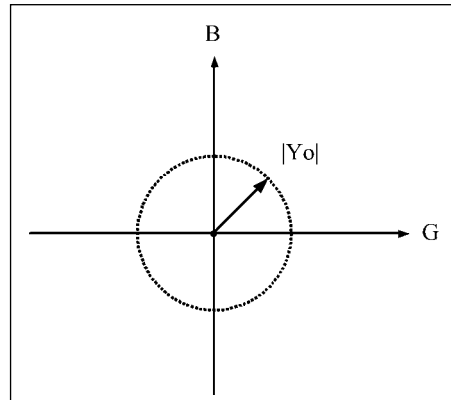
The term, $Z_s/Z_x \times 100$, is called short offset error. If Z_x is multiplied to this term, then $\Delta Z = Z_s (\Omega)$. It can be concluded that this term affects the absolute impedance error, by adding an offset. Short repeatability (Z_s) is determined from the variations in multiple measurements of the test fixture in short condition. After performing short compensation, the measured values of the short condition will distribute around 0 in the complex impedance plane. The maximum value of the impedance vector is defined as short repeatability. This is shown in the figure below. The larger short repeatability is the more difficult it is to measure small impedance values. For example, if the test fixture’s short repeatability is 100 m Ω , then the additional error of an impedance measurement under 100 m Ω will be more than 100%. In essence, short repeatability is made up of a resistance and an inductance part, which become larger as the frequency becomes higher.



Definition of short repeatability

Open Offset Error:

The term, $Y_o \bullet Z_x \times 100$ is called open offset error. If the same analysis is carried out with admittance, then it can be concluded that this term also affects the absolute admittance error, by adding an offset. Open repeatability (Y_o) is determined from the variations in multiple measurements of the test fixture in open condition. As shown in the figure below, the maximum value of the admittance vector in the complex admittance plane is defined as open repeatability. The larger open repeatability is, the more difficult it is to measure large impedance values. Open repeatability is made up of a resistance and a capacitance part, which become larger as the frequency becomes higher.

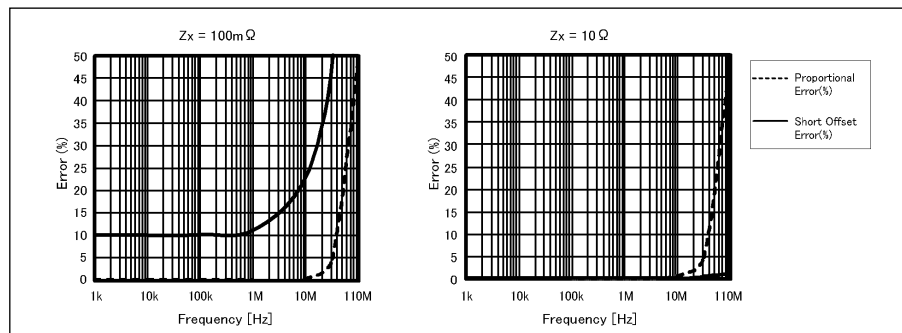


Definition of open repeatability

3. New Market Trends and the Additional Error for Test Fixtures**New Devices:**

Recently, the debut of extremely low ESR capacitors and the trend to use capacitors at much higher frequencies, have made low impedance measurements more strongly demanded than in the past. As a result, the test fixture's short repeatability has become increasingly important. In the figure below, the relationship between proportional error, short offset error and frequency are shown when measuring low impedance. Notice that when the measured impedance is less than 100 m Ω , short offset error influences the entirety of the test fixture's additional error. As shown in the figure below, when the DUT's impedance is 100 m Ω and the test fixture's short repeatability is 10 m Ω , the short offset error will be 10%. Since the proportional error is minimal in low frequencies, the additional error will be 10% as well.

For the additional error of test fixtures, up until now, it was common to just specify the proportional error (A). As shown in the 10 Ω measurement case (same figure down below), if the measured impedance is large in comparison to the test fixture's short repeatability, then short offset error can be ignored completely. This is the reason why open and short offset error was not specified previously. Test fixtures that are only specified with proportional error in this accessory guide are due to this reason. On the contrary, for measured impedance from 1 Ω to 10 k Ω proportional error (A) alone is sufficient to express the test fixture's additional error.

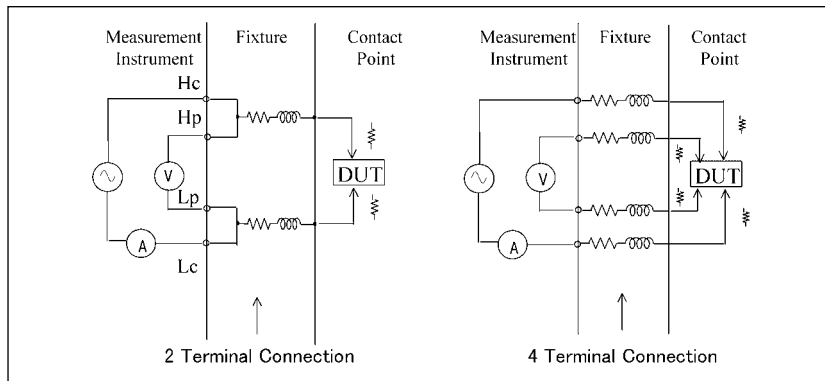


Relationship between proportional error, short offset error and frequency when measuring low impedance

Terminal Connector Method:

In order to make short repeatability small, there are test fixtures which utilize the 4-Terminal connector method (for example 16044A). By employing this technique, the effect of contact resistance is reduced and short repeatability is drastically improved. As a result, the range of accurate low impedance measurements is vastly expanded.

In the figure below, the difference between the 2-Terminal connector and the 4-Terminal connector is shown. In a 2-Terminal connector, the contact resistance, which exists between the fixture's contact and the DUT, is measured together with the DUT's impedance. Contact resistance cannot be eliminated by compensation because the value changes each time the DUT is contacted.



2-Terminal and 4-Terminal connector techniques

In a 4-Terminal connector, the voltage and current terminals are separate. Since the input impedance of the voltmeter is large, no current flows to the voltage terminals. Hence, the voltage that is applied across the DUT can be accurately detected without being affected by the contact resistance. Also, the current that flows through the DUT flows directly into the current terminal and is accurately detected without being affected by the contact resistance. Due to the reasons stated above, it is possible to eliminate the effect of contact resistance and realize a small short repeatability.

Test Fixture's Adaptability for a Particular Measurement:

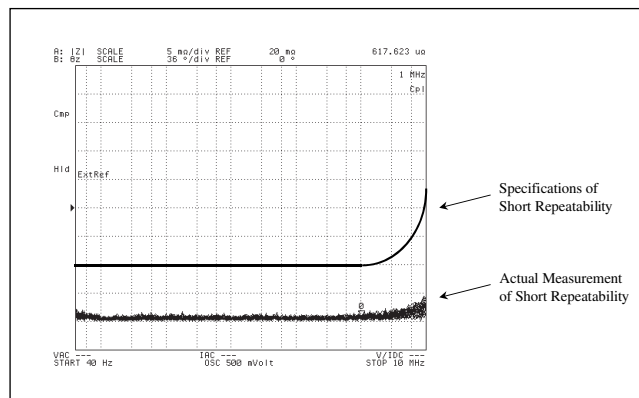
In order to make use of what has been discussed previously, the test fixture's adaptability for a particular measurement will be focused upon. To see whether a test fixture is adaptable, it is important to think about the test fixture's additional error (proportional error, short and open repeatability), measurement impedance and the test frequency range.

If the measurement impedance is in the 1 to 10 k Ω range, use only proportional error to calculate the additional error of the test fixture. It is fine to assume that this is a close approximation to the fixture's additional error.

If the measurement impedance is not in this range, use proportional error, short and open offset errors to calculate the test fixture's additional error. Recent test fixtures have all three terms specified in their operational manual, so use these values for the calculation.

Some of the recent test fixtures (e.g. 16044A), due to their structure, have different performance characteristics with different measurement instruments. For these test fixtures refer to their operational manual for more details about the specifications.

So, how are test fixtures, which are not specified with short and open repeatability, assessed whether they are adaptable or not? This assessment is made possible by using the following method to approximate short and open repeatability. To measure a test fixture's short repeatability, measure the impedance of the short condition after performing short compensation. Take the shorting plate out of the fixture and then insert it back in. Measure the short condition again. By repeating this process at least 50 times, it will show the variations in the short condition (See figure below). The final step to determine an approximation of short repeatability is to add a margin to the values obtained. For open repeatability, measure the admittance of the test fixture's open condition. In the same way, determine open repeatability by measuring at least 50 times.



Measurement of short repeatability (16034G)

Measurement Settings

Measurement Instrument : 4294A

Measurement Frequency : 40 Hz-10 MHz

Measurement Parameter : Z-θ

Compensation : Performed short Compensation

Bandwidth : 3

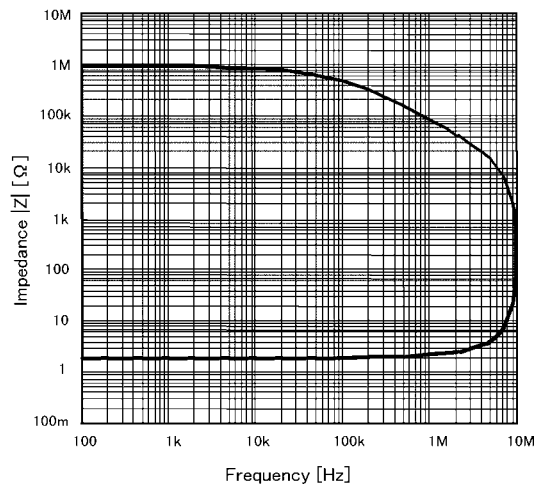
Measurement Method : Inserted the shorting plate, measured the short condition, and then removed the shorting plate. Repeated this for 50 times.

Display Method : Overlaying traces by using the Accumulate Mode

Lastly of all, a method to visually analyze the accurate measurement range of a test fixture is introduced. This method is only appropriate when all three error-terms (proportional error, open and short repeatability) are known. The table below shows the additional error of 16034G. The whole equation, with all three terms can be solved for measurement impedance rather than additional error, for example when additional error is equal to 0.5%. If the obtained impedance values are plotted with measurement impedance (y-axis) against frequency (x-axis), a graph similar to the one shown down below can be obtained. The shaded area shows the range of impedance that can be measured with an additional error better than 0.5%. In the same way, other graphs can be drawn with other additional error values to better visualize the accuracy that can be obtained for a given impedance and frequency range. The operational manuals of recent test fixtures present such graphs.

Additional Error of 16034G

Type of Error	Impedance
Proportional Error	$0.5 \times (f/10)^2$ [%]
Open Repeatability	$5 + 500 \times (f/10)$ [nS]
Short Repeatability	$10 + 13 \times (f/10)$ [mΩ]



Additional error ≤ 0.5%

Error Compensation

Agilent measurement instruments incorporate one of the following four types of error compensation functions to eliminate residual impedance effects in test fixtures:

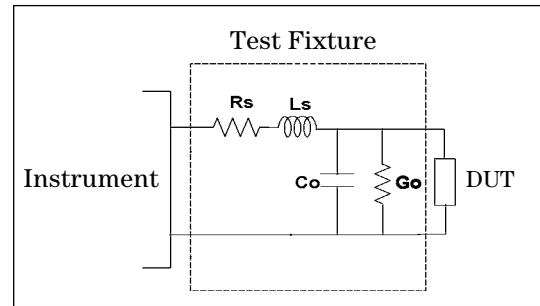
1. Open/short Compensation

For a simple measurement system, represented by the equivalent circuit model shown below, residual impedance values R_s and L_s and admittance values C_o and G_o can be corrected by:

- (i) Measuring open condition for the test fixture’s admittance.
- (ii) Measuring short condition for the test fixture’s impedance
- (iii) Measuring the test sample, then subtracting the admittance and impedance.

The above procedure is performed internally by the open/short compensation.

When the test fixture is directly connected to the measurement instrument, the open/short compensation sufficiently corrects the measurement error.



2. Open/short/load Compensation

When the measurement system is too complicated to be represented as the above equivalent circuit model, the open/short compensation cannot completely compensate for the residual impedance. In this case, the open/short/load compensation is used rather than the open/short compensation.

The open/short/load compensation is particularly effective when, for example, the 16065A is used with the measurement instrument.

The following table lists measurement instruments and available compensation functions.

Model	Open compensation	Short compensation	Load compensation	Load’s input parameters
4263B	●	●	●	Z-Q, R-X, Cp-D, Cp-Q, Cp-G, Cp-Rp, Cs-D, Cs-Q, Cs-Rs, Ls-D, Ls-Q, Ls-Rs
4268A	●	●	●	Cp-D, Cp-Q, Cp-G, Cp-Rp, Cs-D, Cs-Q, Cs-Rs
4279A*	●	●	●	Cp-D, Cp-G
4284A*	●	●	●	same as measurement parameters
4285A	●	●	●	same as measurement parameters
4287A	●	●	–	–
4288A	●	●	●	Cp-D, Cp-Q, Cp-G, Cp-Rp, Cs-Q, Cs-Rs
4291B*	●	●	●	Rs-Ls
4294A	●	●	●	Rs-Ls
4338B	–	●	–	–
4339B	●	–	–	–
4349B	●	–	–	–
E4980A	●	●	●	same as measurement parameters
E4981A	●	●	●	Cp-D, Cp-Q, Cp-G, Cp-Rp, Cs-D, Cs-Q, Cs-Rs
E4991A	●	●	–	–

–: N/A

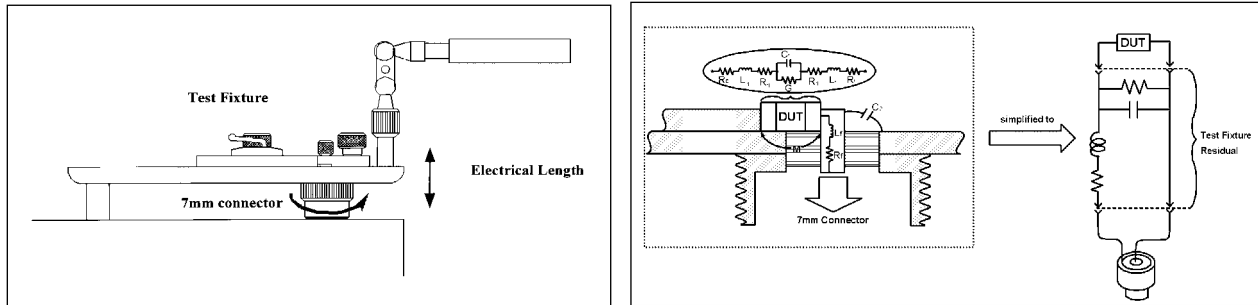
●: Available

*: denotes the instrument is obsolete.

Note: For more details of the compensation functions, refer to the instruction manuals supplied with the measurement instrument.

3. Electrical Length Compensation

In a single-port (Two-Terminal) impedance measurement at higher frequencies (RF region or higher), the wavelengths of the electrical signal are so short that the length of the signal transmission line including the test fixture and cables can cause an undesirable phase shift error. The phase shift error is corrected by the electrical length compensation, which should be performed in combination with the open/short compensation.



Electrical length of a test fixture

Residual parameters in the measuring circuit

The following measurement instruments are equipped with electrical length compensation function.

Model	Compensation Function
4287A	Electrical Length Compensation/Port Extension
4291B*	Electrical Length Compensation/Port Extension
4294A + 42942A	Electrical Length Compensation/Port Extension
4395A + Option 010 + 43961A	Electrical Length Compensation/Port Extension
4396B + Option 010 + 43961A	Electrical Length Compensation/Port Extension
E4991A	Electrical Length Compensation/Port Extension

* denotes the instrument is obsolete.

The electrical length is specified for the following test fixtures:

Model	Electrical Length
16092A	3.4 mm
16192A	11.0 mm
16194A	50.0 mm
16196A	26.2 mm
16196B	26.9 mm
16196C	27.1 mm
16196D	27.3 mm
16197A	14.0 mm
16093-65003	3.4 mm
16093-65004	3.4 mm
16094-65000	23.2 mm

4. Cable Length Compensation

When the test sample is measured with an instrument having a Four-Terminal Pair configuration, the additional length of the test-lead extension between the instrument and the test sample, in conjunction with the measurement frequency, influences the amplitude and phase of the signal being measured. This must be taken into account, particularly for measurements performed at frequencies of 100 kHz or higher, since the modification of the amplitude and phase of the signal can cause the internal measurement circuit to malfunction or create an unexpected measurement error. Such circuit malfunctions and measurement errors can be avoided with cable length compensation. Cable length compensation should therefore be performed prior to the open/short compensation.

When the following measurement instruments and test leads are used in combination, the undesired effects described above can be eliminated by performing the cable length compensation (the values in the table represent cable length settings):

Model	16048A	16048D	16048E	16048-60030	16048G	16048H
4263B	1 m	2 m	4m	1 m	–	–
4268A	1 m	2 m	–	1 m	–	–
4279A*	1 m	2 m	–	1 m	–	–
4284A*	1 m	2 m ¹	4 m ¹	1 m	–	–
4285A	1 m	2 m	–	–	–	–
4288A	1 m	2 m	–	1 m	–	–
4294A	–	–	–	–	1 m	2 m
E4980A	1 m	2 m	4 m	1 m	–	–
E4981A	1 m	2 m	–	1 m	–	–

–: N/A

¹: Available for 4284A with Option 006.

*: denotes the instrument is obsolete

Measurement Repeatability

Dirty electrodes on the test fixture cause an increase in the contact resistance. This increase in resistance can cause poor measurement repeatability. Therefore, the electrode of the test fixture must be kept clean when measurements are performed.

Index

Model Number	Name	Applicable Measurement Instrument (s)	Page (s)
16005-60011	Kelvin Clip Leads	4338B with 16143-60011	76
16005-60012/14	Kelvin IC Clip Leads	refer to 16005-60011	76
16006-60001	Pin-Type Leads	refer to 16005-60011	77
16007-60001/2	Alligator Clip Leads	refer to 16005-60011	77
16008B	Resistivity Cell	4339B	72-73
16034E	SMD/Chip Test Fixture	4263B, 4268A, 4279A, 4284A, 4285A, 4288A, 4294A, E4980A, E4981A	13
16034G	SMD/Chip Test Fixture, Small	refer to 16034E	14
16034H	SMD/Chip Test Fixture, General	refer to 16034E	15
16043-60011/12	3-Terminal SMD Test Fixture	refer to 16034E	19-20
16044A	SMD/Chip Test Fixture, Four-Terminal, 10 MHz	refer to 16034E	16-17
16047A	Axial and Radial Test Fixture	refer to 16034E	9
16047D	Axial and Radial Test Fixture	refer to 16034E	10
16047E	Axial and Radial Test Fixture, 110 MHz	refer to 16034E	11
16048A	One Meter Test Leads, BNC	4263B, 4268A, 4279A, 4284A, 4285A, 4288A, E4980A, E4981A	25
16048-60030	One Meter Test Leads, SMC	4263B, 4268A, 4279A, 4284A, 4285A, 4288A, E4980A, E4981A	25
16048D	Two Meter Test Leads, BNC	4263B, 4268A, 4279A, 4284A, 4285A, 4288A, E4980A, E4981A	26
16048E	Four Meter Test Leads, BNC	4263B, 4284A, E4980A	26
16048G	One Meter Test Leads, BNC, 110 MHz	4294A	27
16048H	Two Meter Test Leads, BNC, 110 MHz	4294A	27
16060A	Transformer Test Fixture	4263B w/Option 001	12
16065A	Ext. Voltage Bias with Safety Cover (≤ 200 vdc)	4263B, 4268A, 4279A, 4284A, 4285A, 4288A, 4294A, E4980A, E4981A	30

Index

Model Number	Name	Applicable Measurement Instrument (s)	Page (s)
16065C	External Bias Adapter (≤40 vdc)	4263B, 4268A, 4288A, E4981A	30
16085B	Four-Terminal Pair to 7 mm Adapter	4263B, 4268A, 4279A, 4284A, 4285A, 4288A, E4980A, E4981A	5
16089A/B /C/D/E	Kelvin Clip Leads	4263B, 4268A, 4284A, 4285A, 4288A, 4294A, E4980A, E4981A	22-24
16092A	RF Spring Clip : Axial, Radial and SMD	4263B, 4268A, 4279A, 4284A, 4285A, 4287A, 4288A, 4291B, 4294A + 42942A, 4396B (w/Option 010) + 43961A, 4395A (w/Option 010) + 43961A, E4980A, E4991A, E4981A	43
16093-65003	RF Two Terminal Binding Post	refer to 16092A	44
16093-65004	RF Three Terminal Binding Post	refer to 16092A	45
16094-65000	RF Probe Tip/Adapter	refer to 16092A	62
16117B	Low Noise Test Leads	4339B	70
16117C	Low Noise Test Leads	4339B	71
16117E	Low Noise Test Leads	4349B	71
16118A	SMD/Chip Tweezers	4339B	69
16143-60011	Mating Cable	4338B	76
16190B	Performance Test Kit	E4991A, 4291B, 4294A + 42942A	78
16192A	Parallel Electrode SMD Test Fixture	4263B, 4268A, 4279A, 4284A, 4285A, 4287A, 4288A, 4291B, 4294A + 42942A, 4396B (w/Option 010) + 43961A, 4395A (w/Option 010) + 43961A, E4980A, E4991A, E4981A	46-47
16194A	High Temperature Component Text Fixture	refer to 16192A	48-49
16196A/B/C/D	Parallel Electrode SMD Test Fixture	refer to 16192A	50-58
16197A	Bottom Electrode SMD Test Fixture	refer to 16192A	59-61

Index

Model Number	Name	Applicable Measurement Instrument (s)	Page (s)
16200B	External DC Bias Adapter	4279A, 4284A, 4285A, 4287A, 4288A, 4291B, 4396B w/Option 010 + 43961A, 4395A w/Option 010 + 43961A, E4980A, E4991A, E4981A	63
16314-60011	Four-Terminal Balun	4263B, 4268A, 4279A, 4284A, 4285A, 4288A, 4294A, E4980A, E4981A	28
16334A	SMD/Chip Tweezers	4263B, 4268A, 4279A, 4284A, 4285A, 4288A, 4294A, E4980A, E4981A	18
16338A	Test Lead Kit for 4338A/B	4338B	75
16339A	Component Test Fixture for 4339A/B	4339B	68
16380A	C Standards Set	4263B, 4268A, 4279A, 4284A, 4285A, 4288A, 4294A, E4980A, E4981A	79
16380C	C Standards Set	4263B, 4268A, 4284A, 4288A, 4294A, E4980A, E4981A	80
16451B	Dielectric Material Test Fixture	4263B, 4268A, 4279A, 4284A, 4285A, 4288A, 4294A, E4980A, E4981A	36-39
16452A	Liquid Test Fixture	4263B, 4284A, 4285A, 4294A, E4980A	40-41
16453A	Dielectric Material Test Fixture	4291B, E4991A	64
16454A	Magnetic Material Test Fixture	4291B, 4294A, E4991A	65-66
42030A	Four-Terminal Pair Standard Resistor Set	4263B, 4268A, 4284A, 4294A, 4338B, E4980A, E4981A	81
42090A	Open Termination	4263B, 4268A, 4279A, 4284A, 4285A, 4288A, 4294A, E4980A, E4981A	82
42091A	Short Termination	4263B, 4268A, 4279A, 4284A, 4285A, 4294A, 4338B, E4980A, E4981A	82
42841A	Bias Current Source	4284A w/Option 002, 4285A w/Option 002, E4980A w/Option 002	31
42842A/B	Bias Current 20A/40A Test Fixture	4284A w/Option 002, E4980A w/Option 002	32-33
42842C	Bias Current 10A Test Fixture	4285A w/Option 002	34
42843A	Bias Current Cable	4284A w/Option 002, E4980A w/Option 002	35
42851-61100	SMD Test Fixture	4285A w/Option 002	34
42941A	Impedance Probe Kit	4294A	29
42942A	Four-Terminal Pair to 7 mm	4294A	5

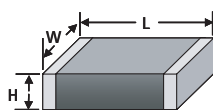
Index

Test Fixture Selection By SMD Size

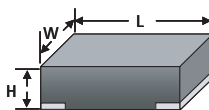
Classification	Test fixture type	Model number	Electrode type	Maximum usable frequency	● Applicable SMD size [code in mm / (EIA code in inch)] ⁹										Minimum L x W x H (mm)	Maximum L x W x H (mm)
					0402 / (01005)	0603 / (0201)	1005 / (0402)	1608 / (0603)	2012 / (0805)	3216 / (1206)	3225 / (1210)	4520 / (1808)	4532 / (1812)	5750 / (2220)		
LF, 4TP ^{*1}	SMD, General	16034E	Parallel	40 MHz				●	●	●	●	●	●	●	0.1 x 0.5 x 0.5	8 x 10 x 10
	SMD, General	16034G	Parallel	110 MHz		●	●	●	●	●					0.1 x 0.3 x 0.3	5 x 1.6 x 1.6
	SMD, General	16034H	Parallel	110 MHz				●	●	●	●	●	●		0.1 x 0.6 x 0.6	5 x 15 x 3
	SMD, Kelvin ^{*4}	16044A	Parallel	10 MHz				●	●	●	●	●	●	●	1.6 x 0.8 x 0.8	8 x 8 x 3
	SMD, Tweezers ^{*5}	16334A	Parallel	15 MHz				●	●	●	●	●	●	●	See Note 10	L ≤ 10
	3-terminal SMD ^{*6}	16043-60011	Bottom	110 MHz				No size codes							2.0 x 1.2 x 0.7	8.1 x 4.5 x 4
	3-terminal SMD ^{*6}	16043-60012	Bottom	110 MHz				No size codes							2.0 x 1.2 x 0.7	8.1 x 4.5 x 4
RF, 7 mm ^{*2}	SMD, Current bias ^{*7}	42851-61100	Parallel	30 MHz				●	●	●	●	●	●	●	0.1 x 0.5 x 0.5	8 x 10 x 10
	SMD / Lead ^{*8}	16092A	Parallel	500 MHz				●	●	●	●	●	●	●	See Note 11	L ≤ 18
	SMD, General	16192A	Parallel	2 GHz			●	●	●	●	●	●	●	●	L ≥ 1	L ≤ 20
	SMD / Lead ^{*8}	16194A	Bottom	2 GHz				●	●	●	●	●	●	●	L ≥ 2	L ≤ 15
	SMD, Coaxial	16196A	Parallel	3 GHz				●							1608 size only	
	SMD, Coaxial	16196B	Parallel	3 GHz			●								1005 size only	
	SMD, Coaxial	16196C	Parallel	3 GHz		●									0603 size only	
	SMD, Coaxial	16196D	Parallel	3 GHz	●										0402 size only	
	SMD, General	16197A	Bottom	3 GHz			●	●	●	●	●				1005 to 3225 sizes only	
DC, high R ^{*3}	SMD, General	16197A - 001	Bottom	3 GHz		●	●	●	●	●				0603 to 3225 sizes only		
	SMD, Tweezers ^{*5}	16118A	Parallel	DC				●	●	●	●	●	●	●	See Note 10	L ≤ 10
	SMD / Lead ^{*8}	16339A	Parallel	DC			●	●	●	●	●	●	●	●	0.1 x 0.5 x 0.5	8 x 10 x 10

Notes:

1. LF, 4TP denotes test fixtures for use with four-terminal pair type LCR meters and LF impedance analyzers in low frequency region (≤ 110 MHz).
2. RF, 7 mm denotes test fixtures for use with RF impedance measurement instruments which have 7 mm coaxial test port.
3. DC, high R denotes test fixtures for use with DC high resistance meter.
4. Four-terminal (Kelvin) contact test fixture suitable for measuring low impedance devices.
5. Tweezers type test fixture with 1 meter test leads.
6. Test fixture for measuring three-terminal type resonator and filter devices. Applicable SMD depends on the device's electrode configuration and dimensions.
7. Test fixture for use with the 42842C bias current test fixture. Attachable to the 42842C only.
8. Test fixture for measuring SMD and leaded components.
9. Check marks in the table denote the applicable DUT sizes.
10. Minimum SMD size is not specified. Not recommended for smaller SMD than 1608 type because contact repeatability degrades with the reduction of device size.
11. Applicable to SMD components with thickness ≥ 0.65 mm. Not suitable for smaller SMD than 1608 type.



Parallel electrode



Bottom electrode

Index

Accessories vs. Instruments Matrix

Simplify and Improve Your Measurements with Agilent's Test Accessories

Selecting a test fixture is as important as selecting the right instrument. Agilent offers a wide range of accessories for axial, radial, and SMD/Chip devices. In addition, a variety of test leads are available to simplify remote testing and systems applications. External test fixtures with safety covers are also available.

You will improve your measurement results with the proper test fixture.

- more reliable and repeatable measurement
- higher throughput
- fewer handling errors
- tighter test limits
- better measurement accuracy

For additional product information and literature, visit our Accessories Web site: www.agilent.com/find/accessories

Test accessories/fixtures

			4263B	4268A	4279A	4284A	4285A	4287A	4288A	4294A	4294A with 42942A	4395A w/Option 4395A-010 and 43961A	4396B w/Option 4396B-010 and 43961A	E4980A	E4981A	E4991A
16034E	SMD/chip test fixture	DC-40 MHz	•	•	•	•	•	•	•	•				•	•	
16034G	SMD/chip test fixture, small	DC-110 MHz	•	•	•	•	•	•	•	•				•	•	
16034H	SMD/chip test fixture, general	DC-110 MHz	•	•	•	•	•	•	•	•				•	•	
16043-60011/12	3-terminal SMD test fixture	DC-110 MHz	•	•	•	•	•	•	•	•				•	•	
16044A	SMD/chip test fixture, Kelvin contacts, 10 MHz	DC-10 MHz	•	•	•	•	•	•	•	•				•	•	
16047A	Axial and radial test fixture	DC-13 MHz	•	•	•	•	•	•	•	•				•	•	
16047D	Axial and radial test fixture	DC-40 MHz	•	•	•	•	•	•	•	•				•	•	
16047E	Axial and radial test fixture, 110MHz	DC-110 MHz	•	•	•	•	•	•	•	•				•	•	
16048A	One meter test leads, BNC	DC-30 MHz	•	•	•	•	•	•	•	•				•	•	
16048-60030	One meter test leads, SMC	DC-30 MHz	•	•	•	•	•	•	•	•				•	•	
16048D	Two meter test leads, BNC	DC-30 MHz	•	•	•	•	•	•	•	•				•	•	
16048E	Four meter test leads, BNC	DC-1 MHz	•											•		
16048G	One meter test leads, BNC, 110 MHz	DC-110 MHz							•							
16048H	Two meter test leads, BNC, 110 MHz	DC-110 MHz							•							
16060A	Transformer test fixture	DC-100 kHz	•													
16065A	Ext. voltage bias with safety cover (<=200 vdc)	50 Hz-2 MHz	•	•	•	•	•	•	•	•				•	•	
16065C	External bias adapter (<=40 vdc)	50 Hz-1 MHz	•	•					•						•	
16085B	Four-terminal pair to 7-mm adapter	DC-40 MHz	•	•	•	•	•	•	•					•	•	
16089A/B/C/D/E	Kelvin clip leads	5 Hz-100 kHz	•	•	•	•	•	•	•	•				•	•	
16092A	RF spring clip: axial, radial and SMD	DC-500 MHz	•1	•1	•1	•1	•1	•4	•1					•1	•1	•
16094-65000	RF probe tip/adapter	DC-125 MHz	•1,2	•1,2	•1,2	•1,2	•1,2	•2,4	•1,2	•2	•2	•2	•2	•1,2	•1,2	•2
16095A	LF impedance probe	DC-13 MHz	•3	•3	•3	•3	•3	•3	•3					•3	•1	
16192A	Parallel electrode SMD test fixture	DC-2 GHz	•1	•1	•1	•1	•1	•4	•1					•1	•1	•
16194A	High temperature component test fixture	DC-2 GHz	•1	•1	•1	•1	•1	•4	•1					•1	•1	•
16196A/B/C/D	Parallel electrode SMD test fixture	DC-3 GHz	•1	•1	•1	•1	•1	•4	•1					•1	•1	•
16197A	Bottom electrode SMD test fixture	DC-3 GHz	•1	•1	•1	•1	•1	•4	•1					•1	•1	•
16200B	External DC bias adapter	1 MHz-1 GHz					•4									•
16314-60011	4-terminal balun (50 Ω bal. to 50 Ω unbal.)	100 Hz-10 MHz	•	•	•	•	•	•	•	•				•	•	
16315-60011	One terminal (BNC) Balun (50 Ω bal. to 50 Ω unbal.)	100 Hz-10 MHz											•	•		
16316A	One terminal (BNC) Balun (100 Ω bal. to 50 Ω unbal.)	100 Hz-10 MHz											•	•		
16317A	One terminal (BNC) Balun (600 Ω bal. to 50 Ω unbal.)	100 Hz-3 MHz											•	•		
16334A	SMD/chip tweezer	DC-15 MHz	•	•	•	•	•	•	•	•				•	•	
16451B	Dielectric material test fixture	5 Hz-30 MHz	•	•	•	•	•	•	•	•				•	•	
16452A	Liquid test fixture	20 Hz-30 MHz				•	•		•					•		
16453A	Dielectric material test fixture	1 MHz-1 GHz														•
16454A	Magnetic material test fixture	1 kHz-1 GHz								•						•
42842A/B	High bias current 20 A/40 A test fixture	20 Hz-1 MHz				•								•		
42842C	High bias current 10 A test fixture	75 kHz-30 MHz					•									
42941A	Impedance probe kit	DC-110 MHz							•							
42942A	Four-terminal pair to 7-mm adapter	DC-110 MHz							•							

Note: Refer to the accessory descriptions for frequency and operational limits.

1. Compatible when used in conjunction with 16085B.
2. 7-mm cable is required
3. Do not connect the ground lead to the instrument
4. 3.5-mm (M) to 7-mm adapter is required

Complementary Products and Accessories

To help you find a complete solution, we have listed the following companies that make complementary products or specialized accessories for Agilent's impedance measurement products. Please contact each company directly if you are interested in its products. (Agilent does not make any special endorsement of these companies' products; this list is for reference only.)

Company Name	Product Specialty/Expertise	Web Site Address
Cascade Microtech, Inc.	RF and microwave probers and accessories for semiconductor and IC applications.	www.cascademicrotech.com/
Innovative Measurement Solutions (IMS)	Software and consulting for material analysis.	www.innovativemeasurements.com/
Inter-continental Microwave (ICM)	Automated device handling systems, RF and microwave test fixtures and non-coaxial calibration standard.	www.icmicrowave.com/
North Hills Signal Processing	Wide-band transformers (baluns) for balanced measurement.	www.northhills-sp.com/
Espec/ESPEC Corp. (America)	Temperature chamber for component and material testing.	www.espec.com/ www.espec.co.jp/english/
BH Electronics	Wideband transformers	www.bhelectronics.com/
Arumo Tech (Asia)	Custom test fixtures	www.arumotech.com/en/

Agilent Web Resources

LCR meters:

www.agilent.com/find/lcrmeters

Impedance Analyzers:

www.agilent.com/find/impedance

RF and microwave test accessories:

www.agilent.com/find/accessories

 **Agilent Email Updates**

www.agilent.com/find/emailupdates

Get the latest information on the products and applications you select.

 **Agilent Direct**

www.agilent.com/find/agilentdirect

Quickly choose and use your test equipment solutions with confidence.

 **Agilent Open**

www.agilent.com/find/open

Agilent Open simplifies the process of connecting and programming test systems to help engineers design, validate and manufacture electronic products. Agilent offers open connectivity for a broad range of system-ready instruments, open industry software, PC-standard I/O and global support, which are combined to more easily integrate test system development.



www.lxistandard.org

LXI is the LAN-based successor to GPIB, providing faster, more efficient connectivity. Agilent is a founding member of the LXI consortium.

Remove all doubt

Our repair and calibration services will get your equipment back to you, performing like new, when promised. You will get full value out of your Agilent equipment throughout its lifetime. Your equipment will be serviced by Agilent-trained technicians using the latest factory calibration procedures, automated repair diagnostics and genuine parts. You will always have the utmost confidence in your measurements.

Agilent offers a wide range of additional expert test and measurement services for your equipment, including initial start-up assistance onsite education and training, as well as design, system integration, and project management.

For more information on repair and calibration services, go to

www.agilent.com/find/removealldoubt

www.agilent.com

For more information on Agilent Technologies' products, applications or services, please contact your local Agilent office. The complete list is available at:

www.agilent.com/find/contactus

Americas

Canada	(877) 894-4414
Latin America	305 269 7500
United States	(800) 829-4444

Asia Pacific

Australia	1 800 629 485
China	800 810 0189
Hong Kong	800 938 693
India	1 800 112 929
Japan	0120 (421) 345
Korea	080 769 0800
Malaysia	1 800 888 848
Singapore	1 800 375 8100
Taiwan	0800 047 866
Thailand	1 800 226 008

Europe & Middle East

Austria	01 36027 71571
Belgium	32 (0)2 404 93 40
Denmark	45 70 13 15 15
Finland	358 (0)10 855 2100
France	0825 010 700*
	*0.125 €/minute
Germany	07031 464 6333
Ireland	1890 924 204
Israel	972-3-9288-504/544
Italy	39 02 92 60 8484
Netherlands	31 (0)20 547 2111
Spain	34 (91)631 3300
Sweden	0200-88 22 55
Switzerland	0800 80 53 53
United Kingdom	44 (0)118 9276201

Other European Countries:

www.agilent.com/find/contactus

Revised: October 6, 2008

Product specifications and descriptions in this document subject to change without notice.

© Agilent Technologies, Inc. 2001, 2005, 2006, 2007, 2008
Printed in USA, December 17, 2008
5965-4792E



Agilent Technologies