

# 7035



- Great fit for low frequency telecom test

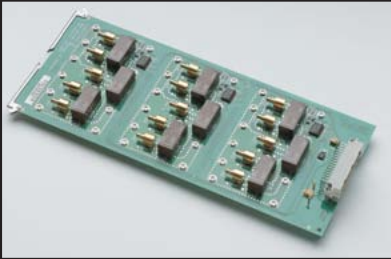
## Ordering Information

**7035 9 Bank 1×4 Multiplexer Switching Card**

### Accessories Supplied

**7011-KIT-R 96-pin Female Connector Kit**

# 7038



- DC to 2GHz, 75Ω, signal switching
- High channel to channel isolation
- Miniature SMB connectors

## Ordering Information

**7038 Three 1×4, 2GHz, 75Ω Multiplexer**

# 10MHz 1×4 Multiplexer Card

## 9 Independent 1×4 2-Pole Multiplexers

The Model 7035 9-Bank Multiplexer Card has nine 1×4 multiplexers. The switch contact configuration for each channel is 2-pole form A. The card's nine banks can be combined for a wide variety of switching configurations using external connections. This flexibility makes the Model 7035 well-suited for production testing of a variety of telecommunications products and systems and low power portable devices.

**MULTIPLEX CONFIGURATION:** 9 independent 1×4 2-pole multiplex banks.

**CONTACT CONFIGURATION:** 2-pole Form A (Hi, Lo).

**CONNECTOR TYPE:** 96-pin male DIN connector (7011-KIT-R mating connector included).

**MAXIMUM SIGNAL LEVEL:** 60V DC, 30V rms, 42V peak between any two inputs or chassis, 1A switched. 30VA (resistive load).

**CONTACT LIFE: Cold Switching:** 10<sup>8</sup> closures. At Maximum Signal Levels: 10<sup>5</sup> closures.

**CHANNEL RESISTANCE (per conductor):** <1Ω.

**CONTACT POTENTIAL:** <2μV per channel contact pair. <5μV typical per single contact.

**OFFSET CURRENT:** <100pA.

**ACTUATION TIME:** 3ms.

**ISOLATION:** **Bank:** >10°Ω, <25 pF.  
**Channel to Channel:** >10°Ω, <50 pF.  
**Differential:** >10°Ω, <100pF.  
**Common Mode:** >10°Ω, <200pF.

**CROSSTALK (1MHz, 50Ω Load):** **Bank:** <-40dB.  
**Channel:** <-40dB.

**INSERTION LOSS (50Ω Source, 50 Load):** <0.25dB below 1MHz, <3dB below 10MHz.

**RELAY DRIVE CURRENT (per relay):** 16mA.

## ACCESSORIES AVAILABLE

7011-KIT-R	96-pin Female Connector Kit
7035-MTC-2	96-pin Mass Terminated Cable, Female to Female, 2m
7011-MTR	96-pin Male Connector Kit

## SERVICES AVAILABLE

7035-3Y-EW	1-year factory warranty extended to 3 years from date of shipment
------------	---

# 2GHz RF Switch Card

## 3 Isolated 1×4 Multiplexers, 75Ω

The Model 7038 75Ω 2.0GHz Multiplexer Card is designed to speed testing and evaluation of a broad-range of telecommunications hardware, including coaxial cable-based equipment, cable television equipment, and high-speed Internet access products. The card simplifies automated switching of high-frequency RF signals, even those with bandwidths of up to 2GHz.

**CHARACTERISTIC IMPEDANCE:** 75Ω nominal.

**MULTIPLEXERS PER CARD:** 3 (with isolated ground).

**CHANNELS PER MULTIPLEXER:** 4.

**CONTACT CONFIGURATION:** 1-pole, 1 of 4 tree. Channels 1, 5, and 9 normally closed.

**RELAY DRIVE CURRENT:** 154mA per channel.

**CONNECTOR TYPE:** 75Ω miniature SMB receptacle.

**ACTUATION TIME:** 6ms.

**MAXIMUM VOLTAGE:** Any terminal (center or shield) to any other terminal or chassis: 24V.

**MAXIMUM CURRENT:** 10mA DC.

**MAXIMUM POWER:** 10W @ 1.2GHz.

**ISOLATION: Multiplexer to Multiplexer:** >1GΩ. **Center to Shield:** >1GΩ, 60pF. **Channel to Channel:** >100MΩ.

**SIGNAL DELAY:** <1ns.

**CONTACT POTENTIAL:** 15μV.

**CONTACT LIFE:** 3×10<sup>5</sup> closures @ 24VDC, 10mA DC; 1×10<sup>5</sup> closures @ 10W, 1.2GHz signal; 5×10<sup>8</sup> closures @ cold switching.

**CONTACT RESISTANCE:** <1Ω.

**AC PERFORMANCE:**

For $Z_L = Z_S = 75\Omega$	<10 MHz	≤100 MHz	≤500 MHz	≤900 MHz	≤2 GHz
<b>Insertion Loss (dB)</b>	<0.25	<0.5	<1.0	<1.5	<3.0
<b>Crosstalk (dB)</b>					
Channel-to-channel	<-90	<-80	<-65	<-55	<-40
Mux. to Mux.	<-90	<-80	<-70	<-60	<-55
<b>VSWR</b>	<1.2	<1.25	<1.5	<1.5	<2.2

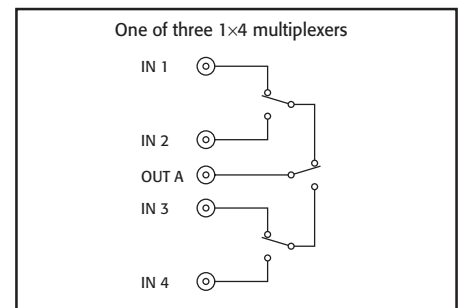
**ENVIRONMENT: Operating:** 0° to 50°C, up to 35°C at <80% RH. **Storage:** -25°C to 65°C.

**EMC:** Conforms to European Union Directive 89/336/EEC.

**SAFETY:** Conforms to European Union Directive 73/23/EEC (meets EN61010-1/IEC 1010).

## SERVICES AVAILABLE

7038-3Y-EW	1-year factory warranty extended to 3 years from date of shipment
------------	---



1.888.KEITHLEY (U.S. only)

www.keithley.com

KEITHLEY

A GREATER MEASURE OF CONFIDENCE