

Power Dividers and Hybrids

Adapters Attenuators Couplers

DC
Blocks

Detectors

Isolators &
Circulators

Phase
Shifters

**Power Dividers and
Hybrids**

Terminations (50 Ohm
Loads)

Waveguide

90-Degree SMA (F) .5 to 8 GHz 30 Watt (Multi-Octave)



Features

- Excellent Phase Balance
- 500 MHz to 8 GHz Range
- High Isolation
- Low Insertion Loss
- SMA Connectors
- Designed for MIL Environments

Models

- 4358

Model	4358
Low Frequency (GHz)	0.5
High Frequency (GHz)	8.0
Nominal Coupling (dB)	3
VSWR (max)	1.5:1
Insertion Loss dB (max)	1.2
Isolation dB (min)	15
Amplitude Balance (max dB)	+/- .75
Phase Balance (Max in Deg.)	12
Average Power (W)	30
Peak Power (Kw)	3
Maximum Weight (oz)	8.0
Maximum Weight (gr)	227
Special Notes:	A , B

Special Notes:
A: *Special-order unit. Minimum quantity may apply.
B: NOTE: Custom order models are available upon request. Consult the factory.

Power Dividers and Hybrids

Adapters Attenuators Couplers

DC Blocks

Detectors

Isolators & Circulators

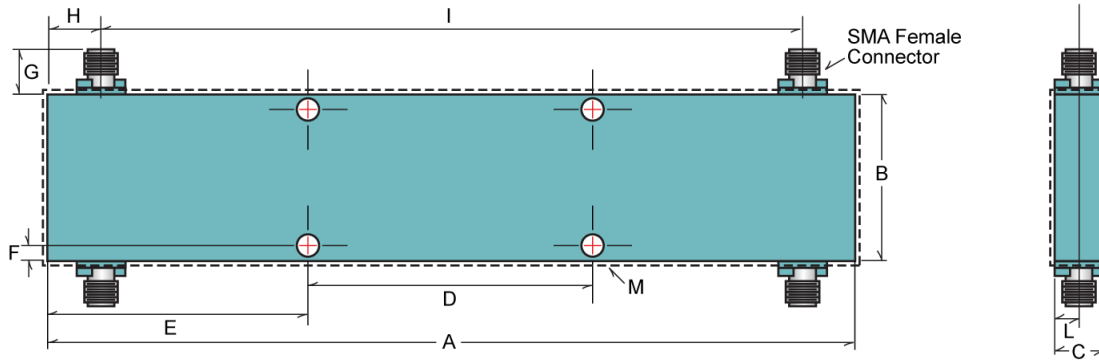
Phase Shifters

Power Dividers and Hybrids

Terminations (50 Ohm Loads)

Waveguide

90-Degree SMA (F) .5 to 8 GHz 30 Watt (Multi-Octave)



Outline Drawings For Models : 4358

Units	A	B	C	D	E	F	G	H	I	L	M (Dia.)
4358											
in.	7.00	1.50	0.40	2.50	2.25	1.182	0.37	0.45	6.10	0.20	0.157
mm	177.80	38.10	10.16	63.50	57.15	30.023	9.40	11.43	154.94	5.08	3.988

Notes:

Dimensions are nominal and for reference only. Allow .020 for sealant build up per surface. Contact the factory for detailed specifications and outline drawing.