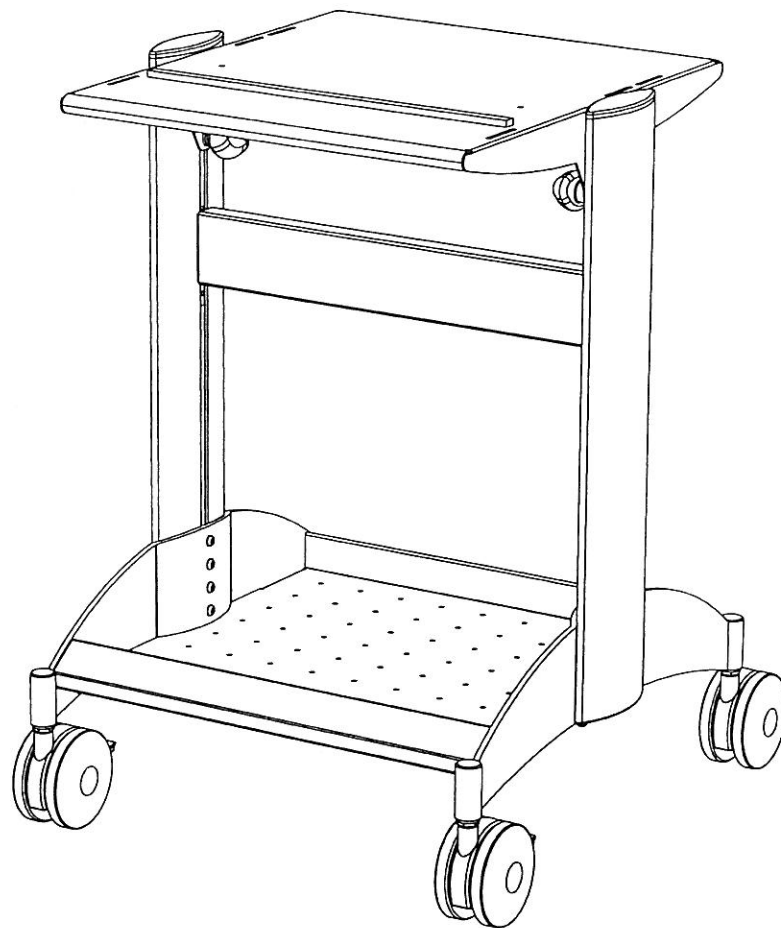


LeCroy

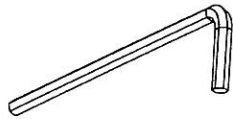
OC1021 Instrument Cart



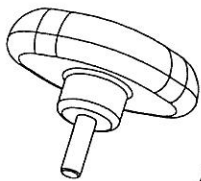
Assembly Instructions and User's Manual



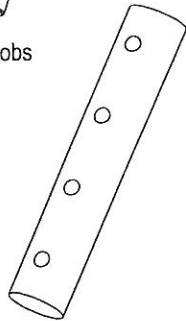
Small Hex Wrench (1/8)



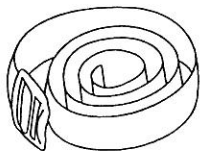
Large Hex Wrench (5/32)



2 Knobs



6 Rods



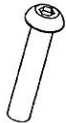
2 Straps



4 Set Screws



2 Wing Nuts



2 Long Screws



14 Short Screws



4 Small Screws



2 Shoulder Screws



6 Plastic Washers



16 Large Lock Washers



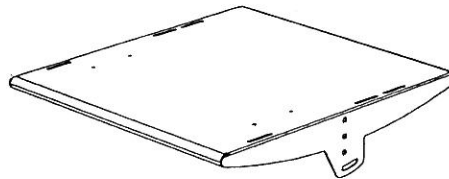
2 Metal Washers



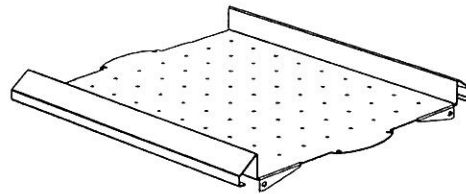
4 Small Lock Washers



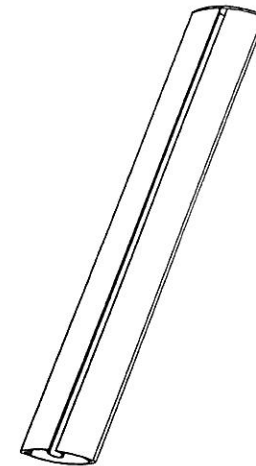
1 Retaining Bar



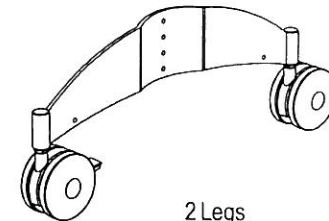
1 Top Shelf



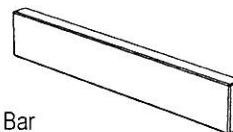
1 Bottom Tray



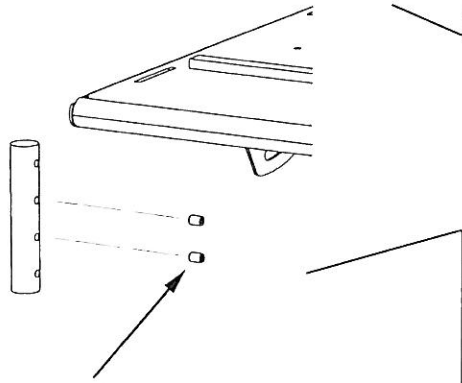
2 Posts



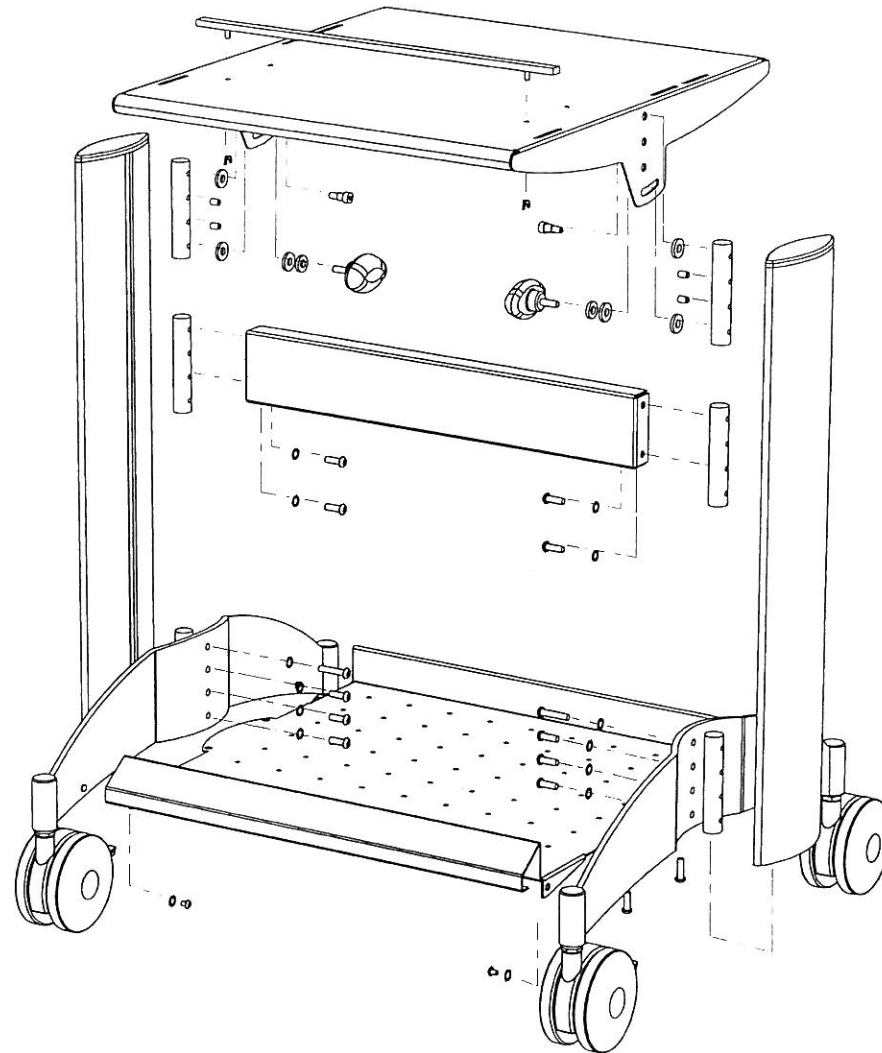
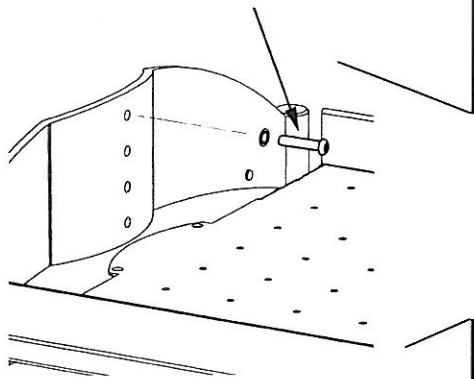
2 Legs



1 Support Bar



Note: Correct installation of Set Screw and Long Screw necessary for proper performance of cart.



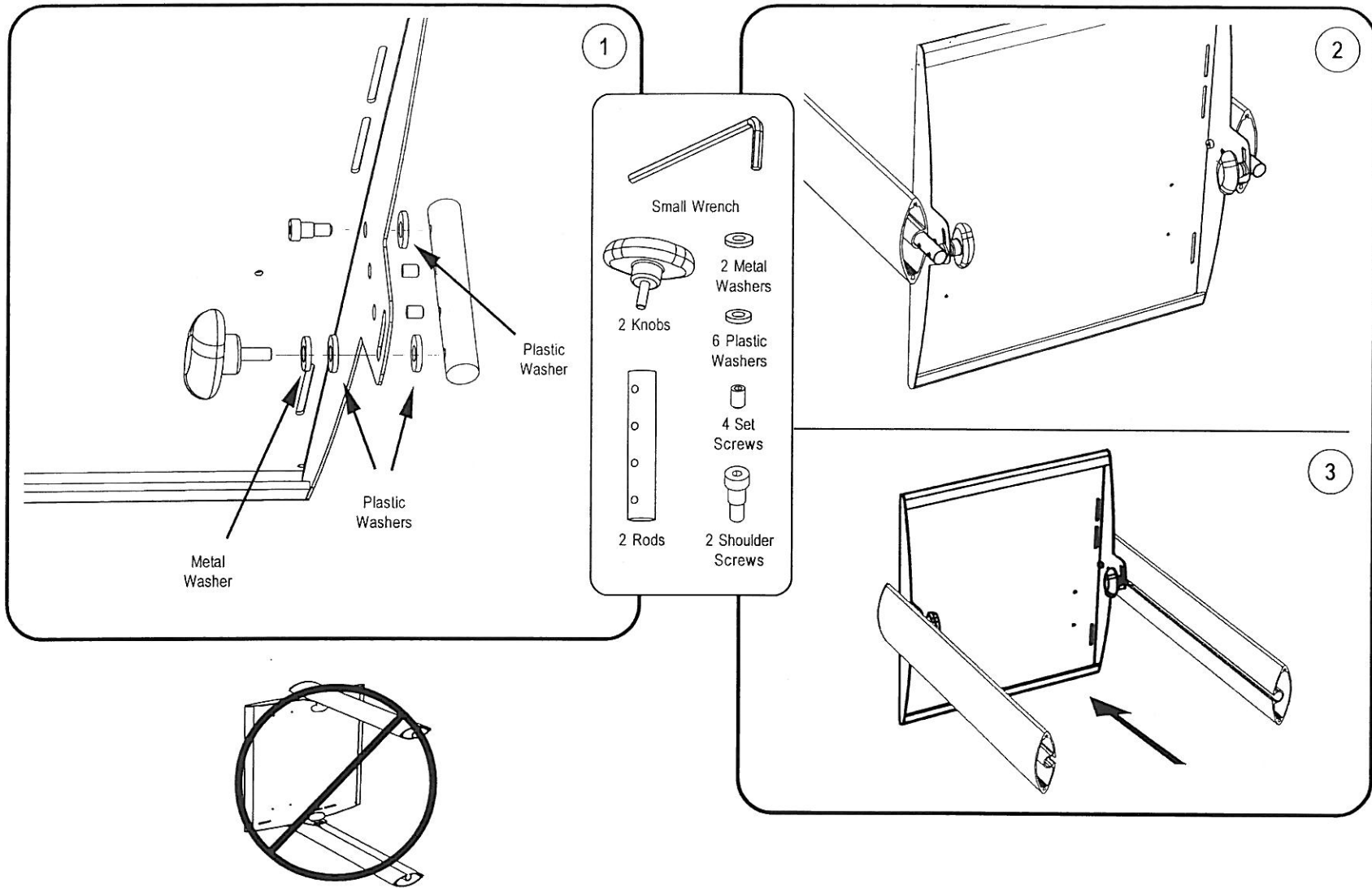


Illustration 1: Loosely preassemble 2 Rods and all Shoulder Screws, Knobs, Plastic Washers, and Metal Washers to the Top Shelf using the placement as shown. Use the small wrench to insert the Set Screws into the Rod through the Top Shelf.

Illustration 2 and 3: Slide the assembly to the end of the Posts and tighten the knobs.

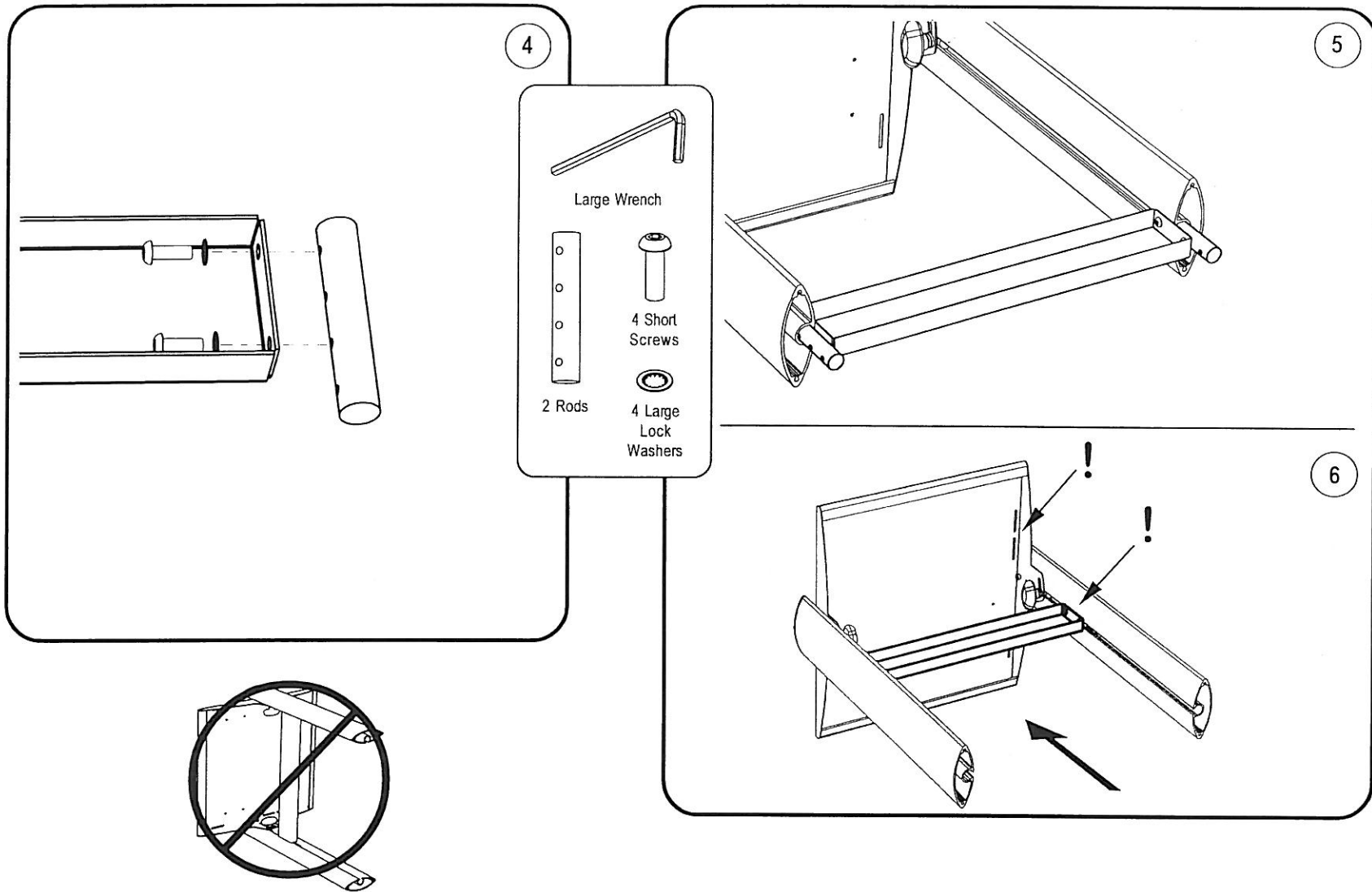


Illustration 4: Loosely preassemble the Support Bar, Short Screws, Rods and Large Lock Washers as shown.

Illustration 5 and 6: Orientate the Support Bar to the Top Shelf using the two slots as shown, and slide it a few inches below the Top Shelf. Lightly tighten screws.

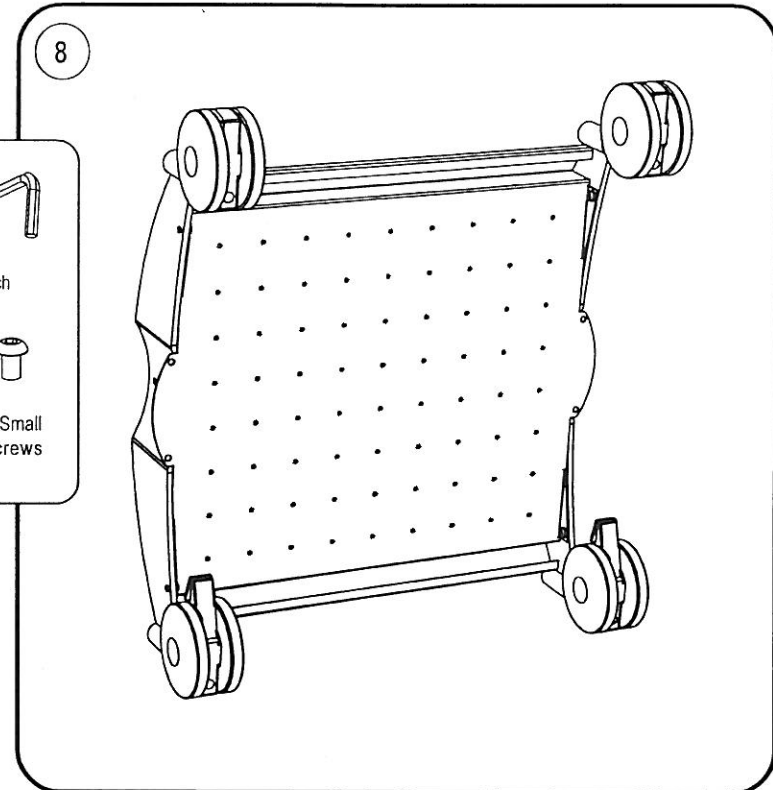
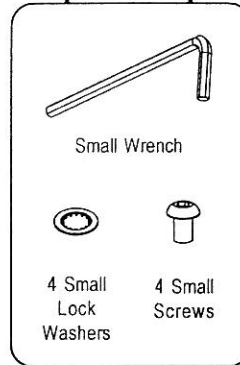
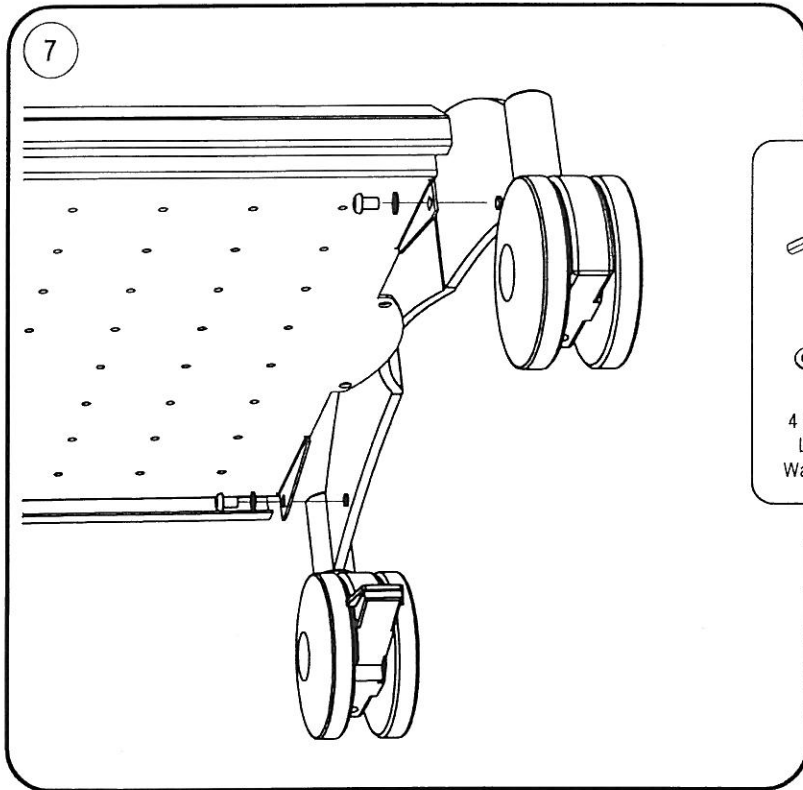


Illustration 7 and 8: Firmly tighten the Leg to the Bottom Tray with the Small Screws and Small Lock Washers as shown.

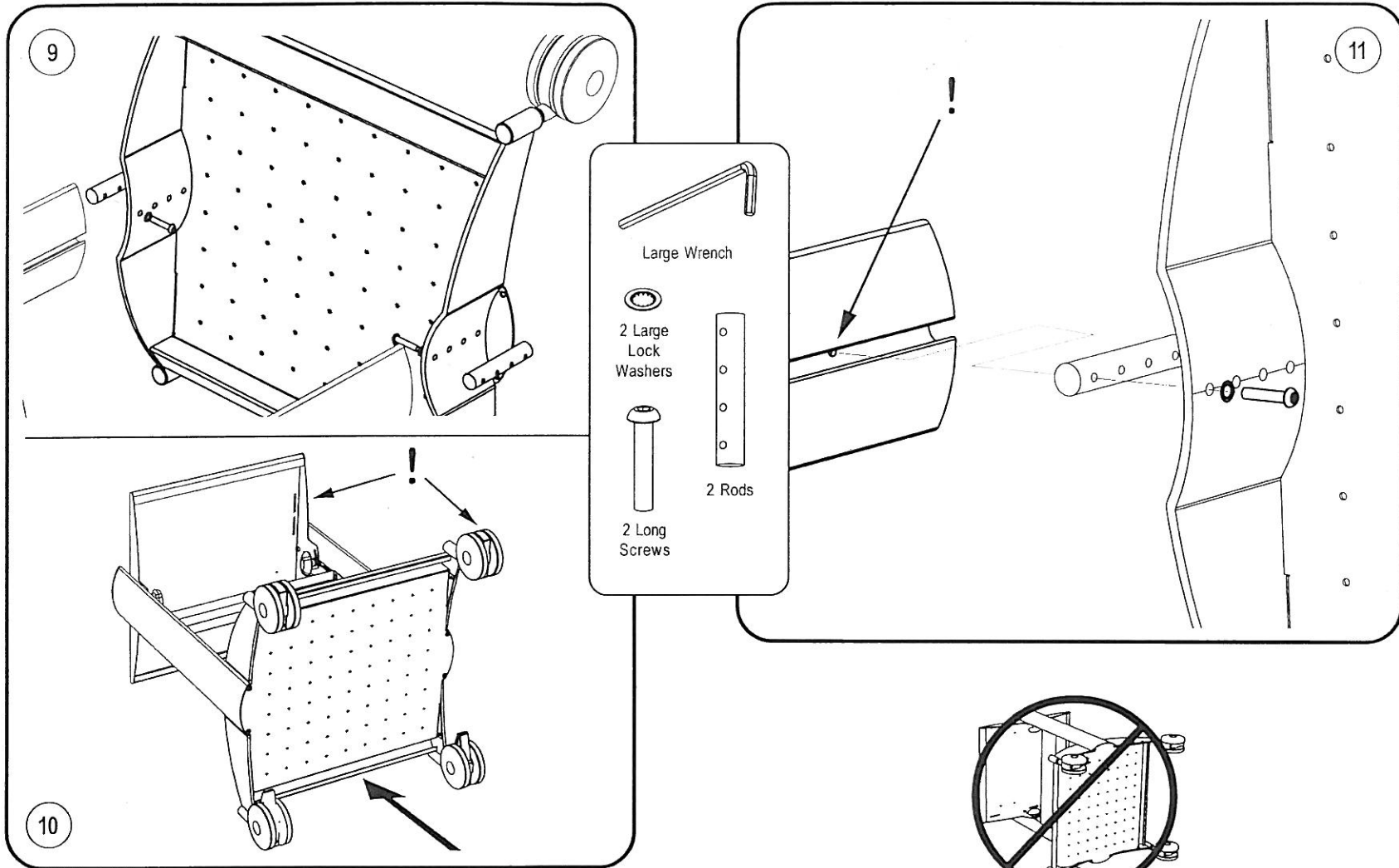


Illustration 9: Loosely preassemble the two Long Screws and two Rods with Large Lock Washers to the Legs.

Illustration 10: Orient the nonlocking caster and the slots in the Top Shelf and slide the Base Assembly onto the Posts.

Illustration 11: Fit the Long Screws into the mating hole inside the Posts, lightly tighten the screw ensuring it has correctly engaged the hole.

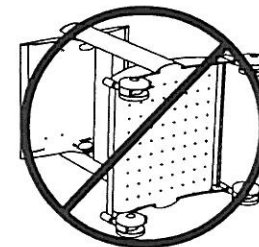
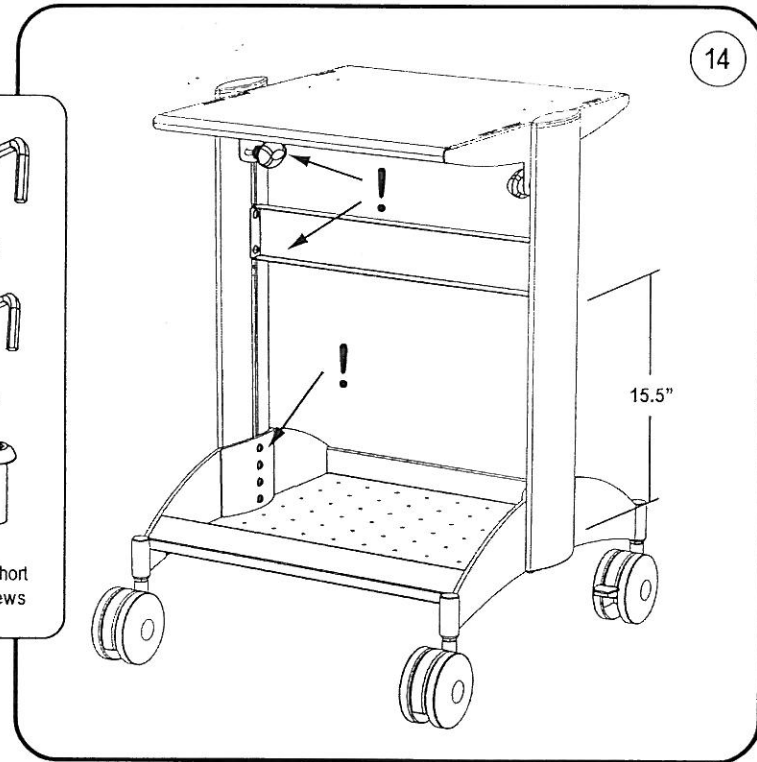
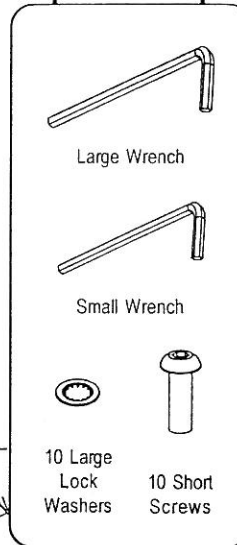
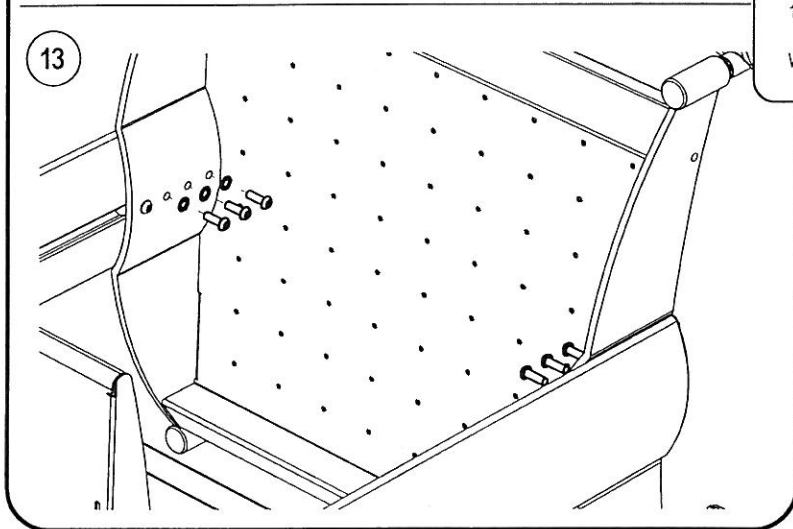
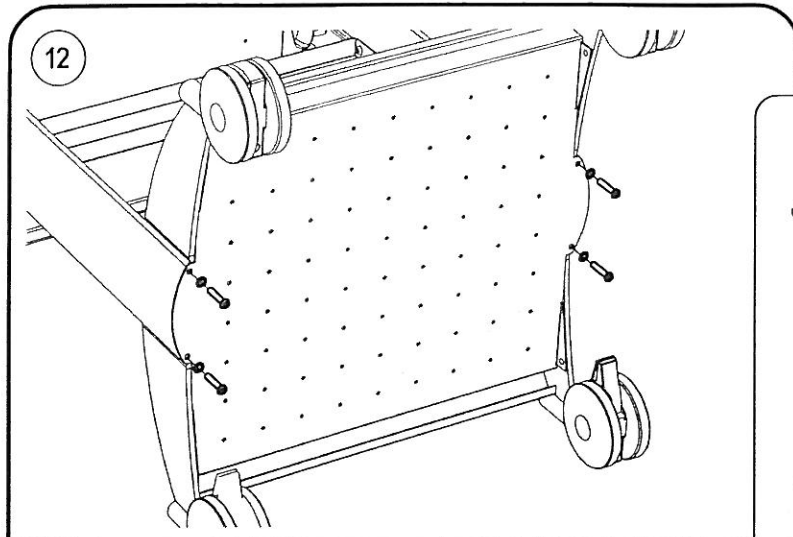


Illustration 12: Firmly tighten the 4 Short Screws and Large Lock Washers into the Bottom Tray as shown.

Illustration 13: Firmly tighten the 6 Short Screws and Large Lock Washers into the Legs as shown.

Illustration 14: Carefully stand the cart upright as it will sway somewhat. Adjust the Support Bar so that the bottom is 15.5" from the Bottom Tray, ensure that the cart is vertical, then firmly tighten the screws on the Support Bar. Adjust the Top Shelf to the top of the Posts, firmly tighten the 4 Set Screws, Knobs, Shoulder Screws, and the 2 Long Screws in the Legs.

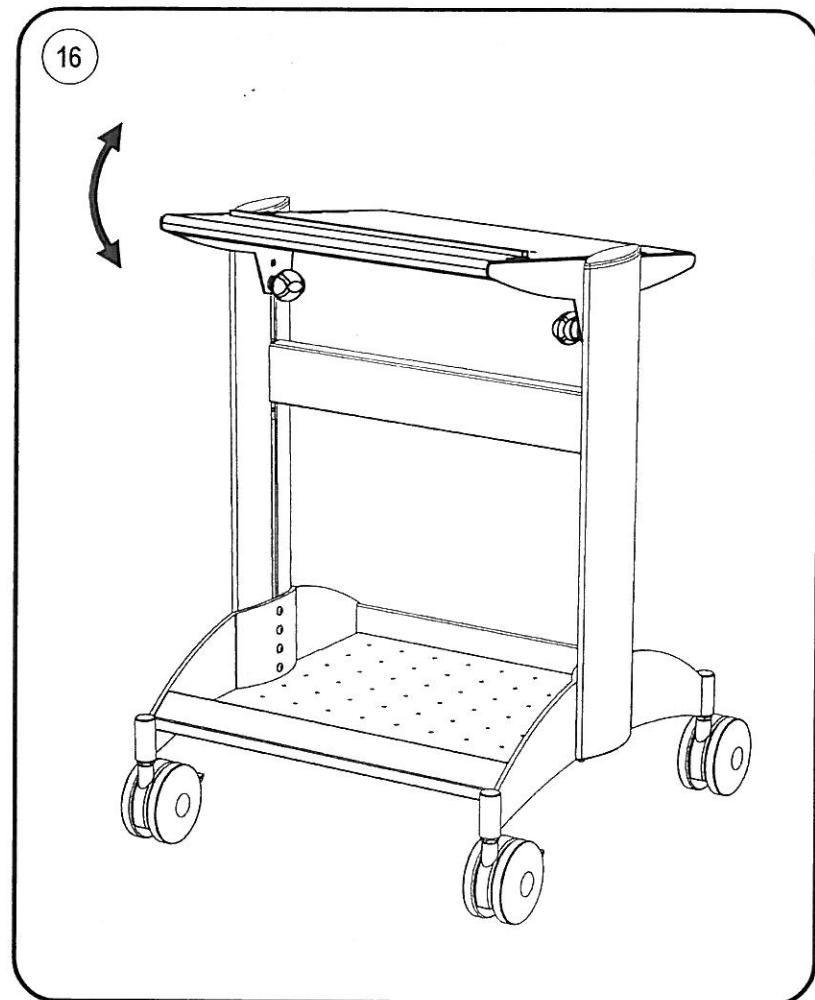
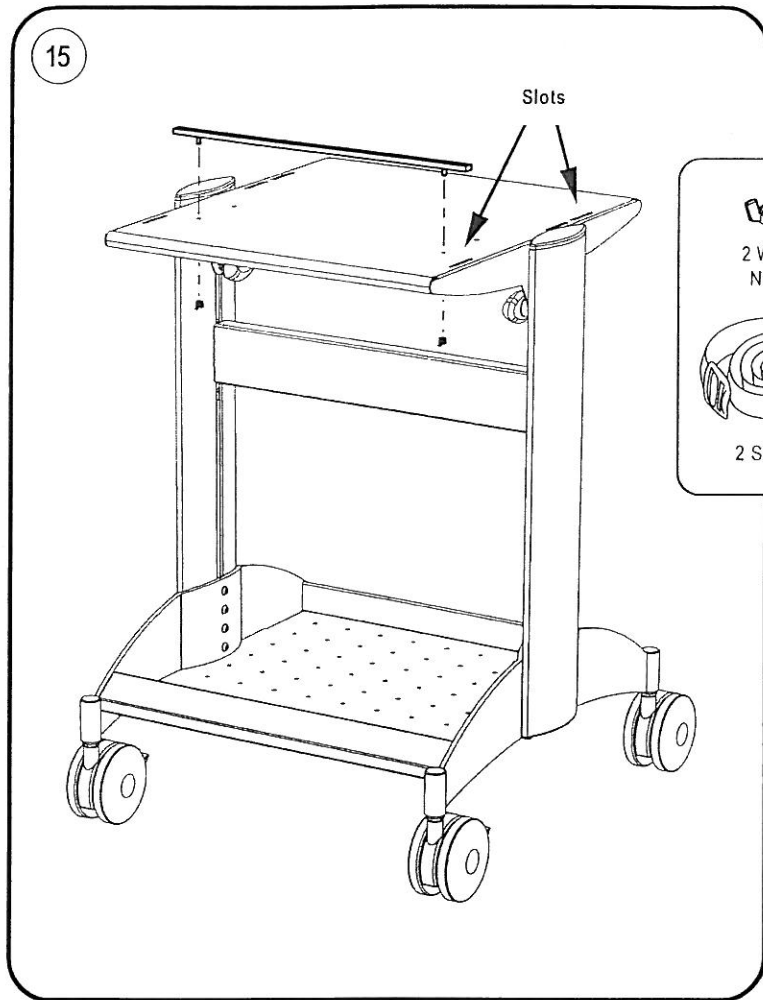


Illustration 15: The Retaining Bar attaches to the Top Shelf in one of two places. Measure the scope from the front to the front most feet and Firmly tighten the bar in the appropriate position with the Wing Nuts. Strap the scope to the cart using the front most slot and one of the two rearmost slots on the Top Shelf.

Illustration 16: Loosen the Knobs, tilt the Top Shelf to the desired position, and then tighten the Knobs to secure the Top Shelf.