

# Wideband Amplifier

50 Ohm      20-1000 MHz

# SWPA-00210-1

## Features

- : High power, 30.0 dBm typ.
- : High IP3, 46.0 dBm typ.
- : Rugged shielded case
- : Low cost
- : Gold/Clear Alodine Finish per MIL-C-5541
- : Input Voltage 12-32 Vdc



Case Style      A109

Connector	Model	Price
SMA	SWPA-00210-1	\$295.00

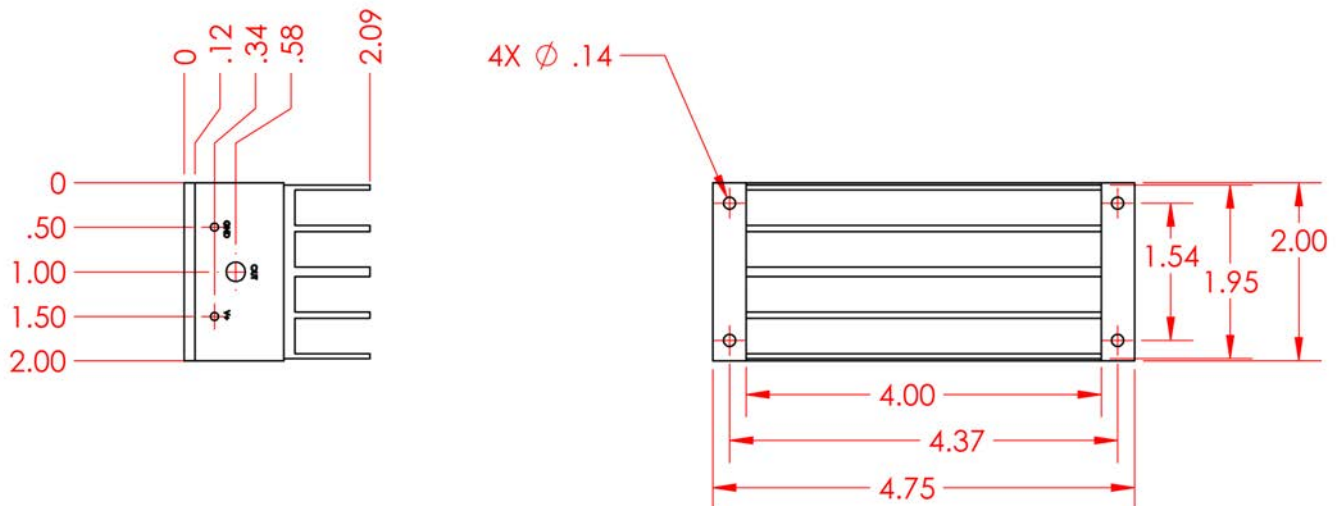
## Electrical Specifications at Ambient (25 °C)

Model No.	Frequency (MHz)		Noise Figure (dB)	Gain (dB)	Output Power (dBm)	Intercept Point (dBm)	VSWR (:1)		DC Power	
	F <sub>Low</sub>	F <sub>High</sub>	Typ	Typ	Output (1db comp.) Typ.	IP3 Typ	In	Out	Volt (V) Nom.	Current (mA) Max
SWPA-00210-1	20	1000	4.0	21.5	30.0	46.0	2.0	2.0	12-32	650

## Maximum Ratings

Operating Temperature	-20°C - +75°C
Storage Temperature	-40°C - +100°C
DC Voltage	+36.0 VDC
Input Power (no damage)	+13 dBm

## Outline Drawing (inches)



# Typical Performance Data/Curves

# SWPA-00210-1

Frequency (MHz)	Gain (dB)	VSWR		NF (dB)	P1dB (dBm)
		I/P (:1)	O/P (:1)		
20	21.4	1.50	1.53	3.7	29.8
160	21.5	1.63	1.65	3.6	29.3
300	21.4	1.88	1.92	3.4	28.6
440	21.8	1.62	1.59	3.5	30.9
580	22.3	1.46	1.54	3.8	31.4
720	22.7	1.38	1.26	3.9	30.1
860	22.9	1.16	1.11	4.3	30.5
1000	22.6	1.26	1.57	4.8	29.2

