

# Wideband Amplifier

50 Ohm      20 - 1000 MHz

# SWPA-00210-20

## Features

- : High power, 43.0 dBm typ.
- : High IP3, 53.0 dBm typ.
- : Rugged shielded case

Case Style      A202

- : Gold/Clear Alodine Finish per MIL-C-5541



Connector	Model
SMA	SWPA-00210-20

## Electrical Specifications at Ambient (25 °C)

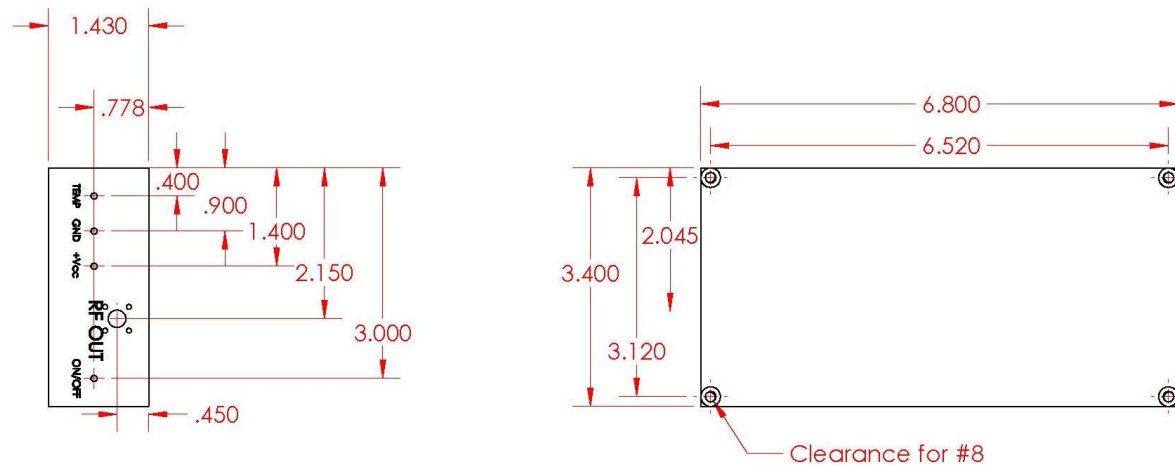
Model No.	Frequency (MHz)		Noise Figure (dB)	Gain (dB)	Output Power (dBm)	Intercept Point (dBm)	VSWR (:1)		DC Power	
	F <sub>Low</sub>	F <sub>High</sub>	Typ.	Typ	Output (1db comp.) Typ.	IP3 Typ	In	Out	Volt (V) Nom.	Current (mA) Max
SWPA-00210-20	20	1000	8.0	41.0	43.0	53.0	1.5	2.0	28	2000

**Note:** Minimum 43.0 dBm Saturated Power Out

## Maximum Ratings

Operating Temperature	-40°C - +65°C
Storage Temperature	-55°C - +100°C
DC Voltage	+28.0 VDC
Input Power (no damage)	+10 dBm

## Outline Drawing (inches)



## Spanawave Corp

1640 Lead Hill Blvd. Ste 130, Roseville, California +1 866-202-9262 www.spanawave.com

# Typical Performance Data/Curves

## SWPA-00210-20

Frequency (MHz)	Gain (dB)	VSWR I/P (:1)	VSWR O/P (:1)	NF (dB)	P1dB (dBm)
20	40.60	1.48	1.46	9.70	43.80
160	41.10	1.38	1.37	7.00	44.50
300	41.60	1.48	1.76	7.30	44.30
440	41.90	1.49	1.54	6.90	44.30
580	41.80	1.29	1.08	6.90	43.50
720	40.50	1.27	1.68	7.10	42.20
860	40.20	1.48	2.01	7.20	42.00
1000	40.30	1.55	1.56	7.30	41.80

