

Wideband Amplifier

50 Ohm 20-1000 MHz

Features

- : High power, 35.0 dBm typ.
- : High IP3, 41.0 dBm typ.
- : Rugged shielded case
- : Low cost
- : Gold/Clear Alodine Finish per MIL-C-5541
- : Input Voltage 12-32 Vdc



Case Style A109

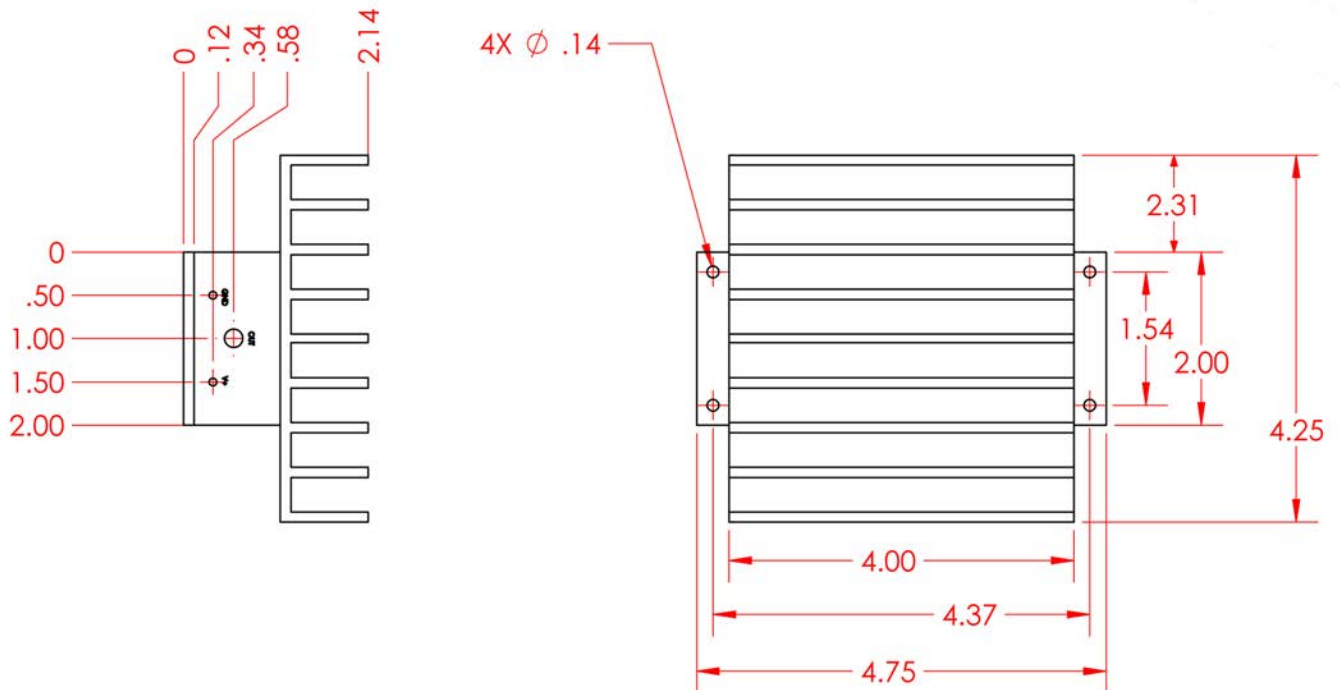
Connector	Model	Price
SMA	SWPA-00210-4	\$435.00

Electrical Specifications at Ambient (25 °C)

Model No.	Frequency (MHz)		Noise Figure (dB)	Gain (dB)	Output Power (dBm)	Intercept Point (dBm)	VSWR (:1)		DC Power	
	F _{Low}	F _{High}	Typ	Typ	Output (1db comp.) Typ.	IP3 Typ	In	Out	Volt (V) Nom.	Current (mA) Max
SWPA-00210-4	20	1000	6.0	21.0	35.0	41.0	2.0	2.0	12-32	850

Maximum Ratings

- Operating Temperature -20°C - +75°C
- Storage Temperature -40°C - +100°C
- DC Voltage +36.0 VDC
- Input Power (no damage) +20 dBm



Typical Performance Data/Curves

SWPA-00210-4

Frequency (MHz)	Gain (dB)	VSWR		NF (dB)	P1dB (dBm)
		I/P (:1)	O/P (:1)		
20	21.6	1.96	1.73	5.1	35.5
160	21.1	1.80	1.46	2.1	33.6
300	21.2	1.28	1.33	2.3	35.3
440	21.1	1.51	2.06	2.4	36.9
580	20.7	1.96	2.46	2.6	36.7
720	21.8	1.45	1.51	2.8	35.4
860	22.1	1.56	1.22	2.9	35.1
1000	22.3	1.60	1.30	3.8	33.6

